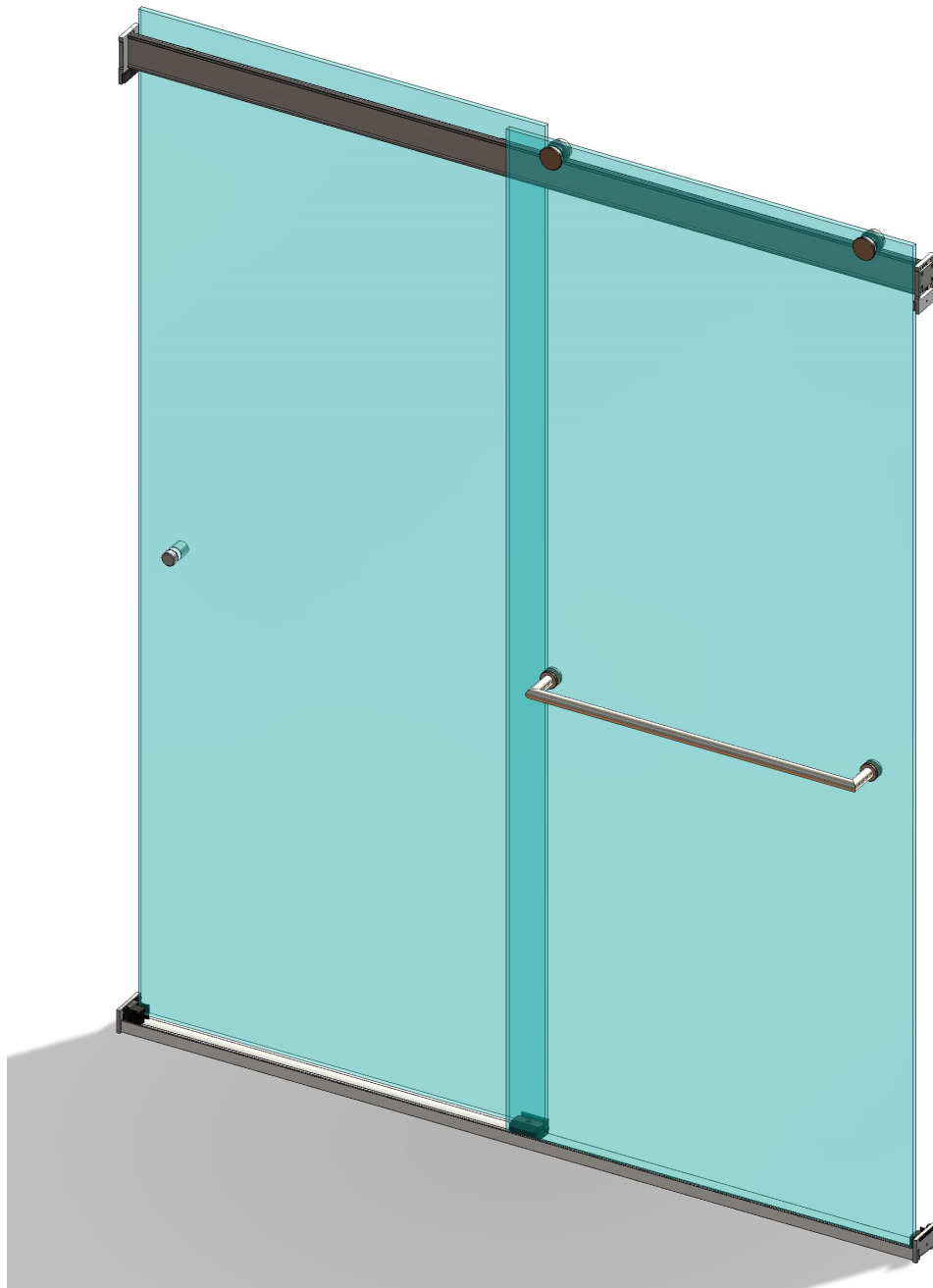


Frameless Bypass Slider

QCI-5329

3/8" or 1/4" Glass Bypass Slider with Exposed Rollers



Tools:

To install your New Shower Enclosure, you may need the following:

- Pencil
- Masking Tape
- Tape Measure
- 4' & 6' Levels
- #2 Phillips Screwdriver
- Drill
- 1/8" & 3/16" Drill Bit
- 3/16" Masonry Drill Bit
- Center Punch
- Files
- Hack Saw
- Caulk Gun
- Clear Silicone Caulk
- Suction Cups

Safety Notes:

- This unit is best installed by two people.
- Handle the glass panels carefully and protect the edges. Safety tempered glass is very resistant to breakage, but the sharp corners of the panels can damage tile and flooring surfaces.
- The glass can break if unequal pressure is applied during installation.
- Please wear safety glasses whenever drilling or cutting. When drilling holes in ceramic tile or marble, use a center punch and hammer to carefully break the glazed surface to prevent skidding when drilling.

NOTE: Tempered glass cannot be cut.

Installation Notes:

- A minimum of 1" thread engagement is required of all fasteners. Depending on the application the customer maybe required to supply the proper fasteners to ensure adequate engagement.
- Wall Jamb and Guide maybe installed using wall plugs where no backing is found.
- Use caution to not pierce plumbing or electric lines while installing door hardware.
- Cover the drain with tape prior to installation to prevent loss of small parts.
- Unpack your unit carefully and inspect for freight damage. Lay out and identify all parts using the instruction sheet as a reference. Before discarding the carton, check to see that no small hardware parts have fallen to the bottom of the box. If any parts are damaged or missing, refer to the description noted in the instructions when contacting your dealer for replacements.

Maintenance:

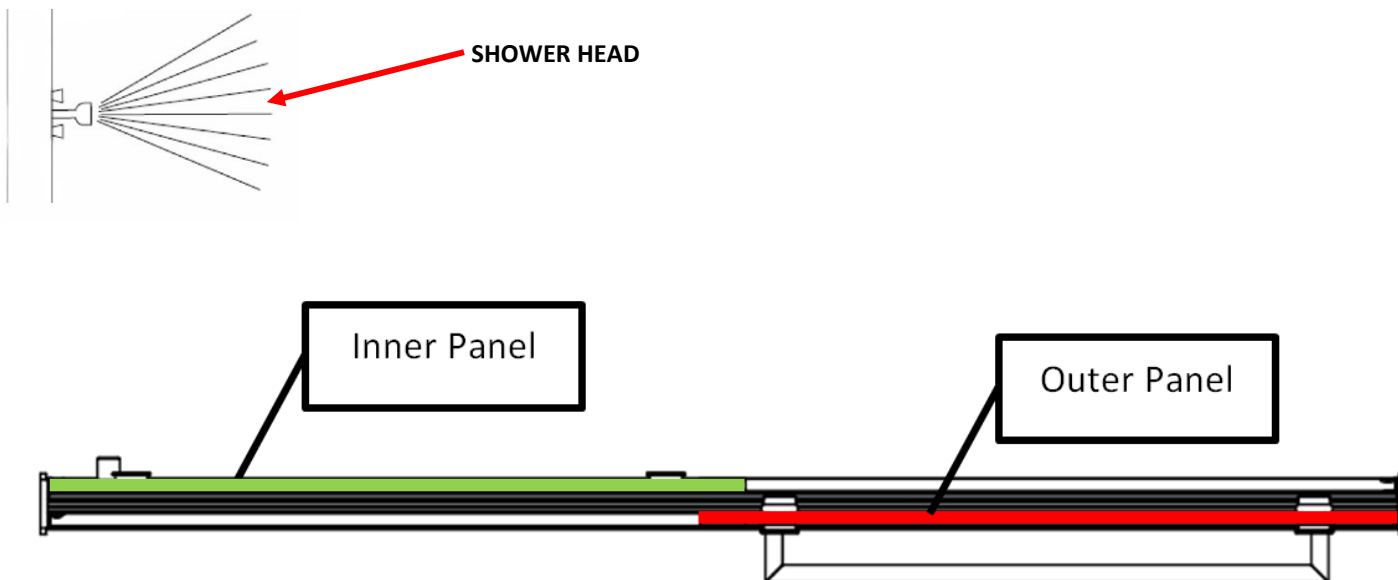
Two primary materials are used to manufacture your new shower enclosure: tempered glass and anodized aluminum. To assure a long lasting finish on the enclosure, wipe it down with a towel after each use.

For occasional, more concentrated cleaning efforts, we find that **Lysol® Non-Abrasive Bathroom Cleaner** works extremely well. Be sure that any over spray falling on the aluminum frame is rinsed thoroughly and dried. Many over-the-counter cleaners, if applied to the aluminum and left on, will harm the metal finish and cause permanent damage even though their directions indicate safe use on shower doors. Never use a scouring agent to clean the aluminum.

For units with **AquaglideXP** please use Maintain spray for the maintenance on the glass. Please contact customer service for details and to purchase the maintenance kit.

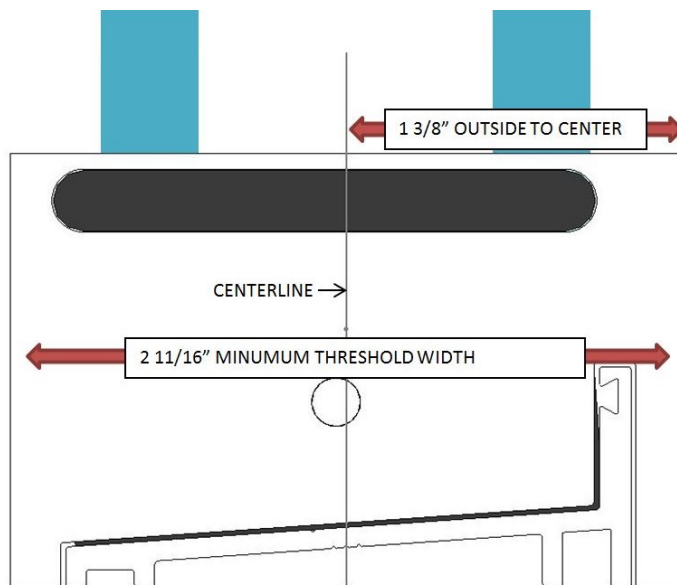
This unit may be installed with the inner panel to either side.

In order to minimize chances of water leakage, please install the inner panel closest to the shower head. Installation with the inner panel opposite of the shower head when closed leaves a gap between the panels that water may pass through.



MINIMUM THRESHOLD WIDTH

This unit requires a minimum 2 11/16" threshold width.



The unit requires 2 11/16" of threshold width to ensure the unit does not hang off of the edge. It is up to the installer to determine if the threshold is wide enough to drill into as to not damage the finished surface. Please take appropriate precautions to be sure tile surfaces are wide enough so that they are not broken during the installation process.

DRILLING HOLES

This unit maybe installed on many types of walls. Please reference this section to determine how to drill holes in your walls based on what material your walls are made of.

Fiberglass Enclosure: Use standard 1/8" drill bit to drill holes through the fiberglass wall material at marked locations. Place a small amount of silicone into each hole before installing the screw.

If the fiberglass enclosure will not hold the screw:

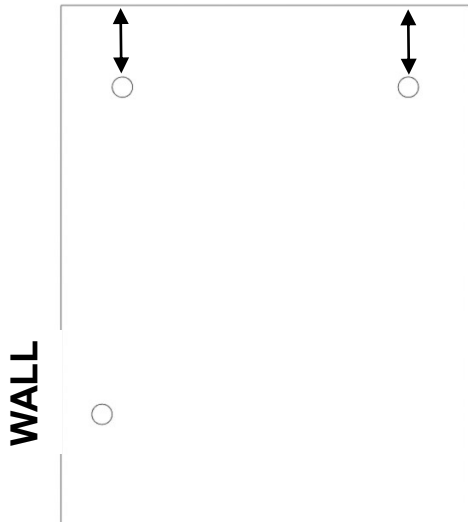
Drill a 3/16" hole at the marked location. Insert a small amount of silicone into each hole. Place a supplied blue wall plug into the hole. With a razor blade, carefully cut off the head of the wall plug so it is flush with the finished wall material.

Tile or Solid Surface *with* Blocking: Use a center punch at each marked location to prevent the drill from walking. Use a 3/16" masonry bit to drill through the finished wall material (tile and backer board) **ONLY**. Use a standard 1/8" drill bit to drill 1" deep pilot holes in the blocking. Insert a small amount of silicone in each hole before installing the screw. 1" thread engagement of screws in blocking is required. The customer maybe required to supply their own screws based on their finished wall material thickness.

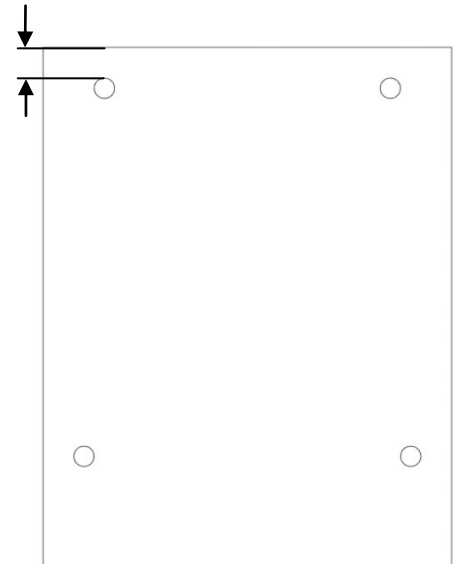
Tile or Solid Surface *without* Blocking: Use a center punch at each marked location to prevent the drill from walking. Use a 3/16" masonry bit to drill through the wall material. Insert a small amount of silicone into each hole. Place a supplied blue wall plug into the hole. With a razor blade, carefully cut off the head of the wall plug so it is flush with the finished wall material.

IDENTIFY GLASS PANELS

If the panels have the *Aquaglide XP* coating, there will be labels identifying the coated side. Install the panels with the coated side to the inside.



The **Inner Panel** has 2 mounting holes lower on the panel.



The **Outer Panel** has 2 mounting holes higher on the panel.

This unit may be installed with Out Of Square Conditions

Out of Square condition should be noted and measured before installation.

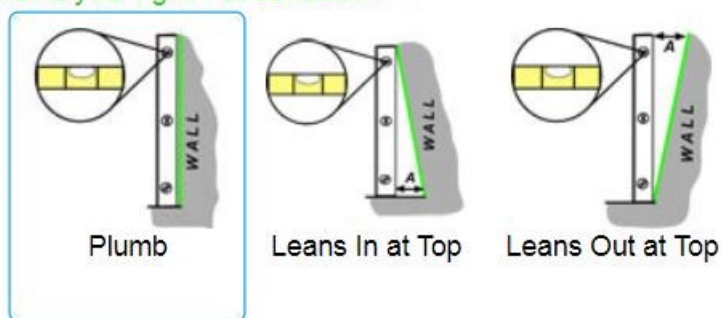
If ordering custom glass, it's recommended to request the glass cut out of square for wall out of plumb conditions and a metal filler if floor is out of level. This may help reduce the gap at the wall and floor.

The rollers can also be adjusted to further assist with alignment of the doors.

View Step 27 for more details on how to adjust the rollers.

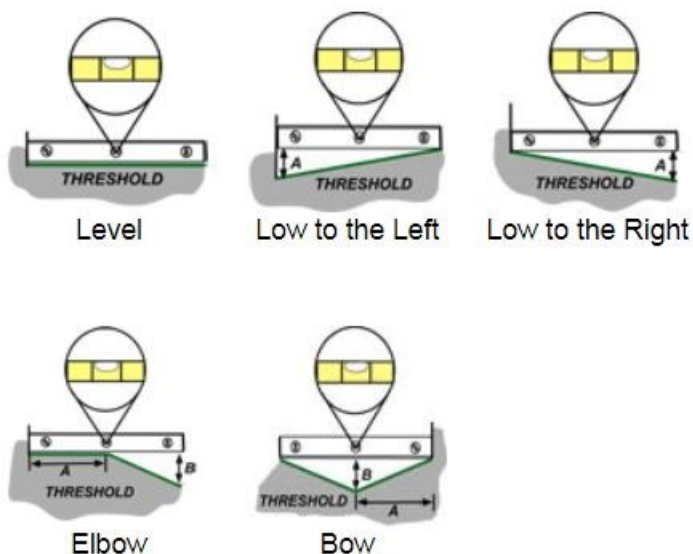
If ordering custom glass to be cut out of plumb, note direction of wall and distance from plumb line.

What is your right wall condition?*



If ordering a filler for floor out of level, note direction of floor and distance from plumb line.

Is threshold out of level low to the left or right?*

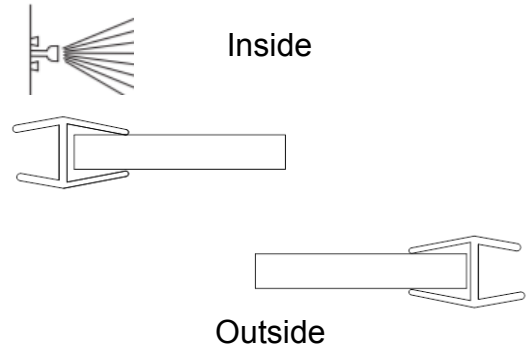
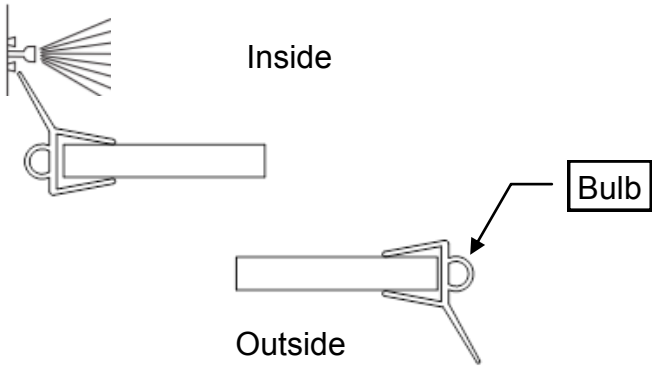


Strike Vinyl

In order to minimize chances of water leakage, please install both strike vinyl to the glass after installation. The recommended orientations are shown below with the top of the glass inline with the top of the vinyl. While the door is in its closed position, cut the vinyl to match the desire option below.
Option A- Cut vinyl to be between both the Header Cover and Track Cover
Option B- Cut vinyl to be above Track Cover and trim around Header Cover

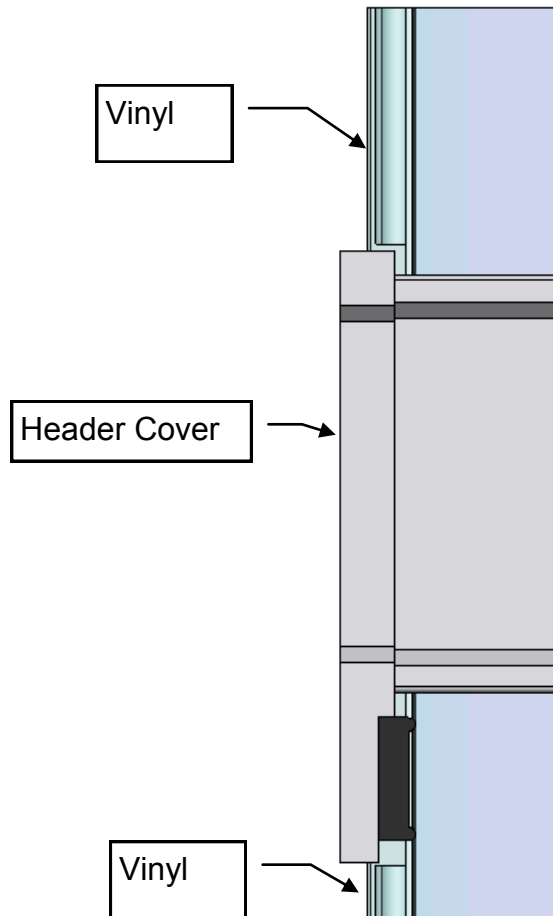
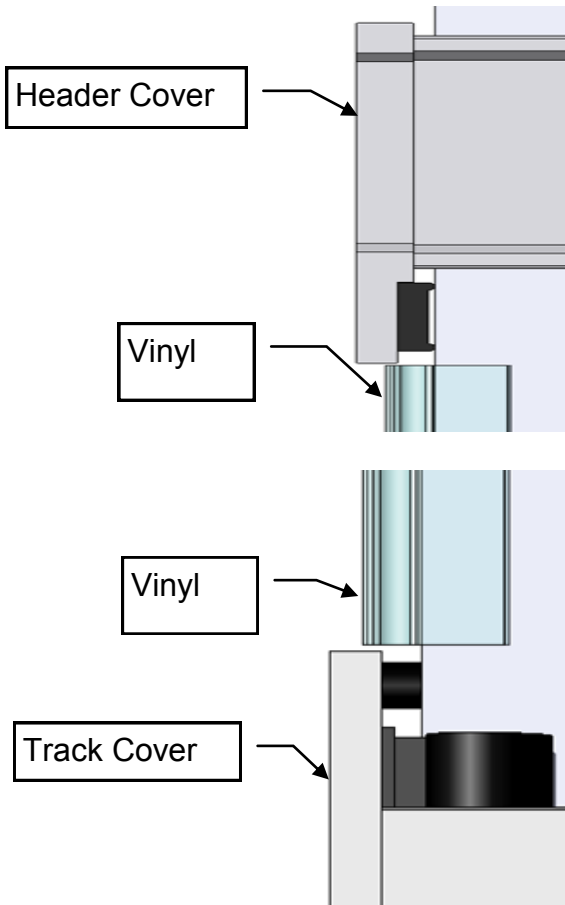
3/8" Glass

1/4" Glass



Option A

Option B

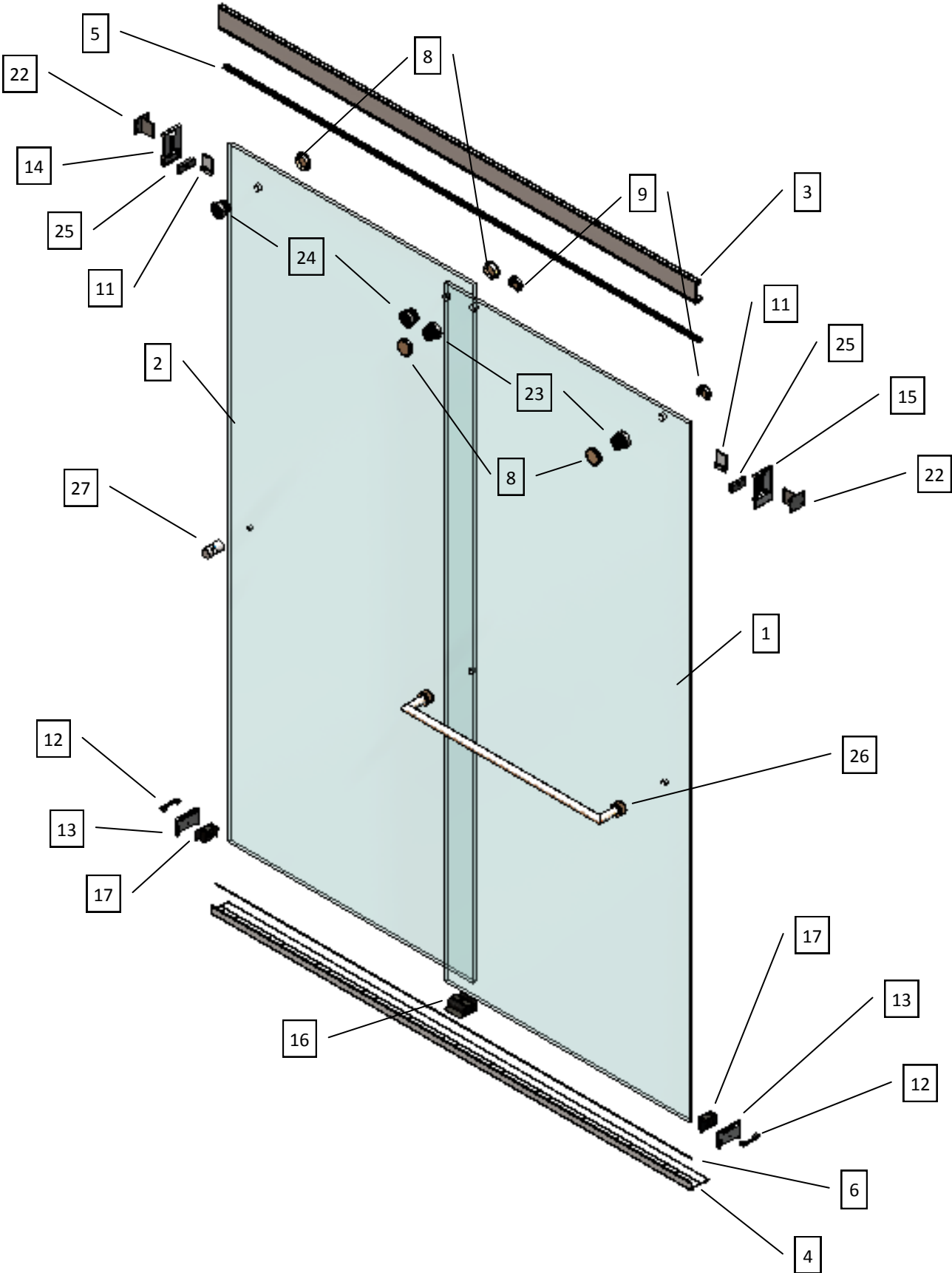


Parts List—3/8" Glass Exposed Roller Bypass Slider

ITEM NO.	NUMBER	DESCRIPTION	QTY.
1		GLASS PANEL, OUTER	1
2		GLASS PANEL, INNER	1
3	SC923	HEADER	1
4	SC927	TRACK	1
5	LV09350060XBK00	ANTI-JUMP RAIL	1
6	SCV190-67	SILENCER TUB TRACK, VINYL	1
7**	LV03550098XCL00	3/8" VINYL SEAL	2
	PPRTX01SV, OR, BN	PARTS PAK #1	
8	SC4250	CAP, FRONT	4
9	SC4251	CAP, BACK	2
10**	SCR48	M4 X 8 BRACKET SCREW	4
11	SC8964	BRACKET CLIP	2
12	SC8962	RUBBER INSERT	2
13	SC8961	TRACK COVER	2
14	SC8965	LEFT HEADER COVER	1
15	SC8966	RIGHT HEADER COVER	1
	PPRTX03XX	PARTS PAK #3	
16	SC8956	BOTTOM GUIDE	1
17	SC8973	WALL GUIDE	2
18**	SCR46	#8 X 2-1/2" WALL GUIDE SCREW	2
19**	SCR47	#8 X 1-1/8" GUIDE SCREW	1
20**	SC4106	PLASTIC WALL PLUG	10
21**	SCR10	#8 X 1-1/2 WALL SCREW	10
22	SC8963	SHORT BRACKET	2
23	SC4249T	ROLLER, TOP	2
24	SC4249B	ROLLER, BOTTOM	2
25	SC4259	BUMPER	2
	AVAILABLE HARDWARE		
26	LUXTS-0XX	TOWEL BAR	1
27	KBCS-50AI	KNOB	1

** Part is not shown

Exploded View—3/8" Glass Exposed Roller Bypass Slider

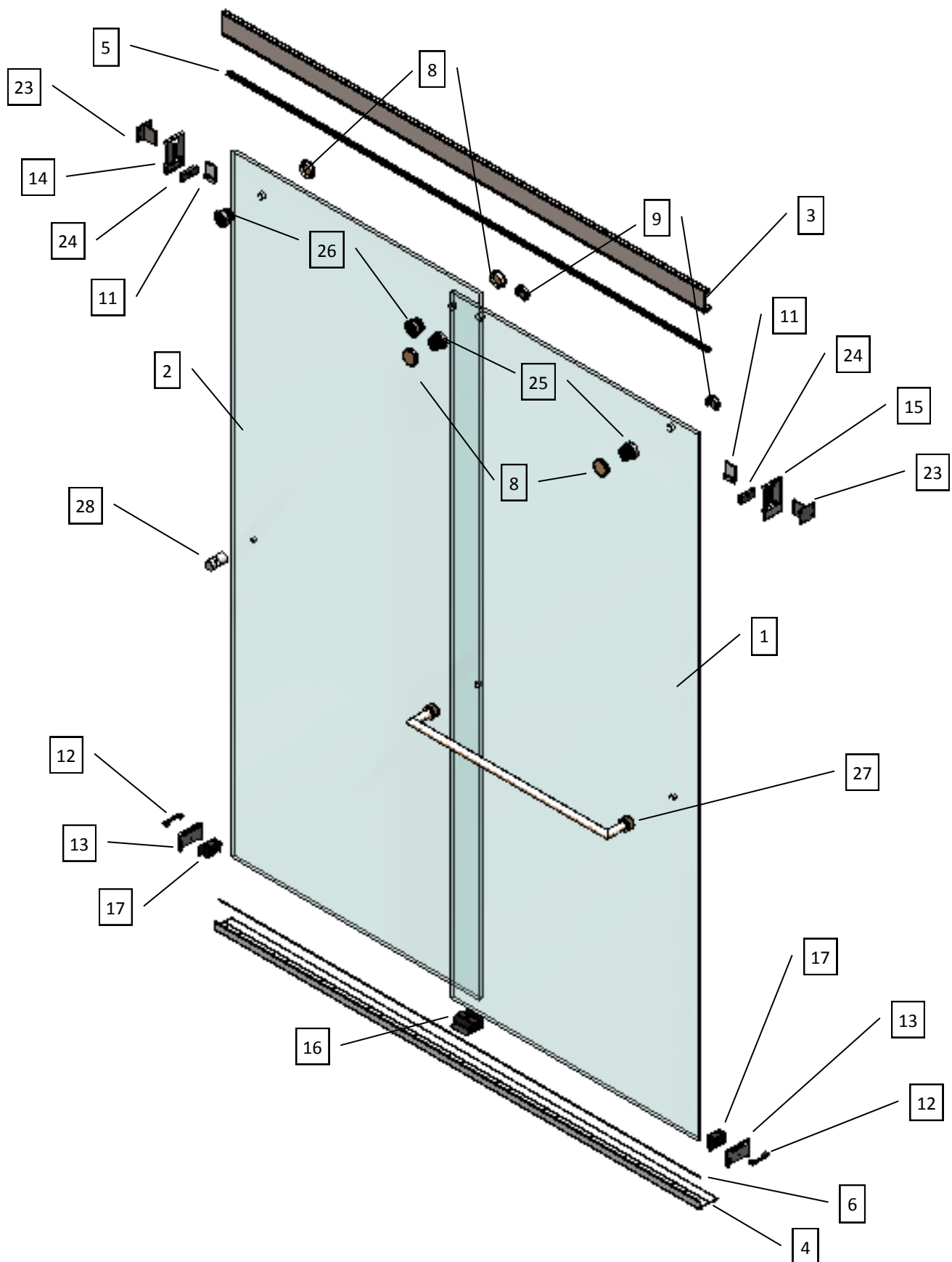


Parts List—1/4" Glass Exposed Roller Bypass Slider

ITEM NO.	NUMBER	DESCRIPTION	QTY.
1		GLASS PANEL, OUTER	1
2		GLASS PANEL, INNER	1
3	SC923	HEADER	1
4	SC927	TRACK	1
5	LV09350060XBK00	ANTI-JUMP RAIL	1
6	SCV190-67	SILENCER TUB TRACK, VINYL	1
7**	SCV911	1/4" VINYL SEAL	2
	PPRTX01SV, OR, BN	PARTS PAK #1	
8	SC4250	CAP, FRONT	4
9	SC4251	CAP, BACK	2
10**	SCR48	M4 X 8 BRACKET SCREW	4
11	SC8964	BRACKET CLIP	2
12	SC8962	RUBBER INSERT	2
13	SC8961	TRACK COVER	2
14	SC8965	LEFT HEADER COVER	1
15	SC8966	RIGHT HEADER COVER	1
	PPRTX02XX	PARTS PAK #2	
16	SC8955	BOTTOM GUIDE	1
17	SC8972	WALL GUIDE	2
18**	SCR46	#8 X 2-1/2" WALL GUIDE SCREW	2
19**	SCR47	#8 X 1-1/8" GUIDE SCREW	1
20**	SC5118	M5-0.8 X 25	2
21**	SCR10	#8 X 1-1/2 WALL SCREW	10
22**	SC4106	PLASTIC WALL PLUG	10
23	SC8963	SHORT BRACKET	2
24	SC4259	BUMPER	2
25	SC4249T	ROLLER, TOP	2
26	SC4249B	ROLLER, BOTTOM	2
	AVAILABLE HARDWARE		
27	LUXTS-0XX	TOWEL BAR	1
28	KBCS-50AI	KNOB	1

** Part is not shown

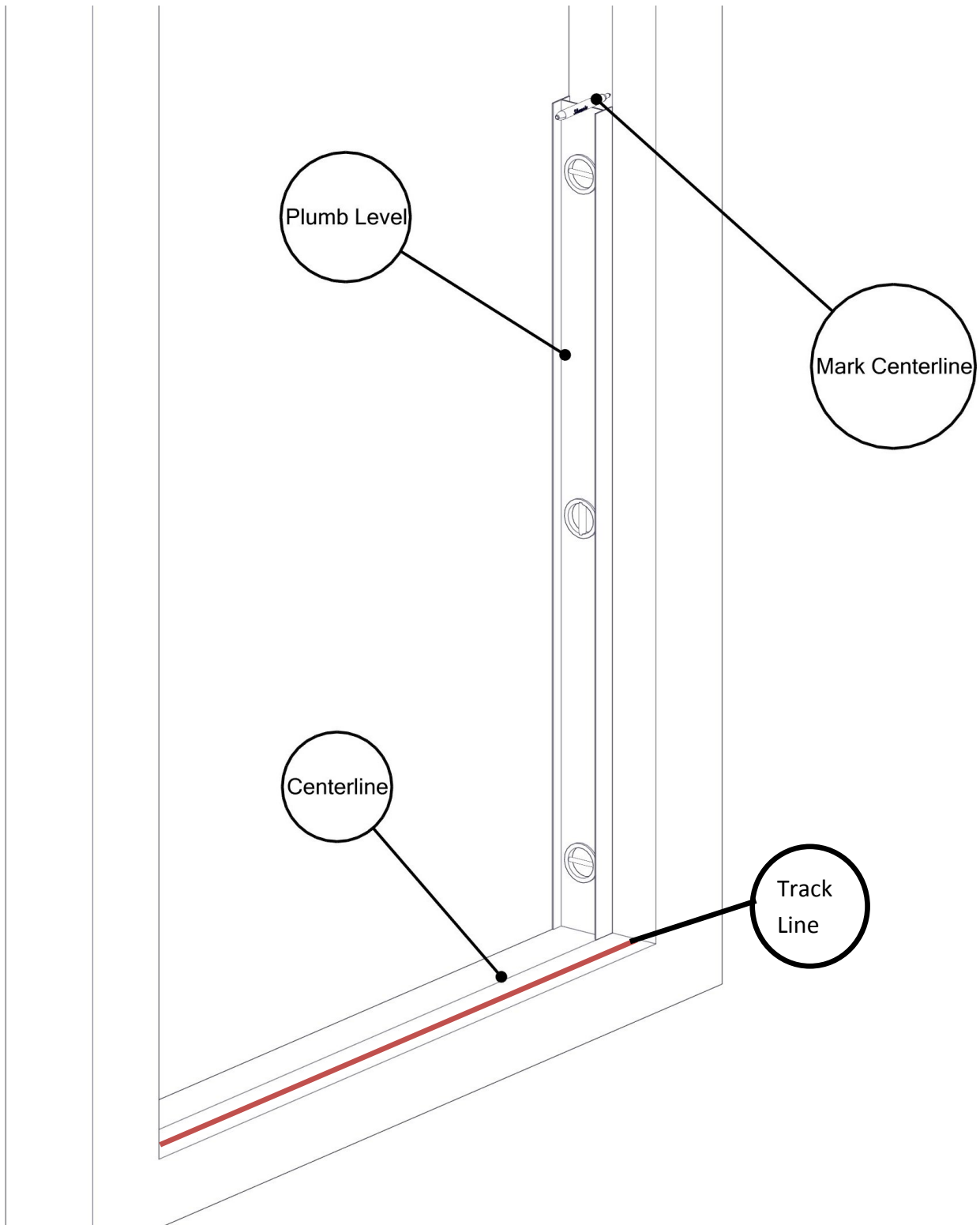
Exploded View—1/4" Glass Exposed Roller Bypass Slider



1 Determine location of the unit centerlines on the threshold.

Mark a continuous centerline on both walls starting where the threshold centerline meets the wall. Use a level to ensure the wall centerline is plumb and straight. The wall centerline should be a minimum of the unit height from the threshold.

Mark the Track Line on the threshold 1 3/16" from the Centerline towards the outside of the shower.



2 Subtract 1 7/8" from the Unit Height. **[UH] - 1 7/8" = _____" [BH]**

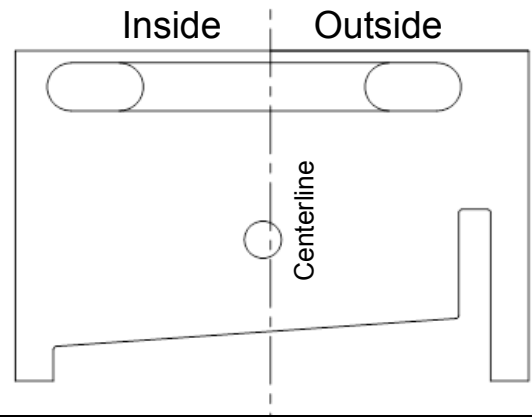
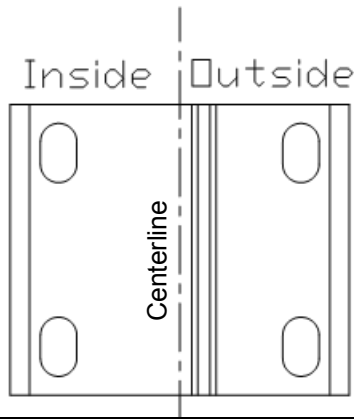
On each wall, mark a horizontal line up from the base at the Bracket Height **[BH]**. This line will represent the top of the **Short Bracket (SC8963)**.

If floor out of level is present, Unit Height references the wall on the high side. The Bracket Height on the low side wall will be the above value calculated added to the slope on the floor from wall to wall.

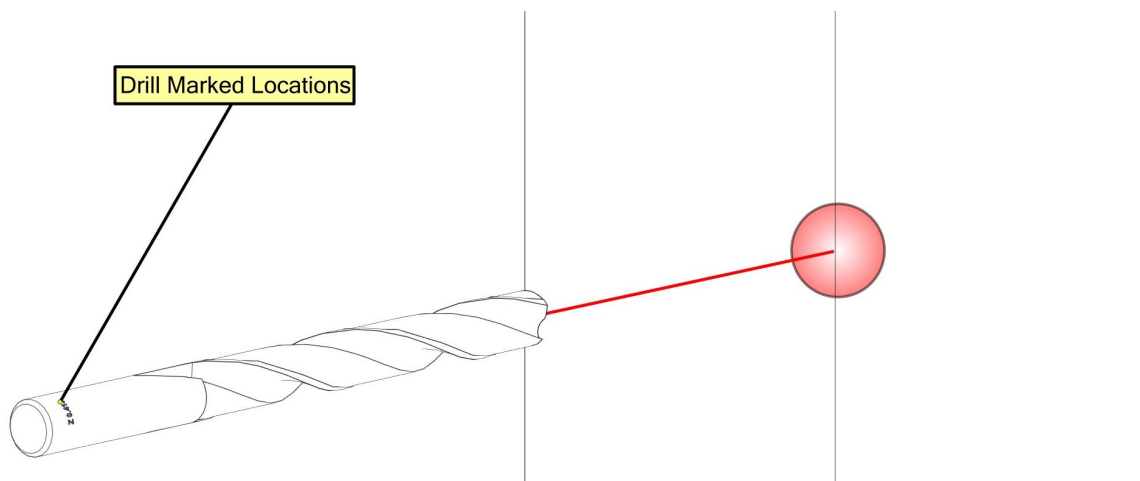
3 Hole template examples for the **Short Bracket** and **Track Cover** are shown below. For the Short Bracket template, align both the dashed centerline and top of the bracket with the marks drawn on the wall. For the Track Cover template, align the centerline with the marks drawn on the threshold and wall.

Verify that "Inside" is facing towards the inside of the shower and "Outside" is facing towards the outside of the shower. Tape the diagrams to the wall as a drill guide or mark the hole locations.

If filler is present, raise the Track Cover template on the low side to be level with the high side. Templates cutouts located on last page.

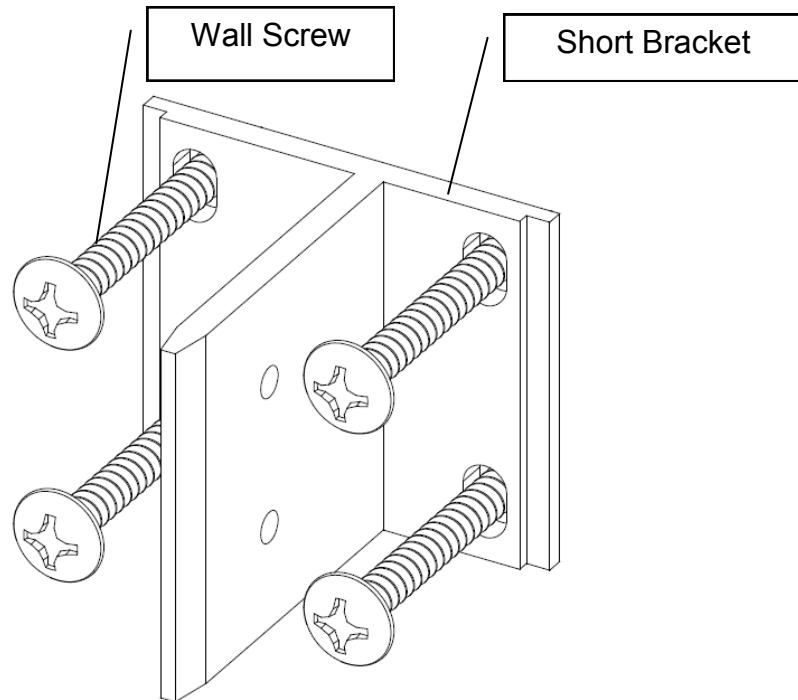


4 Drill the marked locations. Drill holes as described on page 4

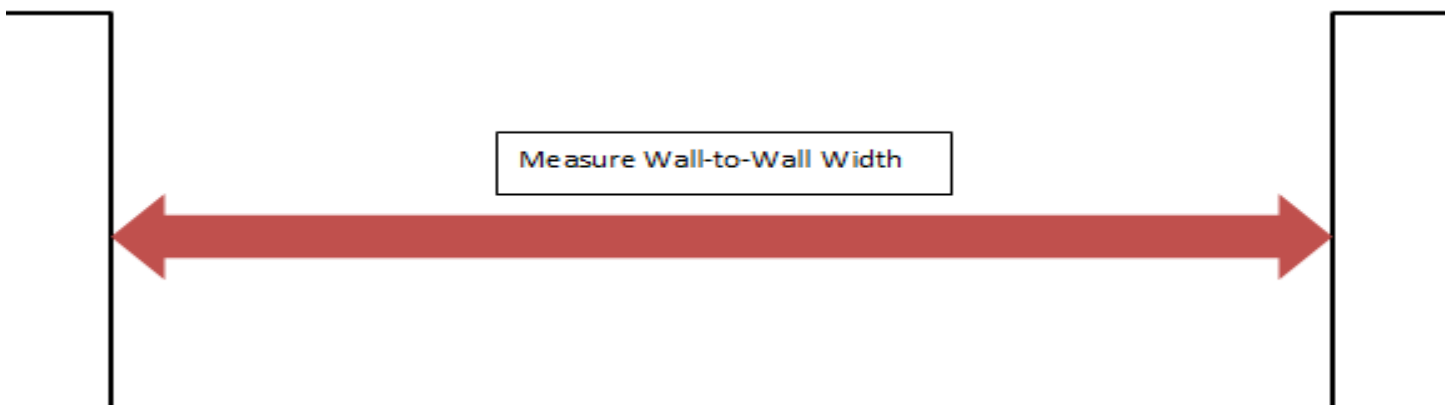


5 Set the **Short Brackets** in place. Secure with 8 **Wall Screws (SCR10)**.

*If required, be sure to install **wall plugs** before securing **short brackets**. See page 4*



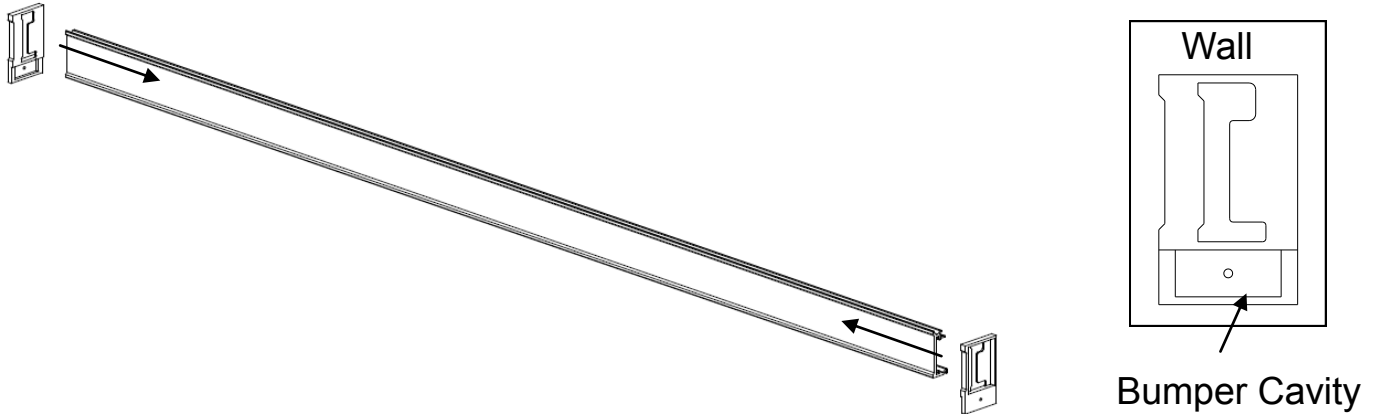
6 Measure the Wall-to-Wall distance at the unit height.



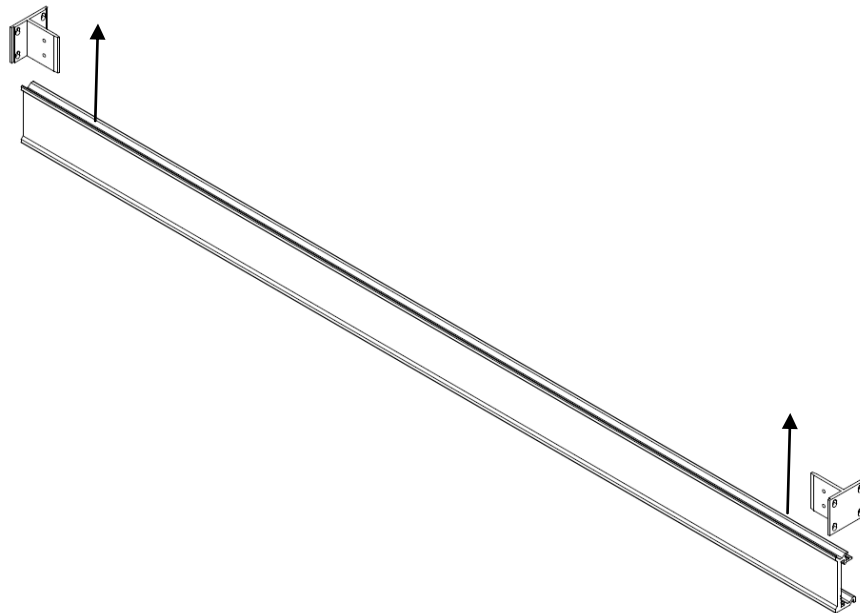
7 Subtract 3/8" from the measurement [T]. $[T] - 3/8" = \underline{\hspace{2cm}}$ [HC]
Cut the **Header** to length [HC].

8 Slide the **Header Covers (SC8965 & SC8966)** on the respective sides of the header towards the center.

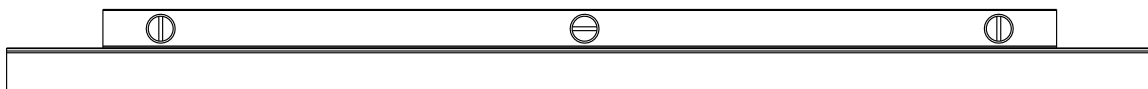
The cavity for the bumper should be facing away from the wall



9 Lift & Drop the **Header** over the mounted **Short Brackets**.

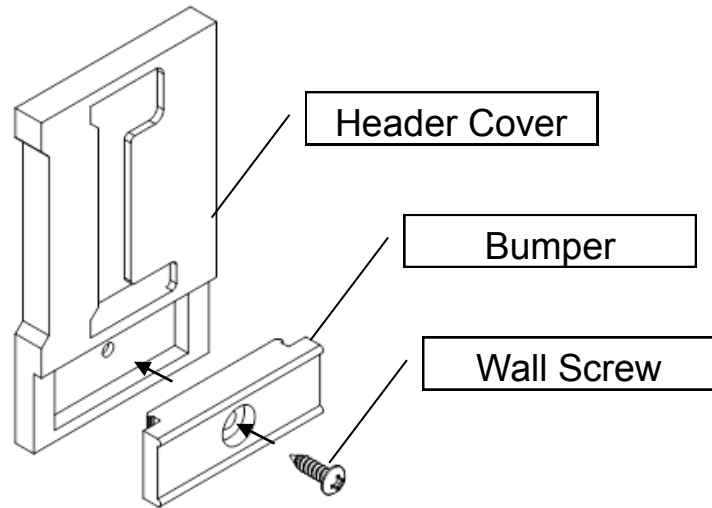


10 Use a 4' level to check the **Header Assembly** for level. To level the header, adjust the **Short Bracket** using the slots.



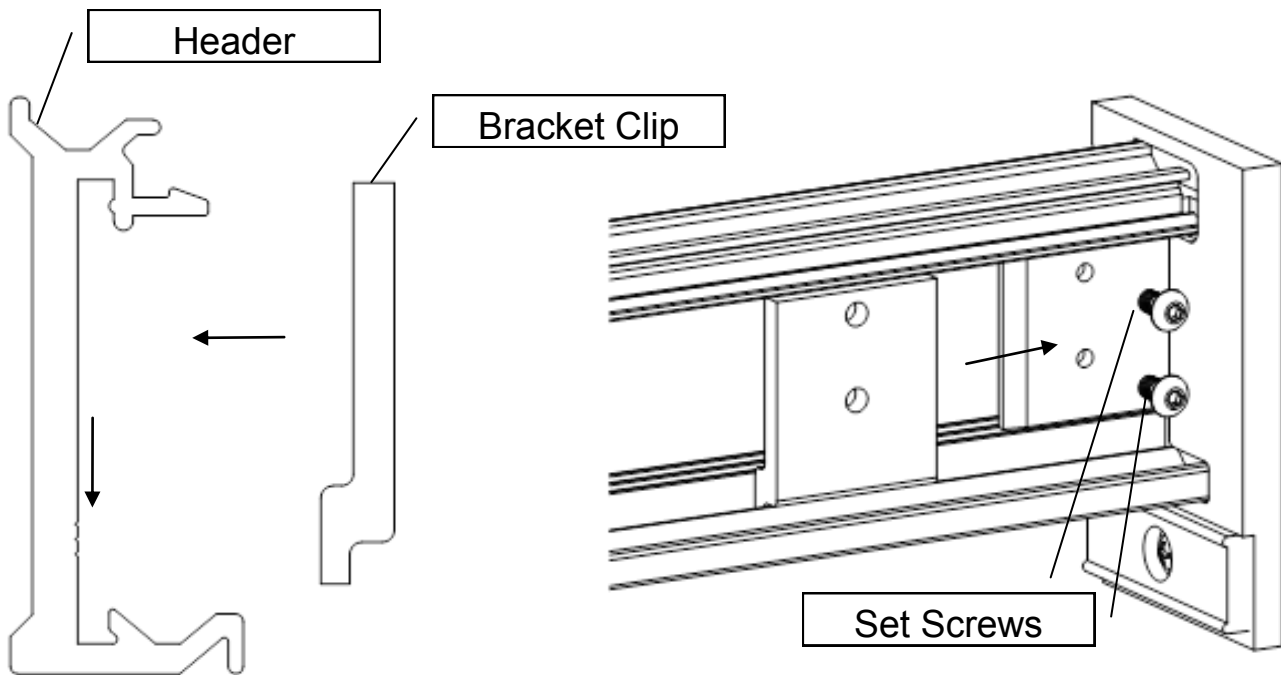
11 Slide the **Header Covers** to their corresponding wall. Set the **Bumper (SC4259)** into the bumper cavity.

Secure to the wall with **Wall Screws**.



12 Set both **Bracket Clips (SC8964)** into the **Header**. Slide and mount each clip over the **Short Brackets**.

Secure using **Set Screws (SCR48)**.



13 Measure the **Threshold Width [TW]**: _____

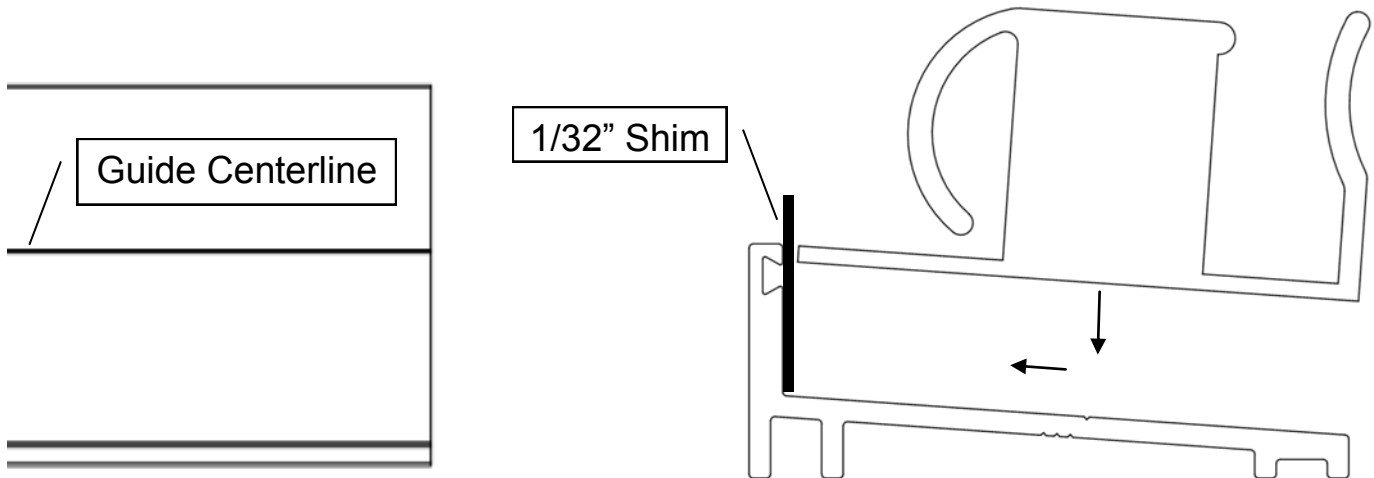
SUBTRACT 1/8"

Cut the **Curb Length [CL]** to: _____

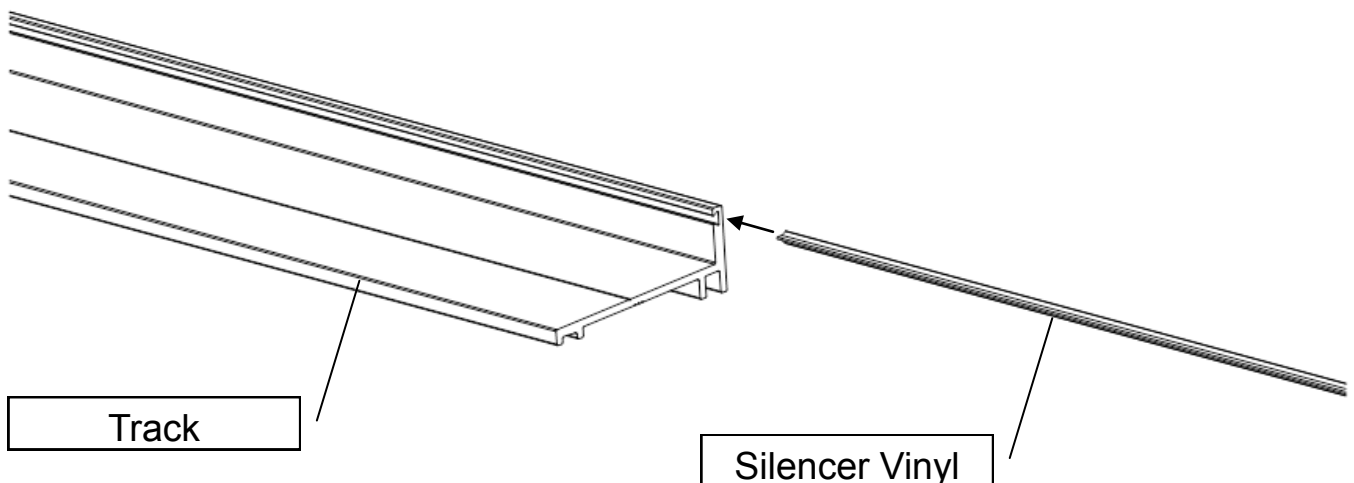
SUBTRACT 1/2"

Cut the **Silencer Vinyl** to: _____

14 Measure and mark the center of the **Track** on the guide centerline. Use a 1/32" shim, thickness of a credit card, between the track and guide. Press the **Guide** against the shim and mark the hole on the track. Predrill 1/8" hole for guide.



15 If the **Silencer Vinyl (SCV190)** was not already inserted, slide the **Silencer Vinyl** into the **Track (SC927)**. Trim to length.

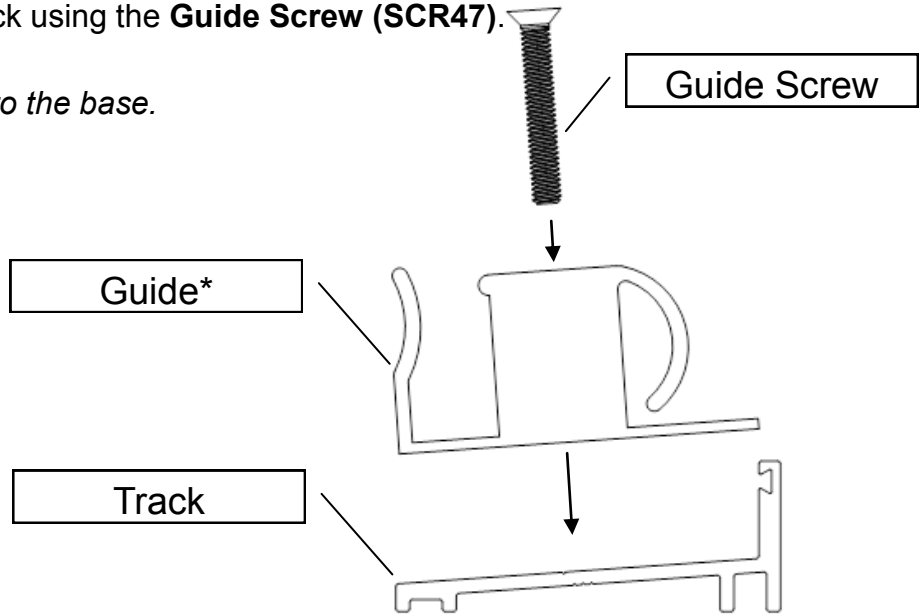


16 Mount the **Guide** to the **Track** using the **Guide Screw (SCR47)**.

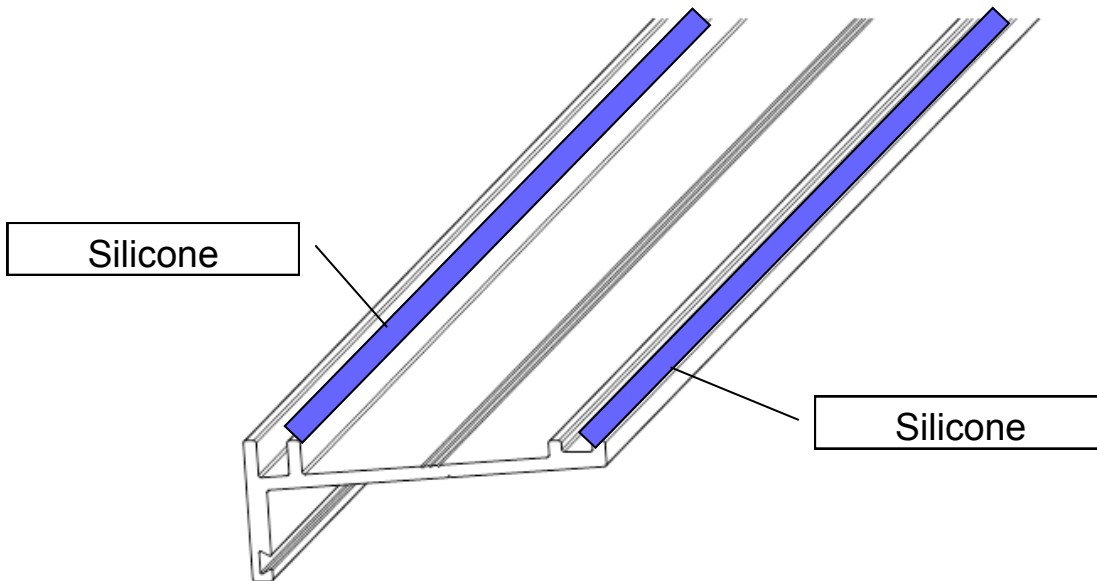
Flat tip is used to avoid drilling into the base.

***3/8" Guide (SC8956)**

***1/4" Guide (SC8955)**

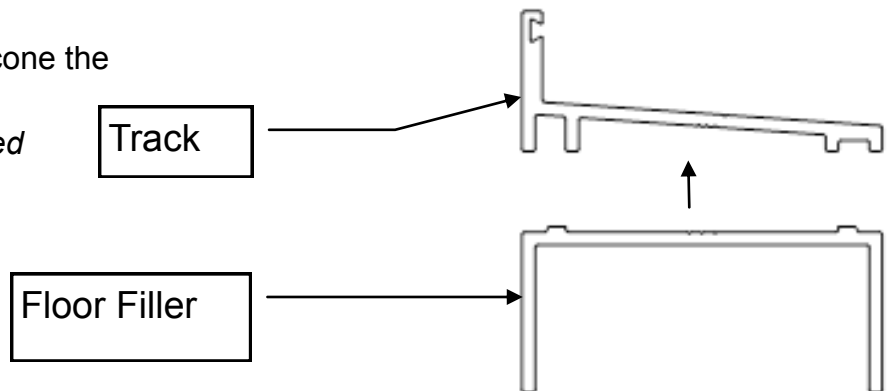


17 Apply a 3/16" bead of silicone in the two grooves of the bottom side of the **Track** for the entire length of the track.



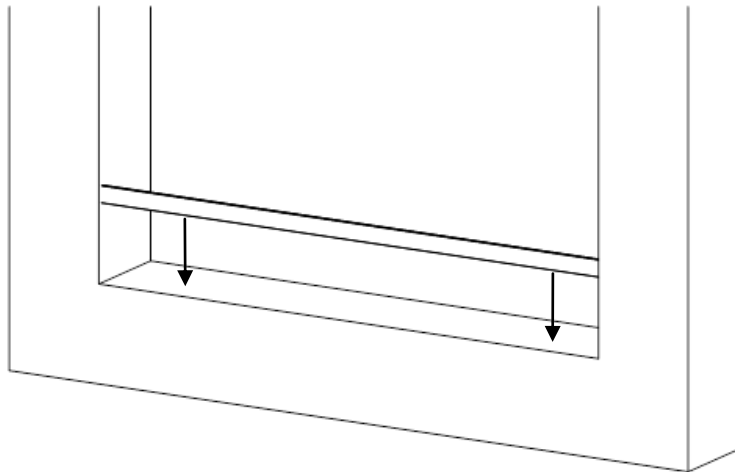
*If a **Filler (SC891)** is present, Silicone the **Track** to the filler as shown.

Verify the filler is correctly orientated before installing.

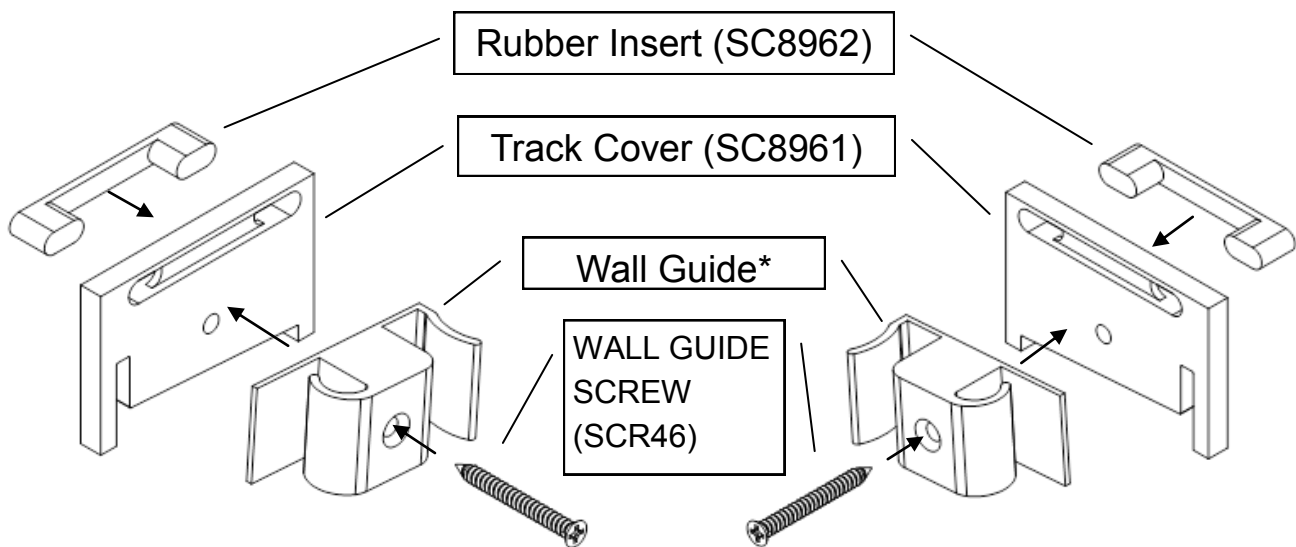


18 Carefully put the **Track** into place on the threshold. Align the front of the **Track** with the Track Line.

Track Line should be 1 3/16" away from the center line.



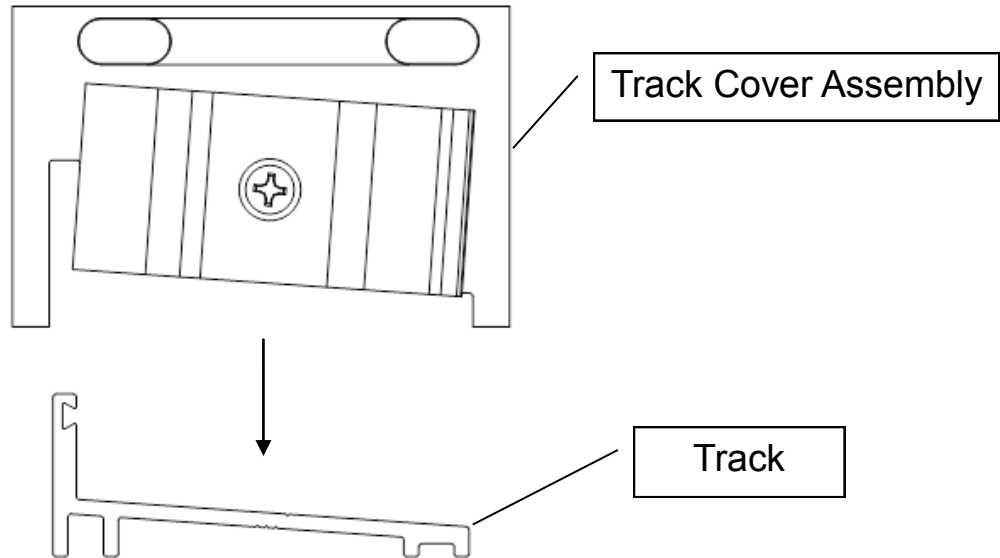
19 Assemble the **Track Cover** for each side.



***3/8" Wall Guide (SC8973)**

***1/4" Wall Guide (SC8972)**

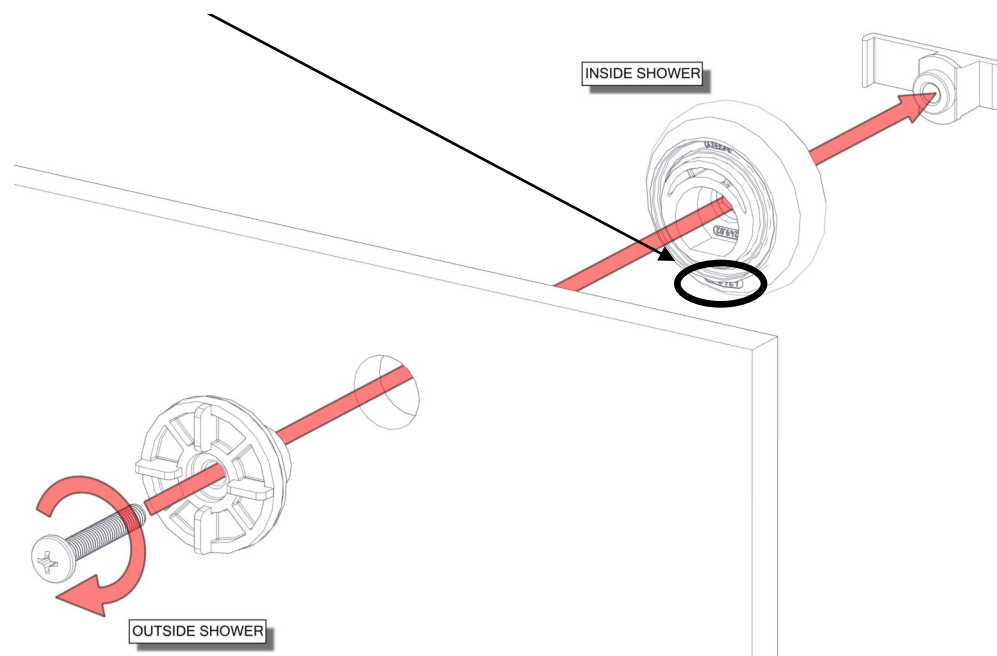
20 Slide the **Track Cover** assembly over the **Track** and against each wall. Mount the assembly to the wall.



21 Install the rollers on the outer panel. The rollers will be on the inside of the shower.

- The rollers are mounted to adjustable cams. Install them with the rollers at the lowest position.
- Temporarily install the anti-jumps parallel to the floor.
- Only snug the screws for now.

NOTE: There are small part numbers on each part of the roller. All of them will face the glass.



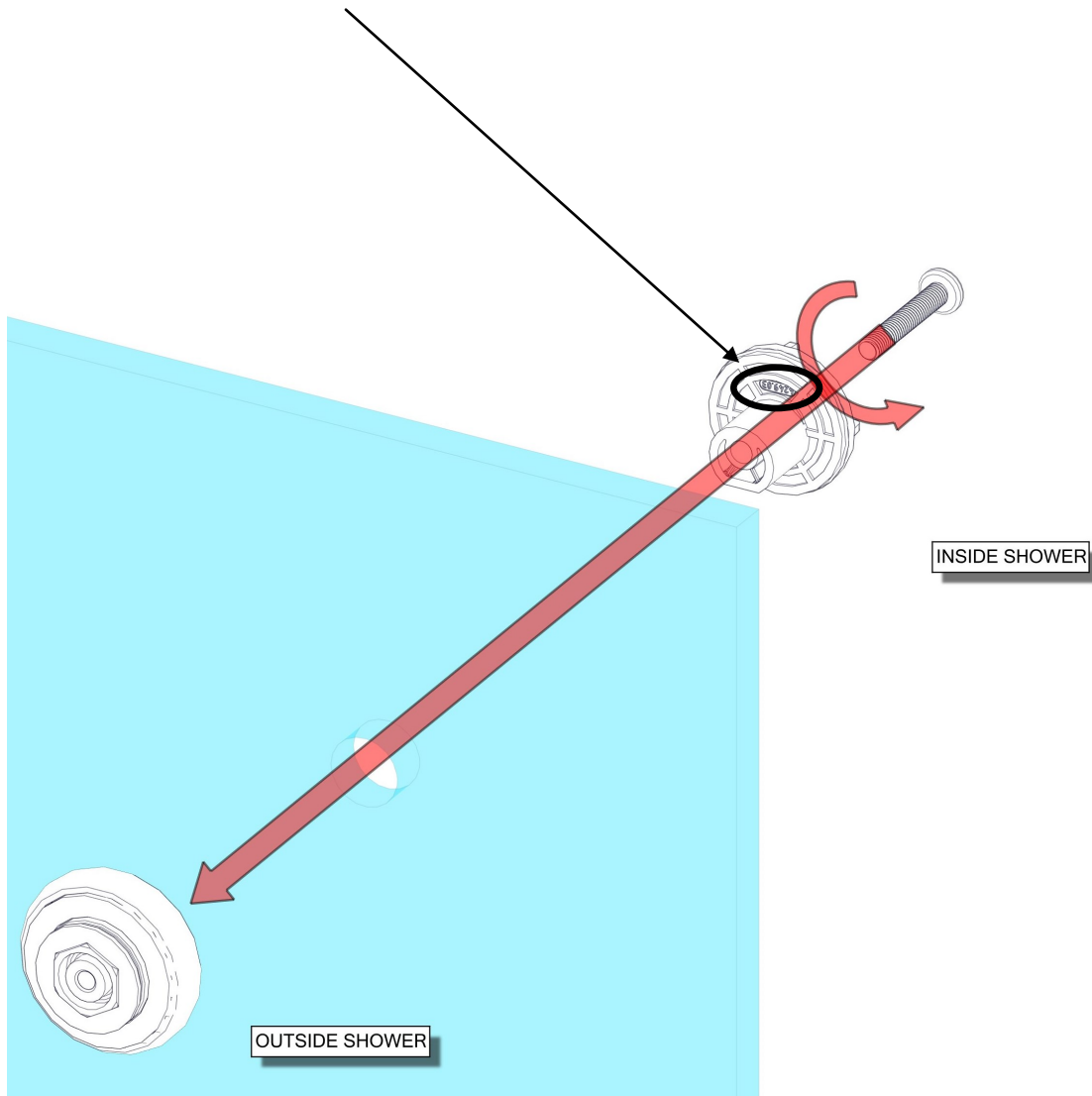
If using 3/8" glass continue to step 22A, if using 1/4" glass continue to 22B

22A Install the rollers on the inner panel. The rollers will be on the outside of the shower.

-The rollers are mounted to adjustable cams. Install them with the rollers at the lowest position.

-Only snug the screws for now.

NOTE: There are small part numbers on each part of the roller. All of them will face the glass.



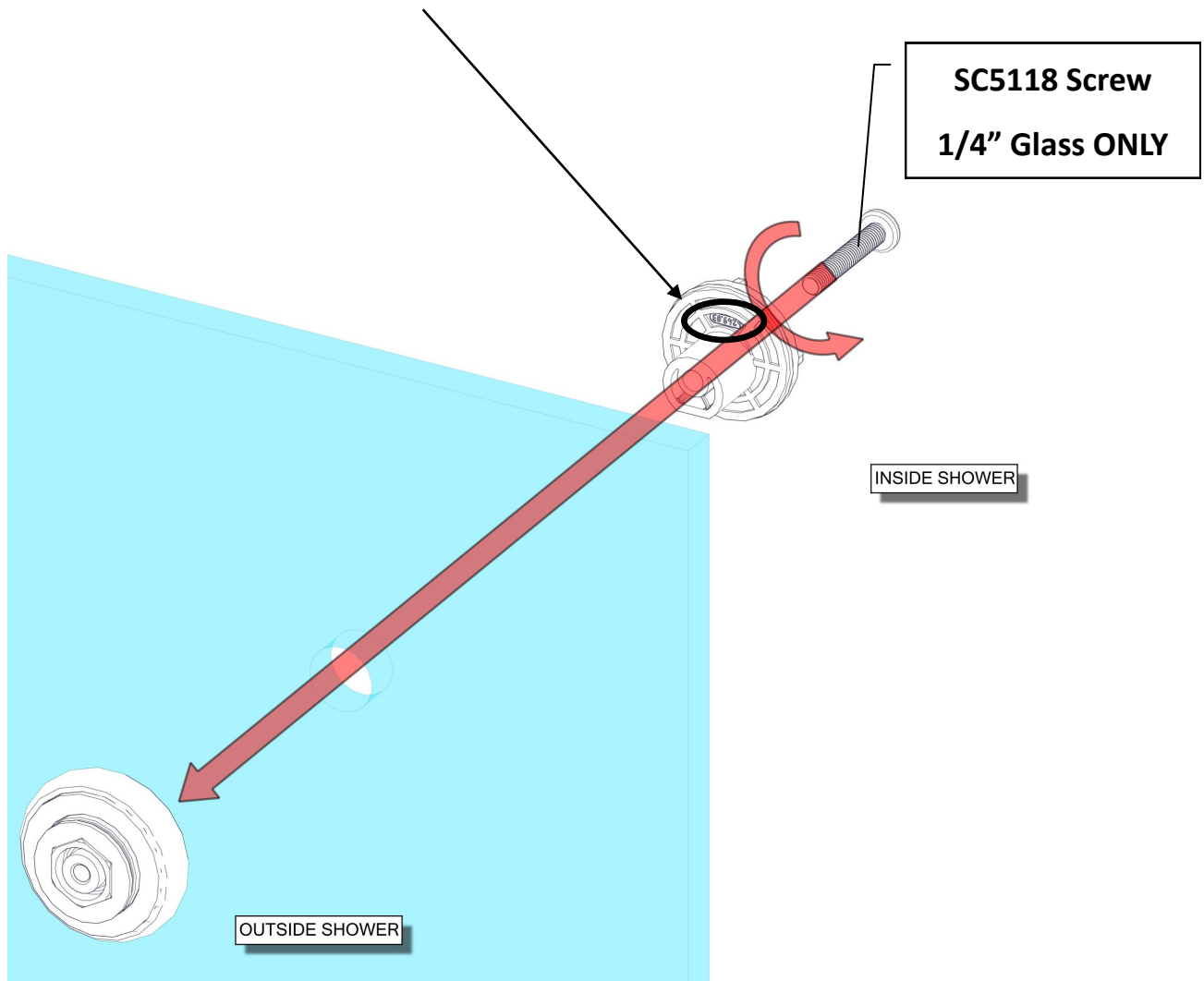
Continue on to step 23

22B Install the rollers on the inner panel. **MAKE SURE TO REPLACE THE INNER ROLLER SCREW WITH THE SC5118 Screw.** The rollers will be on the outside of the shower.

-The rollers are mounted to adjustable cams. Install them with the rollers at the lowest position.

-Only snug the screws for now.

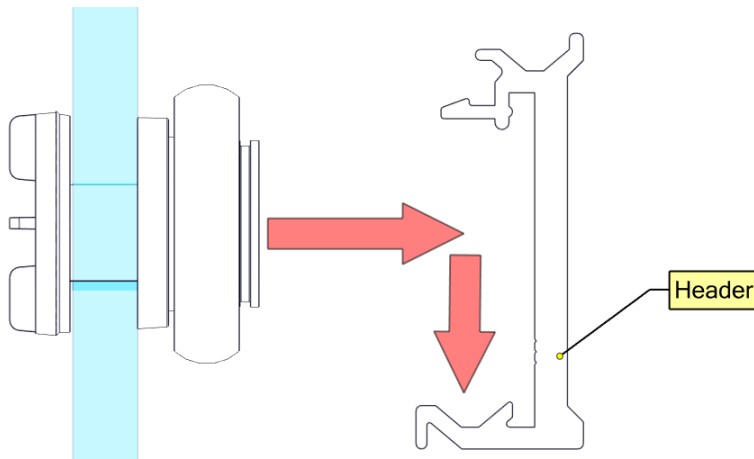
NOTE: There are small part numbers on each part of the roller. All of them will face the glass.



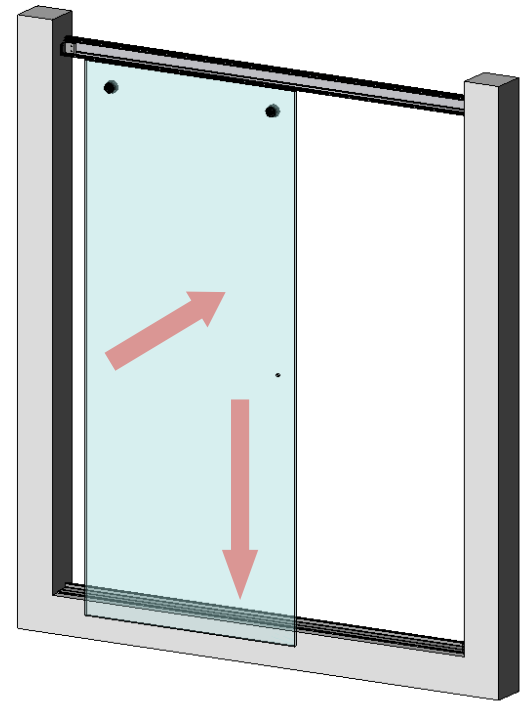
23 To prevent scratching the header during glass installation, apply masking tape to the front face of the header.

24 Lift the **Inner Panel Assembly** into place and be sure the rollers are in the track and the glass is in the guide. Slide the **Panel** to 1 wall. It is easiest to set the glass near the middle of the header.

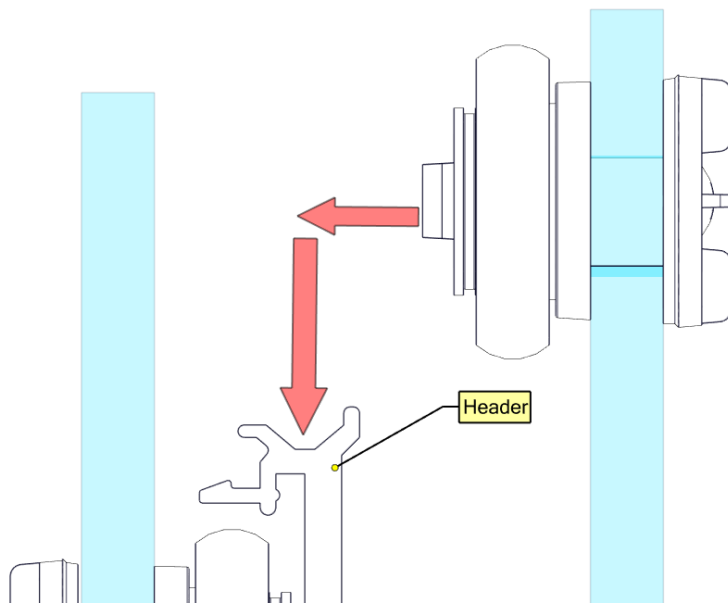
The glass is not secure yet. Do not leave unattended.



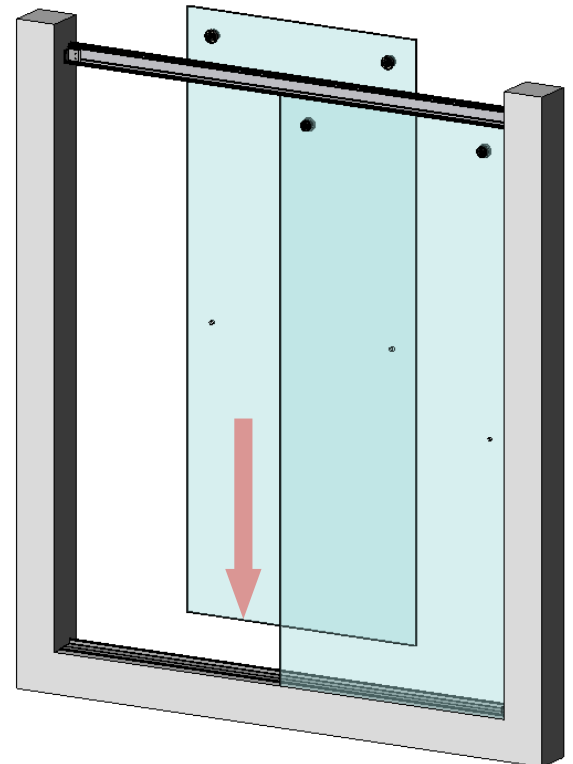
Side View



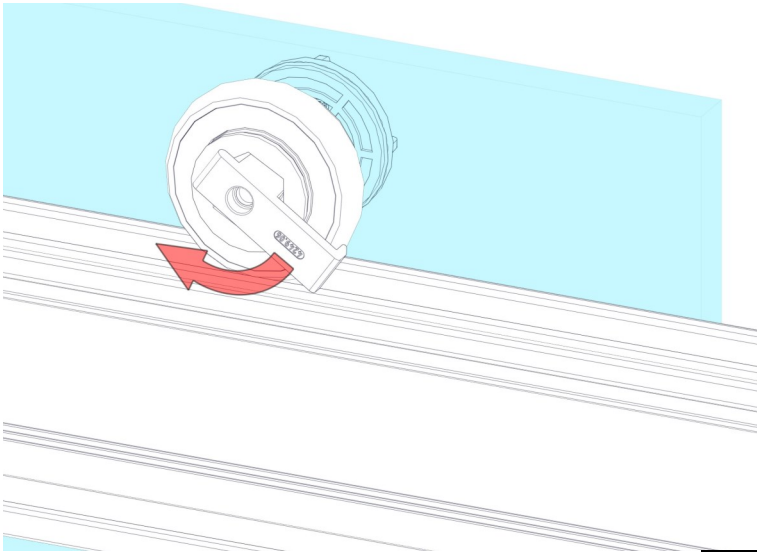
25 Lift the **Outer Panel Assembly** into place. Set the rollers in their grooves on the top of the header. Make sure the glass is inside the lip on the track.



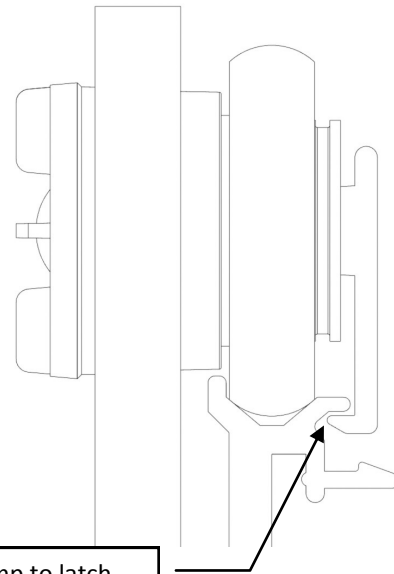
Side View



26 Slightly loosen the screws in both **Outer Panel Roller Assemblies**. Turn the **Anti-Jump** to vertical to latch them to the **Header Assembly**. It may be necessary to press the **Door Assembly** towards the header at the roller locations. Retighten the screws after adjusting the **Anti-Jump**.

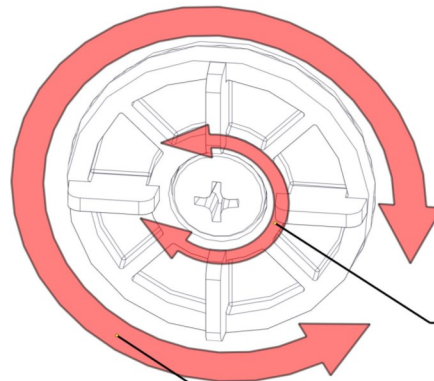


View from Inside



Adjust the Anti-Jump to latch seat under the lip on the header

27 Carefully move each panel to its closed position. As required, slightly loosen the screws in each roller to adjust each panel. The panels should contact both bumpers on the wall they close against. After adjustment for gaps at the walls, final tighten the screws in each roller.

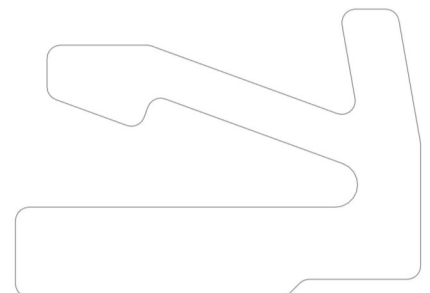


Loosen Screw. Tighten after adjustment

Turn Adjuster to lift or lower roller

28 Header Cut Length [HC]: _____" From STEP 7
Subtract : 1/2"
Anti Jump Length [AJ]: _____"

Cut the **Anti-Jump Vinyl** to length [AJ]. Then cut **Anti-Jump Vinyl** in half to make 2 pieces of equal length.

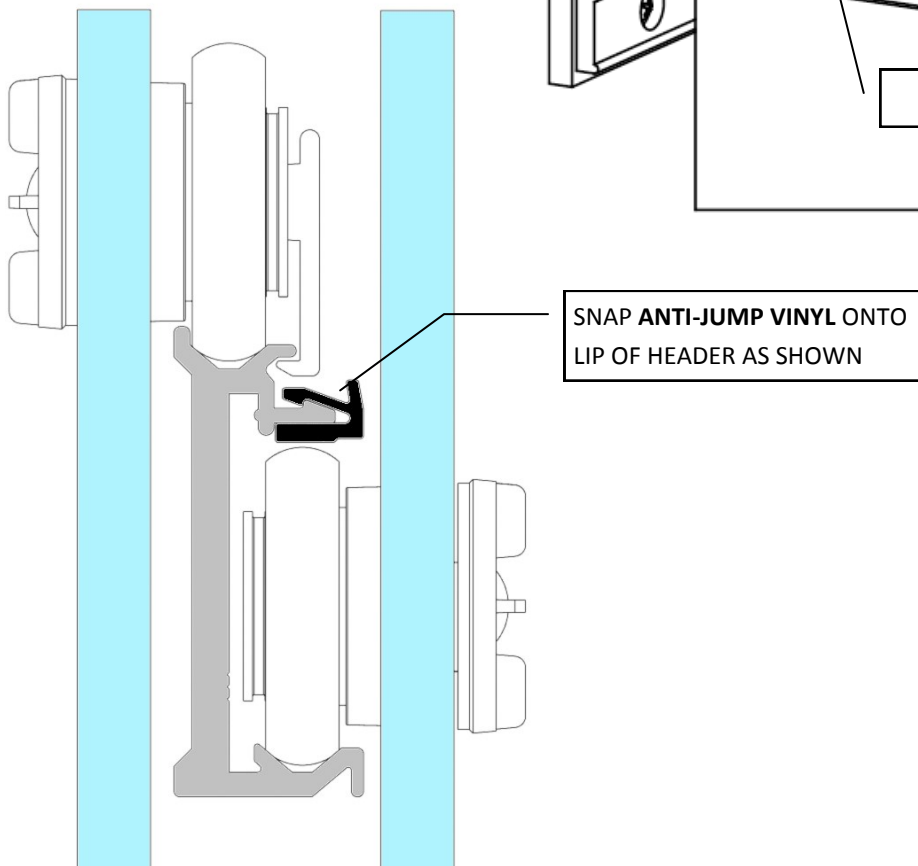
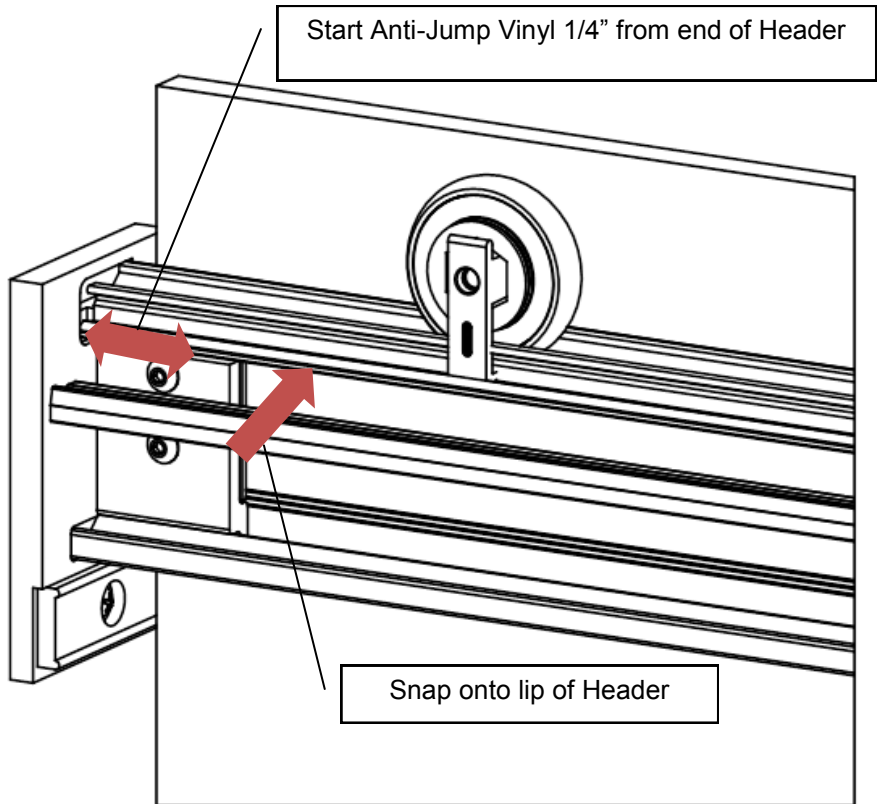


29 Push the inner panel to 1 wall.

Slide 1 piece of **Anti-Jump Vinyl** behind the inner panel.

Near the other wall, begin snapping the **Anti-Jump Vinyl** onto the **Header**. For best results, leave 1/4" between the end of the **header** and the **Anti-Jump Vinyl**.

Continue snapping the vinyl onto the header towards the center of the unit.



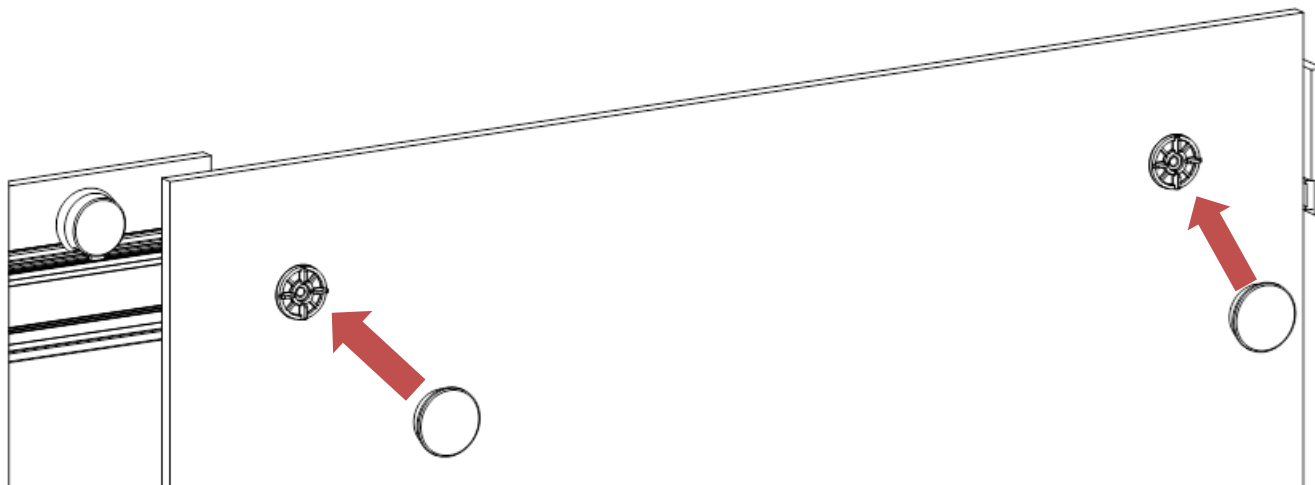
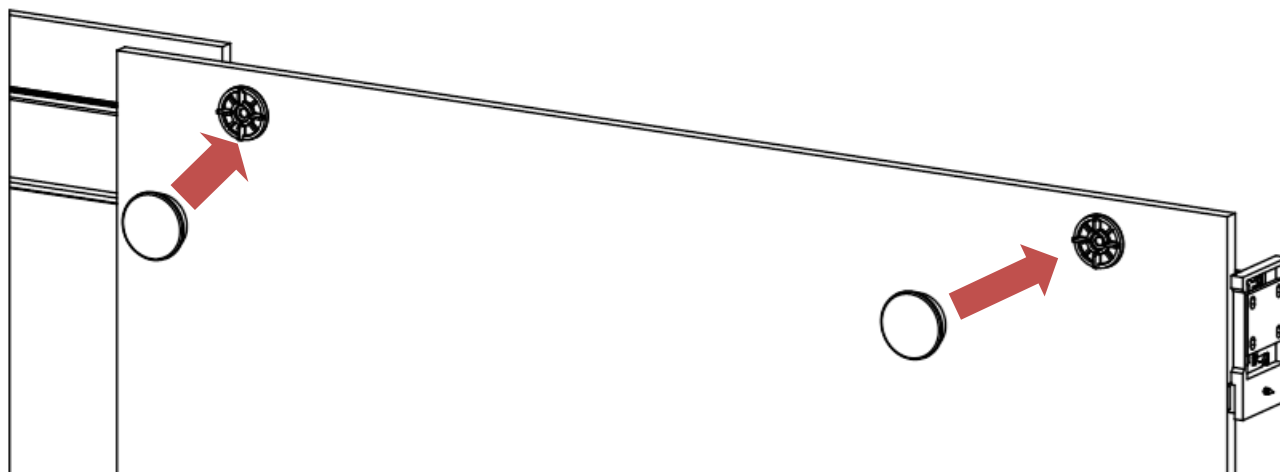
30 Repeat for the other **Anti-Jump Vinyl** piece.

Push the inner panel to the other wall.

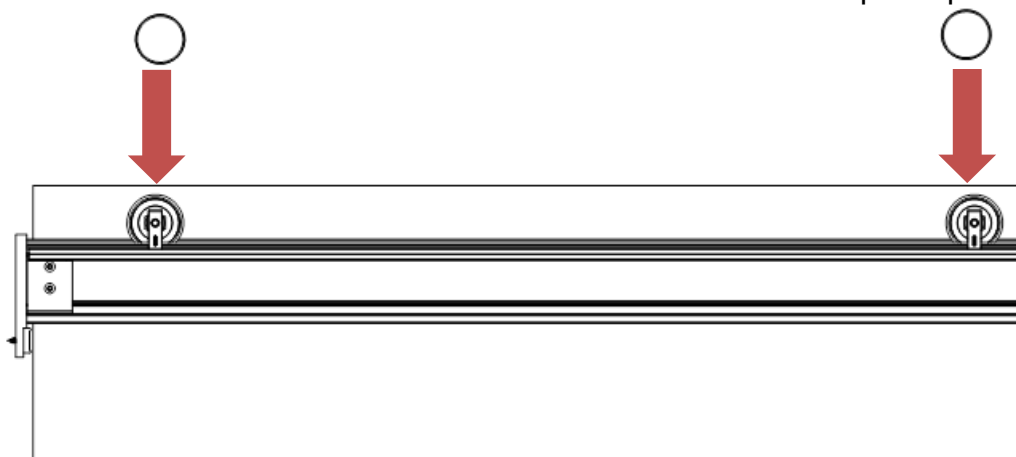
Slide the **Anti-Jump Vinyl** behind the inner panel, meeting the already installed piece in the middle.

Beginning in the middle of the unit, snap the **Anti-Jump Vinyl** onto the header, ending with a gap at the wall.

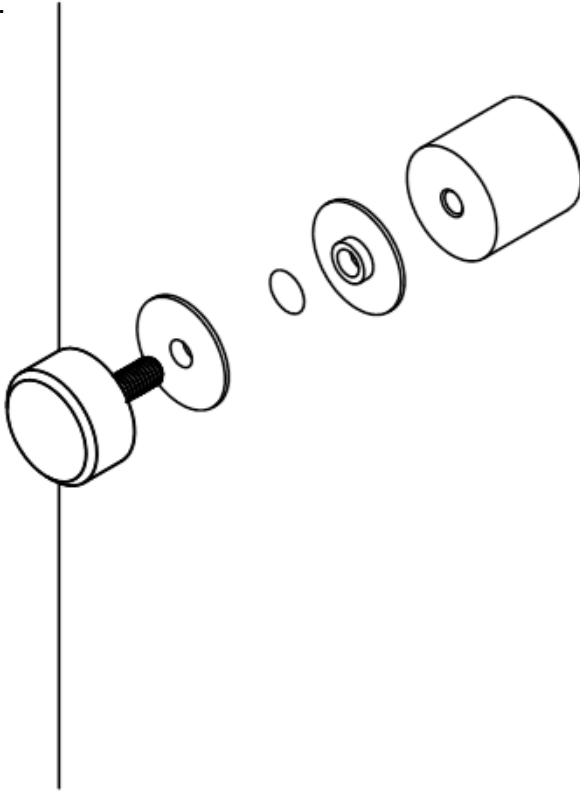
31 The **Inner Panel Rollers** and outer portion of the **Outer Panel Rollers** use the same caps. Snap on each cap. If they do not snap, use a small amount of silicone to hold them in place.



32 The **Inner Covers** for the **Outer Panel Rollers** slide down and snap into place.



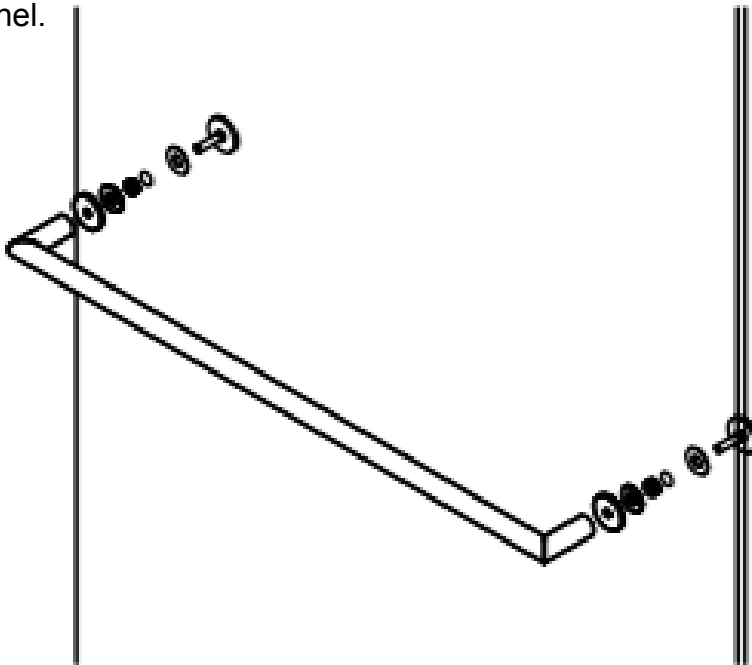
33 If ordered with a finger pull, install the **Finger Pull**. The longer side faces away from the other panel of glass.



Installing the long side of the knob toward the other panel will lead to breaking 1 or both pieces of glass.

Be sure to install the long side of the knob away from the other panel!

34 If ordered with a towel bar, install the **Towel Bar** on the **Outer Panel**. It is installed facing away from the other panel.



Installing the towel bar toward the other panel will lead to breaking 1 or both pieces of glass.

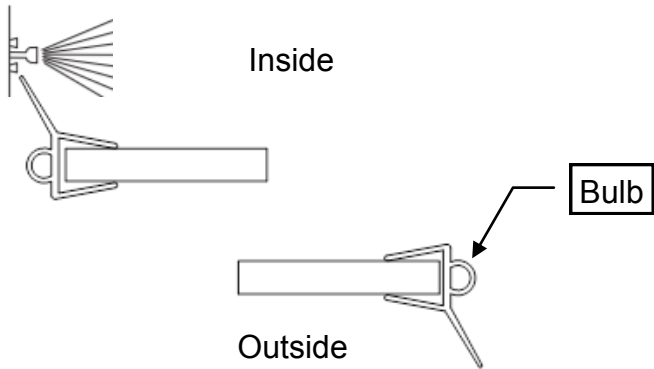
Be sure to install the towel bar away from the other panel!

35 Carefully remove any masking tape used during installation and install strike vinyl.

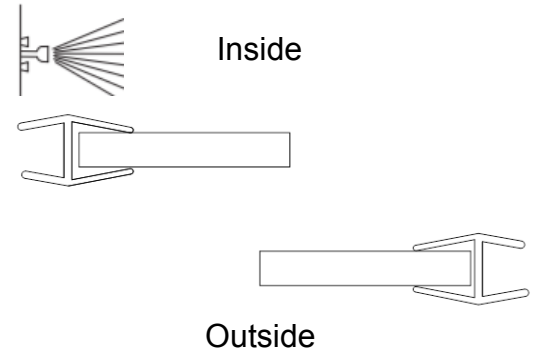
In order to minimize chances of water leakage, please install both strike vinyl to the glass after installation. The recommended orientations are shown below with the top of the glass inline with the top of the vinyl. While the door is in its closed position, cut the vinyl to match the desire option below.

- Option A- Cut vinyl to be between both the Header Cover and Track Cover
- Option B- Cut vinyl to be above Track Cover and trim around Header Cover

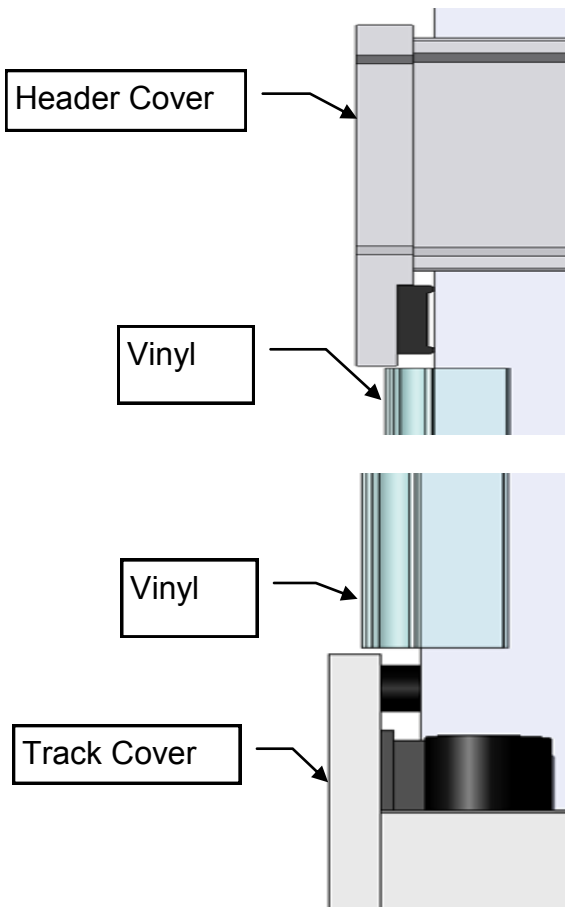
3/8" Glass



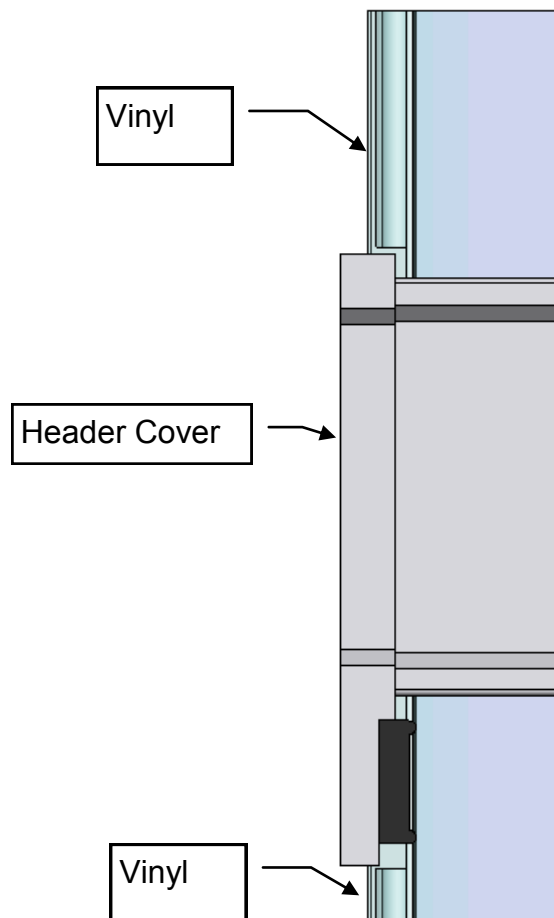
1/4" Glass



Option A

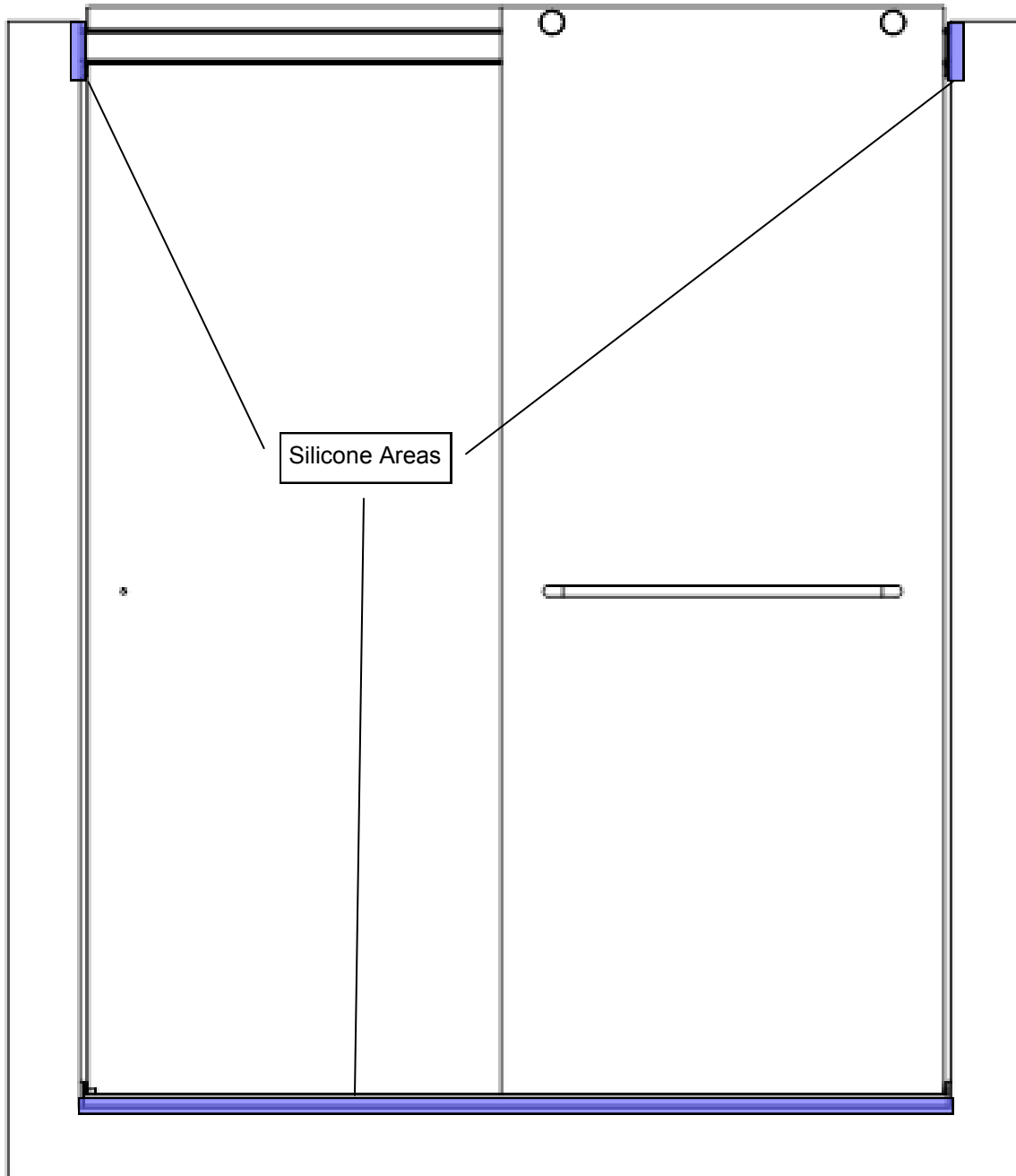
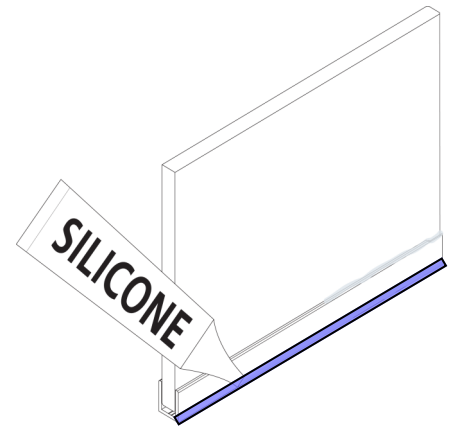


Option B



36 Apply a small continuous bead of silicone where the walls and threshold meet the metal of the shower door.
(Track and Header Covers).

Be sure to silicone the inside and outside perimeter of the door.



NOTE: DO NOT USE the shower until the silicone is completely cured. Check the tube of silicone for the manufacturer recommended cure time (typically 24 - 48 hours).

