

the INFINITY BIFOLD

Semi-  
Frameless  
Bifold  
Shower  
Door

INFH11A



SHOWER ENCLOSURES

BECAUSE THE SHOWER IS EVERYTHING

[www.BascoShowerDoor.com](http://www.BascoShowerDoor.com) | 800.45.BASCO

## Tools:

To install your New Shower Enclosure, you may need the following:

- Pencil
- Low Tack Tape
- Tape Measure
- 4' & 6' Levels
- #2 Phillips Screwdriver
- Drill
- 1/8" & 3/16" Drill Bit
- Center Punch
- Files
- Utility Knife
- Hack Saw
- Caulk Gun
- Clear Silicone Caulk
- Suction Cups

## Safety Notes:

- This unit is best installed by two people.
- Handle the glass panels carefully and protect the edges. Safety tempered glass is very resistant to breakage, but the sharp corners of the panels can damage tile and flooring surfaces.
- The glass can break if unequal pressure is applied during installation.
- Please wear safety glasses whenever drilling or cutting. When drilling holes in ceramic tile or marble, use a center punch and hammer to carefully break the glazed surface to prevent skidding when drilling.

**NOTE:** Tempered glass cannot be cut.

## Installation Notes:

- A minimum of 1" thread engagement is required of all fasteners into blocking. Depending on the application the customer maybe required to supply the proper fasteners to ensure adequate engagement.
- Use caution to not pierce plumbing or electric lines while installing door hardware.
- Cover the drain with tape prior to installation to prevent loss of small parts.
- Unpack your unit carefully and inspect for freight damage. Layout and identify all parts using the instruction sheet as a reference. Before discarding the carton, check to see that no small hardware parts have fallen to the bottom of the box. If any parts are damaged or missing, refer to the description noted in the instructions when contacting your dealer for replacements.

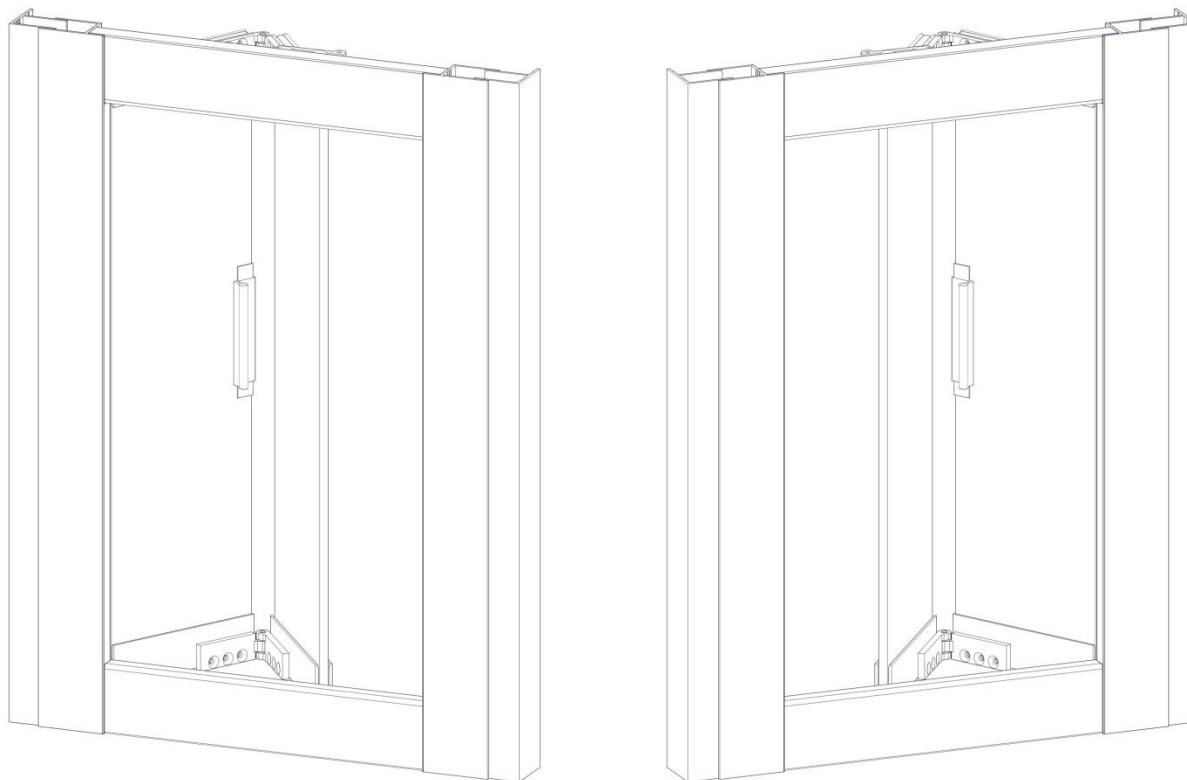
## Maintenance:

Two primary materials are used to manufacture your new shower enclosure: tempered glass and anodized aluminum. To assure a long lasting finish on the enclosure, wipe it down with a towel after each use.

For occasional, more concentrated cleaning efforts, we find that **Lysol® Non-Abrasive Bathroom Cleaner** works extremely well. Be sure that any over spray falling on the aluminum frame is rinsed thoroughly and dried. Many over-the-counter cleaners, if applied to the aluminum and left on, will harm the metal finish and cause permanent damage even though their directions indicate safe use on shower doors. Never use a scouring agent to clean the aluminum.

For units with **AquaglideXP** please use Maintain spray from the maintenance on the glass. Please contact customer service for details and to purchase the maintenance kit.

## **LEFT OR RIGHT INSTALLATION**



**LEFT HINGE INSTALLATION**

**RIGHT HINGE INSTALLATION**

The bi-fold shower door can be installed to have the fixed hinge on either the left or the right when viewed from the outside. These installation instructions depict a hinge left installation.

Hinge side selection does not impact water proofing. Instead, hinge side is often determined because of obstructions. This door opens into the shower. The hinge side wall requires approximately half (1/2) of the opening width of unobstructed wall space to the inside of the shower. Any obstruction on the wall may contact the glass which can cause damage to the glass or unit.

*ex: 30" opening requires 15" clear space along the hinge side wall*

Be sure to consider the placement soap dishes/racks, fixtures, towel bars, hooks, and steps when selecting the hinge side.

### **OOP AND ADJUSTMENT LIMITS**

The bi-fold shower door is designed with width adjustment in mind. Each wall jamb has 1" of adjustment built in for a total of 2".

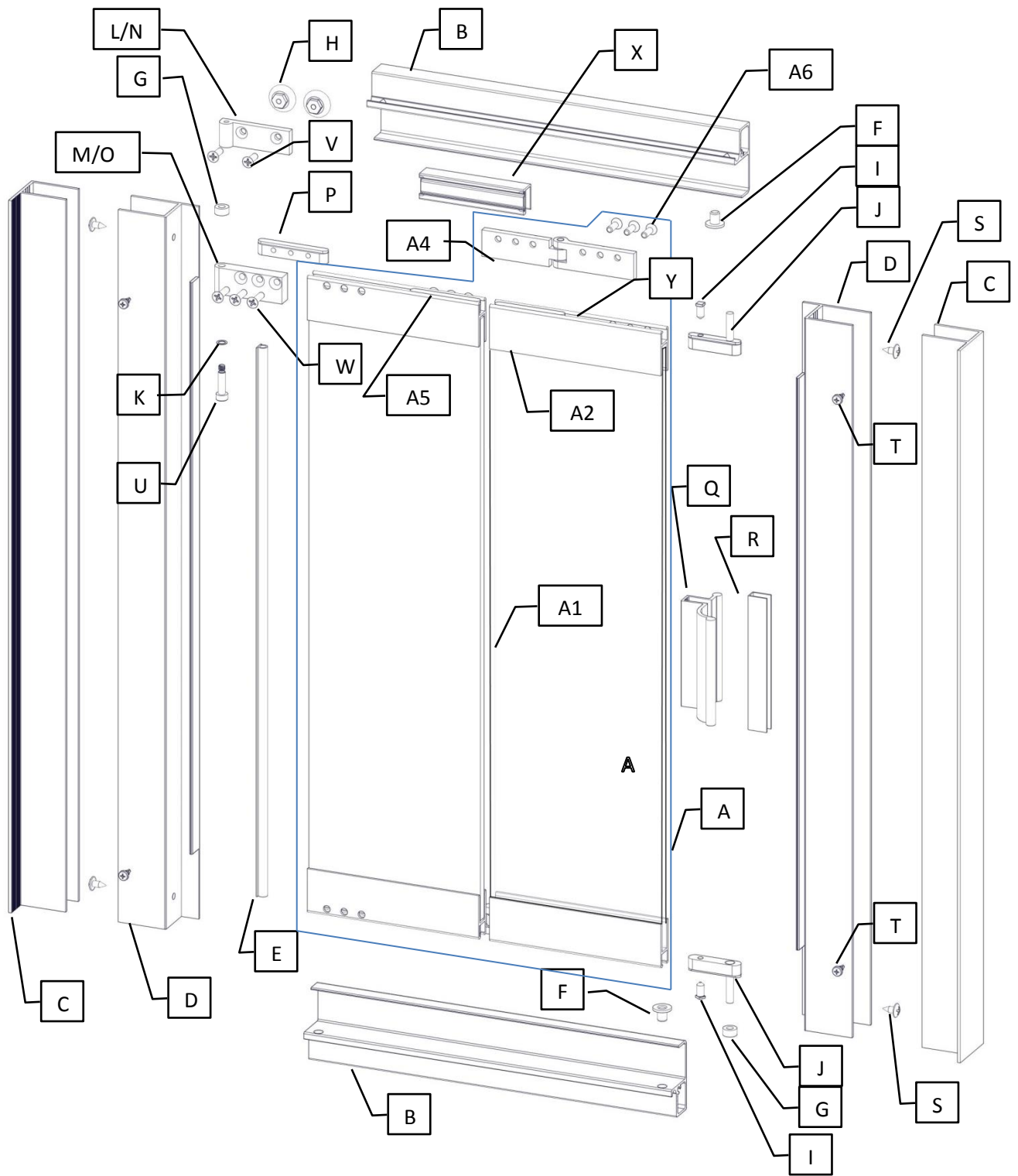
Out-of-plumb (OOP) walls must be both a continuous and less than 1" on each wall. The metal will not conform to bowed or elbow OOP conditions.

The design of the door requires the curb to be level. The customer is responsible for shimming or filling any gaps to make a level threshold for the curb to sit on.

When choosing the proper range for your new bi-fold shower door, choose the best range that encompasses both your threshold width +/- any OOP conditions. The largest and smallest part of your opening must be inside the chosen range.

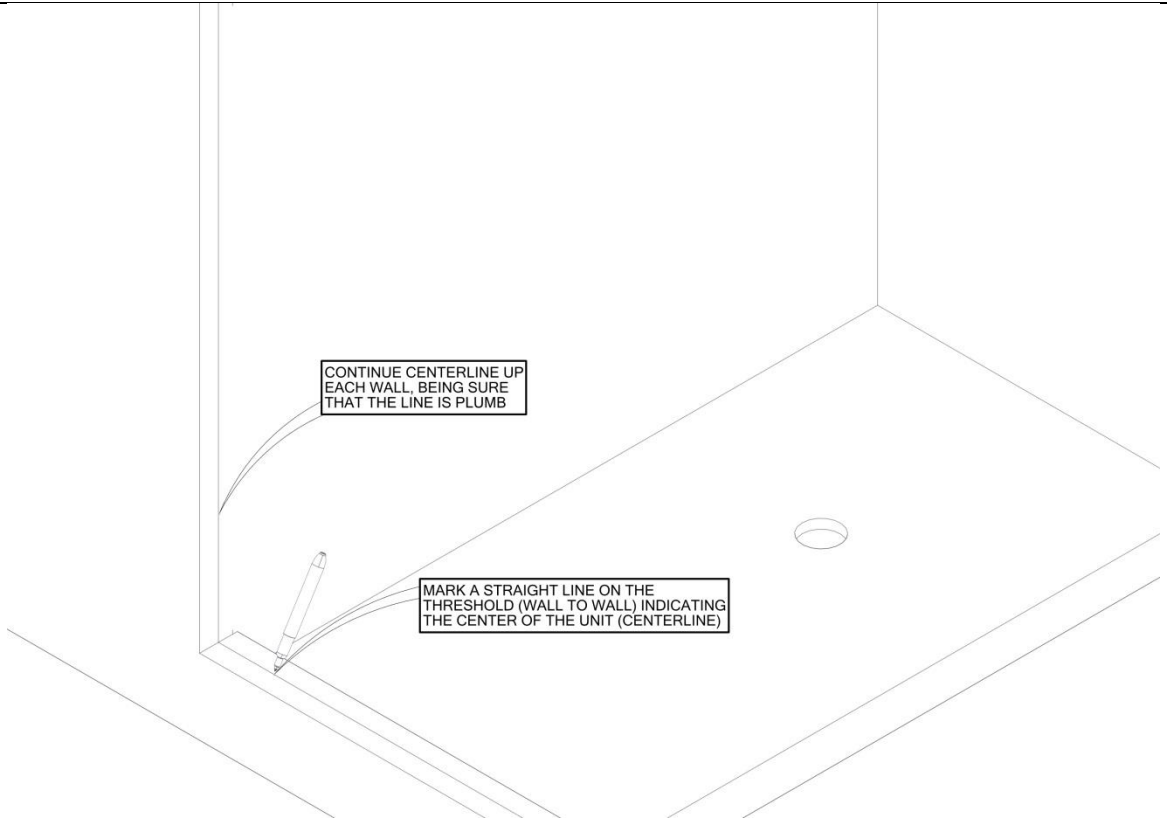
BOM

LETTER	DESCRIPTION	QTY	PART NUMBER
<b>A</b>	<b>DOOR PANEL ASSEMBLY</b>	<b>1</b>	<b>SP1411</b>
<b>A1</b>	GLASS	2	
<b>A2</b>	RAIL	4	SC558
<b>A3</b>	GLAZING VINYL	4	SCV57
<b>A4</b>	CENTER HINGE	2	SC8220
<b>A5</b>	NUT BLOCK	4	SC4261
<b>A6</b>	8-32X1/2 PH FH SCREW	12	SCR73SV
<b>B</b>	HEADER/CURB	2	SC715
<b>C</b>	WALL JAMB	2	SC713
<b>D</b>	ADJUSTABLE JAMB	2	SC714
<b>E</b>	BULB VINYL	1	SCV927T2
	PARTS PACK	1	SC1411PP
<b>F</b>	PIVOT BUSHING	2	SC4160
<b>G</b>	3/16" SPACER	2	SC4016
<b>H</b>	BLACK ROLLER	2	SC4357
<b>I</b>	SQUARE HEAD SCREW	2	SC5080
<b>J</b>	PIVOT BLOCK	2	SC4252
<b>K</b>	PLASTIC BEARING	2	SC4352
<b>L</b>	ROLLER BRACKET 1	1	SC8231
<b>M</b>	PIVOT BLOCK ADAPTER 2	1	SC4260
<b>N</b>	ROLLER BRACKET 2	1	SC8233
<b>O</b>	PIVOT BLOCK ADAPTER	1	SC4262
<b>P</b>	NUT BLOCK	1	SC4261
<b>Q</b>	HANDLE	1	SC3711
<b>R</b>	LATCH VINYL	1	SCV4123
<b>S</b>	#8 X 3/8 SCREW	4	SCR30SV
<b>T</b>	#6 X 3/8	4	SCR24SV
<b>U</b>	3/16" X 5/8" SHANK SHOULDER SCREW	1	SCR32SV
<b>V</b>	8-32X1/2 PH FH SCREW	2	SCR73SV
<b>W</b>	8-32X5/8 PH SCREW	3	SCR33SV
<b>X</b>	LATCH	1	SC784
<b>Y</b>	MAGNET	1	SCxxxx
<b>##</b>	#8 X 1 1/2" TH SCREW	6	SCR10SV
<b>##</b>	WALL PLUG	6	SC4106
<b>##</b>	ALCOHOL PAD	1	
<b>##</b>	<i>FOR CLARITY, PART NOT SHOWN. INCLUDED IN PARTS PACK</i>		
<b>A</b>	<i>DOOR PANEL ASSEMBLY SHIPS ASSEMBLED AND COMPLETE. ANY REPLACEMENT PANEL WILL INCLUDE ALL PARTS ASSEMBLED</i>		

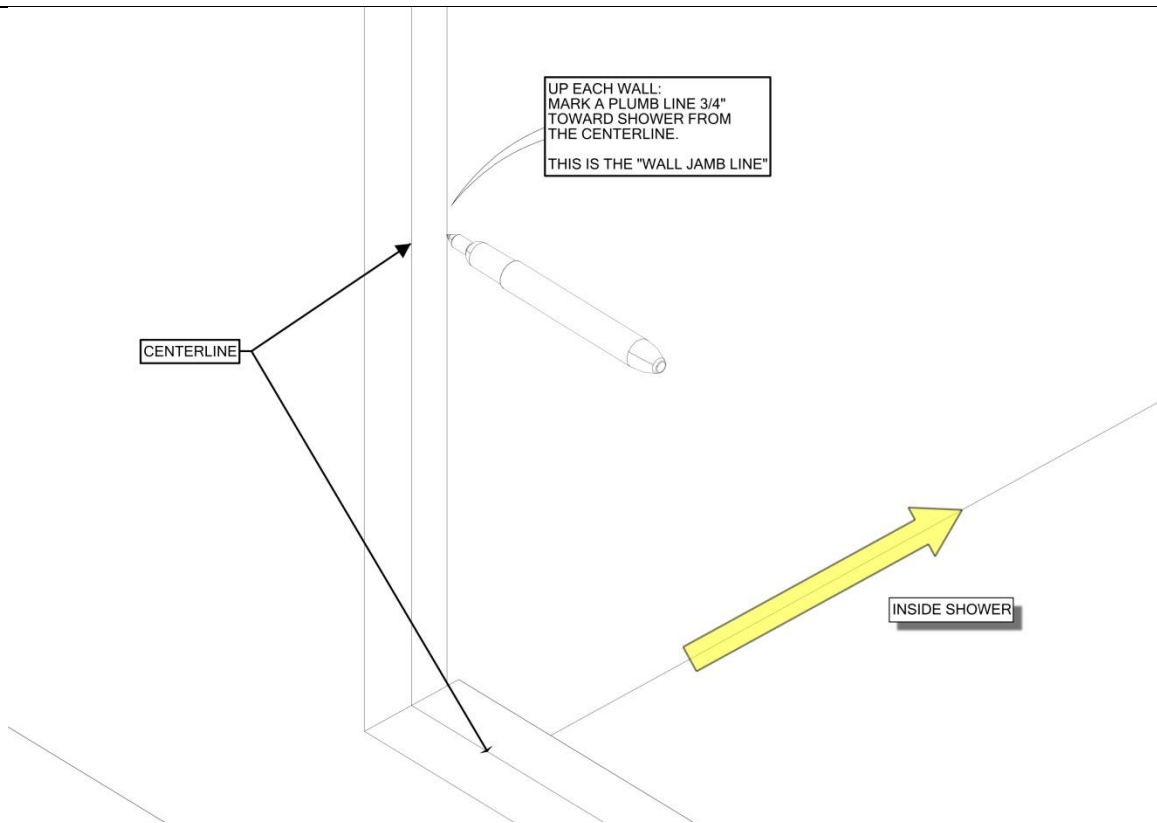


AS VIEWED FROM INSIDE OF UNIT

1



2

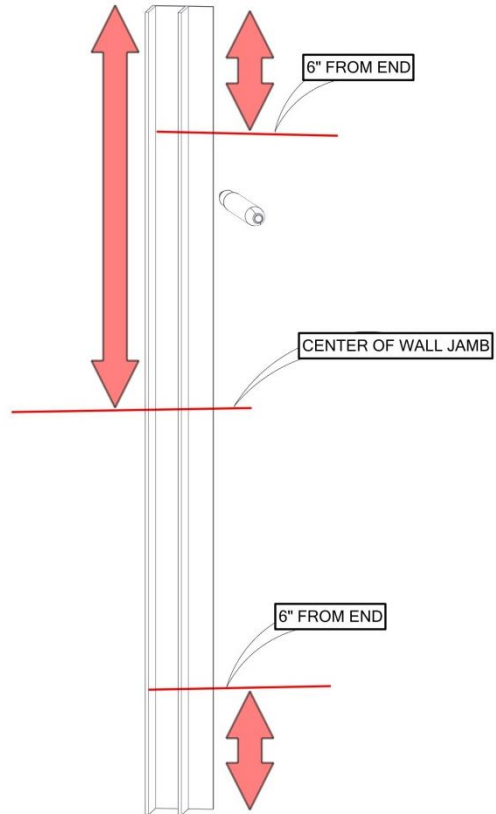


3

Lightly mark on the mounting flange of each wall jamb at the positions shown.

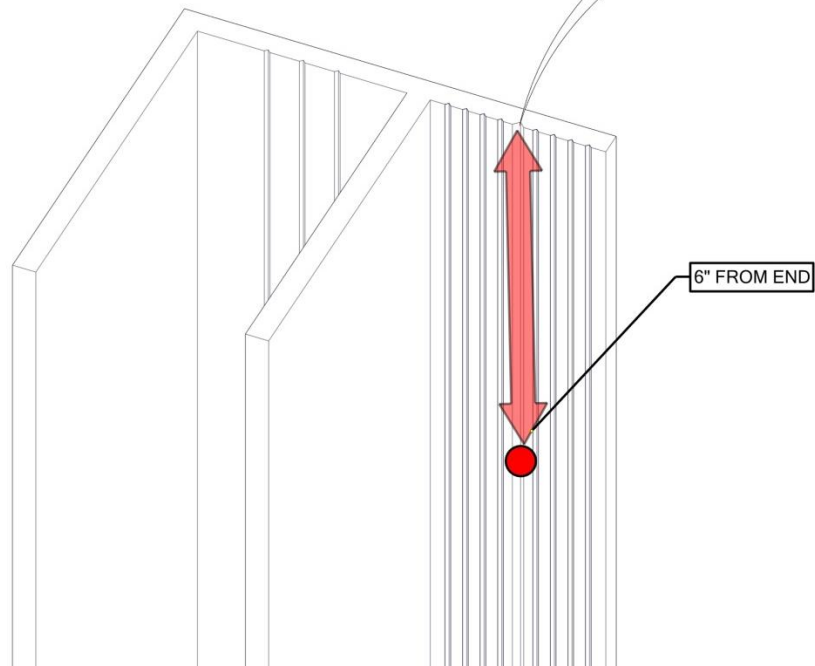
This will be where the installation hole is drilled.

**Pro-Tip:** If there are nearby grout lines (within 2" above or below) but not at the locations marked, mark the closest grout line on the wall jamb. Drilling is usually easiest here.

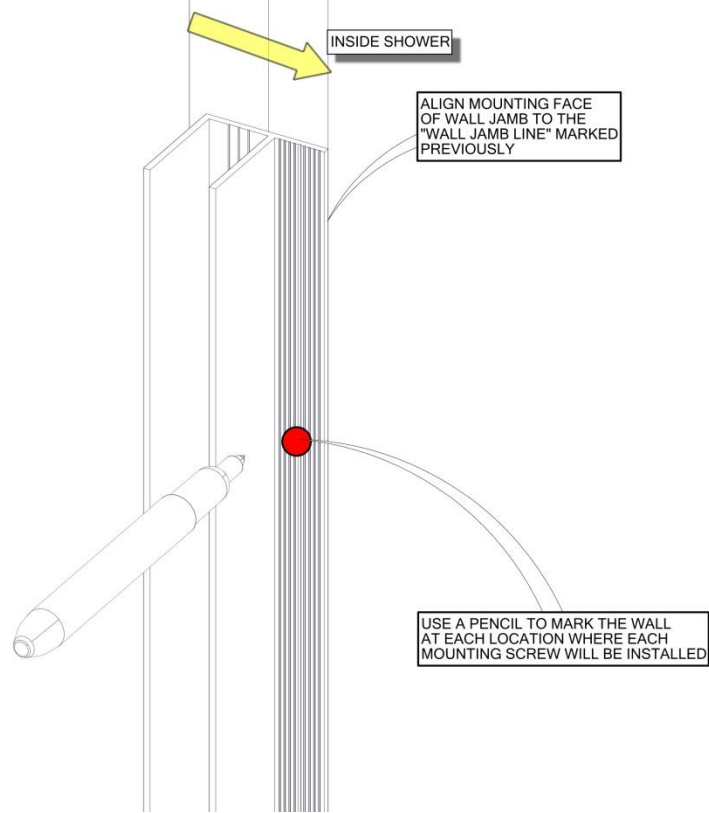


4

DRILL (3) 3/16" CLEARANCE HOLES IN CENTER GROOVE AT THE HEIGHTS MARKED IN THE PREVIOUS STEP. THIS IS FOR MOUNTING SCREWS

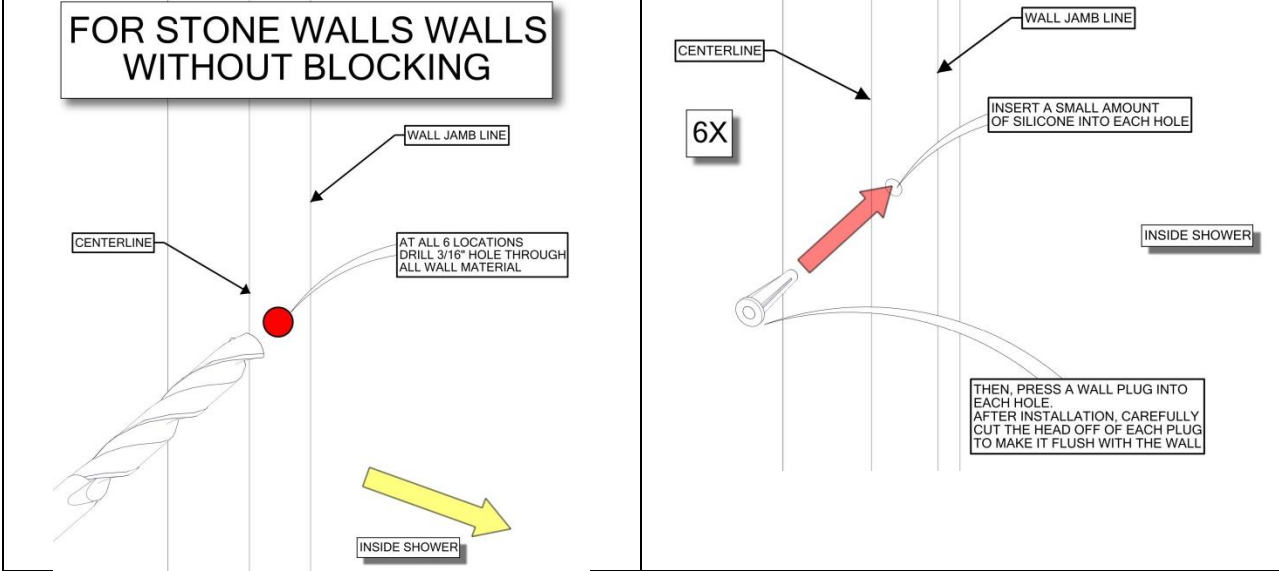
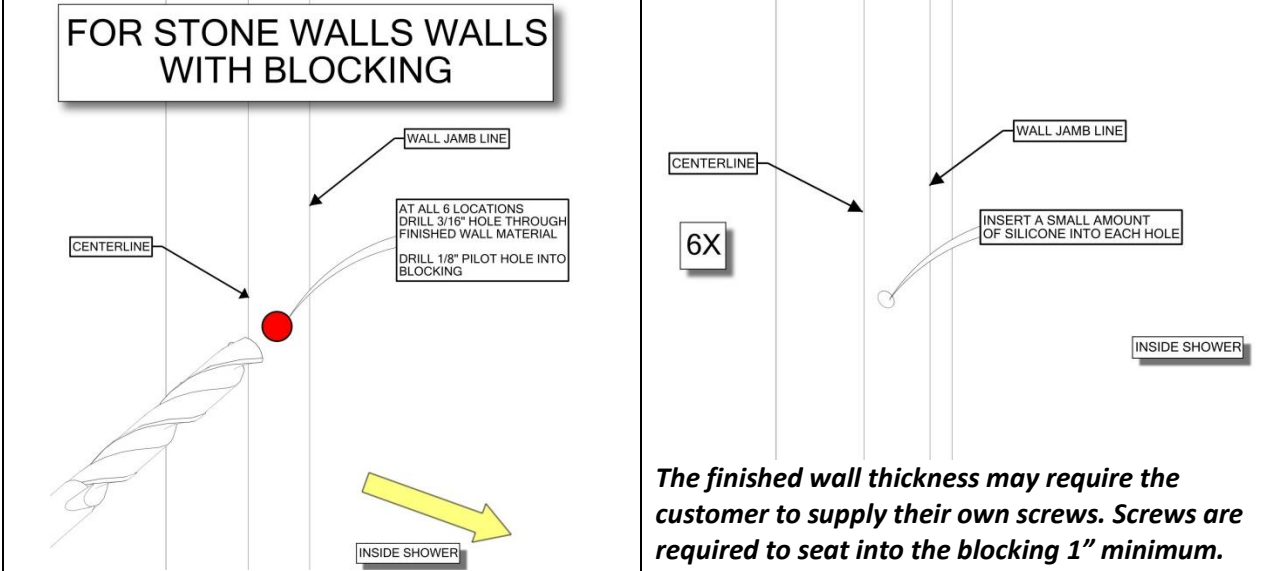
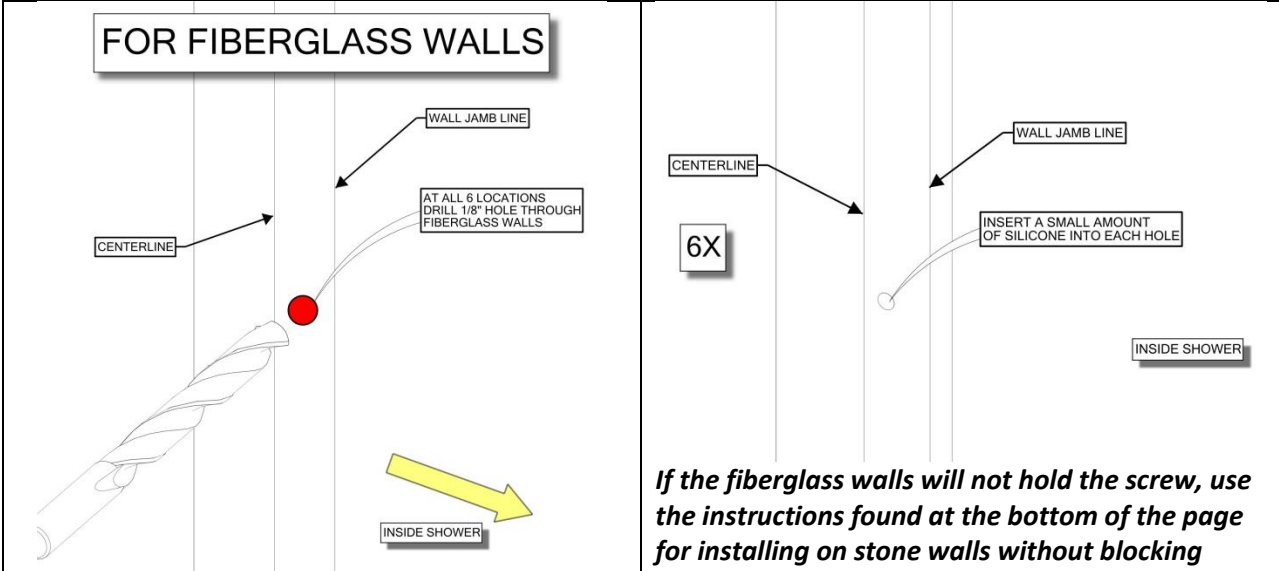


5



6 **Drill holes for mounting the door as described on the next page**

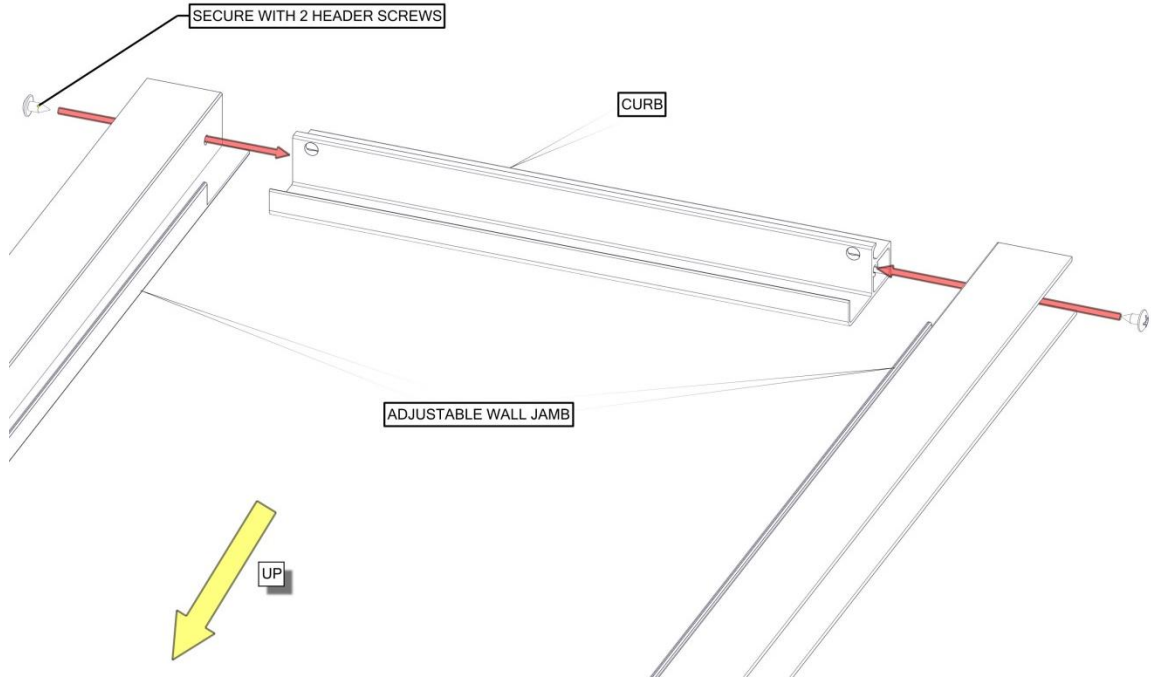




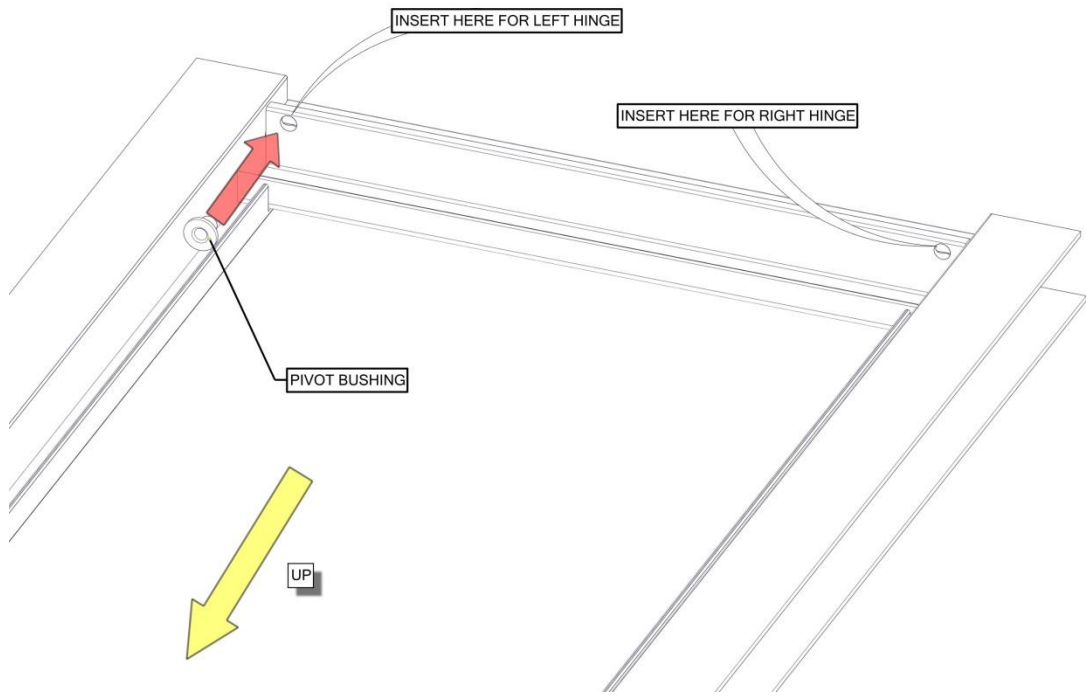
7

Most of the assembly of this unit will take place on the floor with the outside of the unit facing the floor. Please take precautions to prevent harm to the unit for work surface during assembly.

**Work on a piece of cardboard or carpet to prevent scratches**

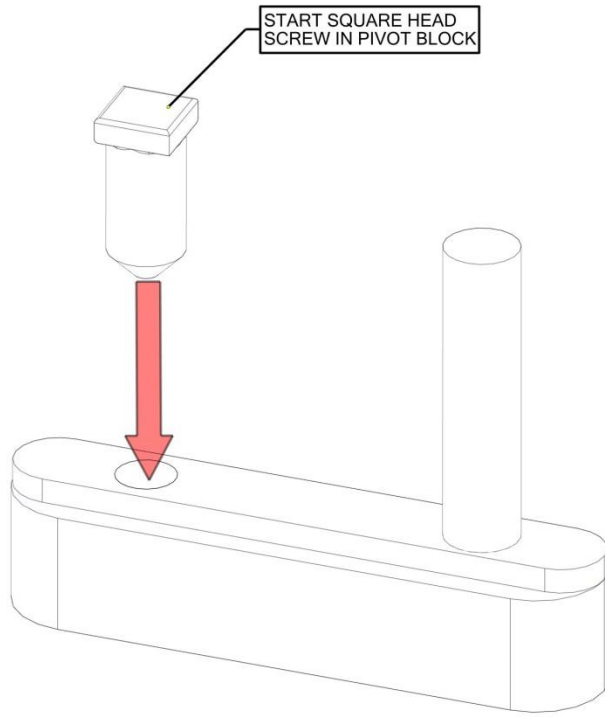


8

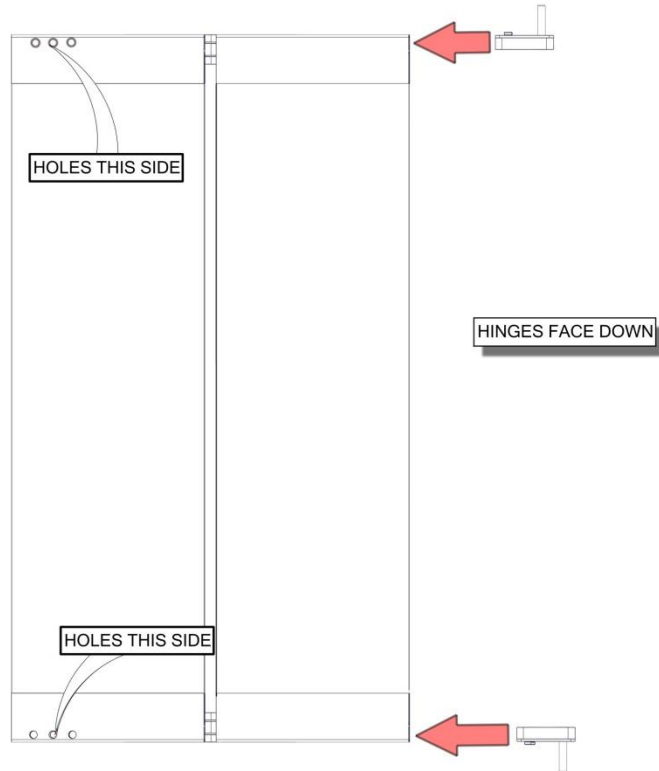


9

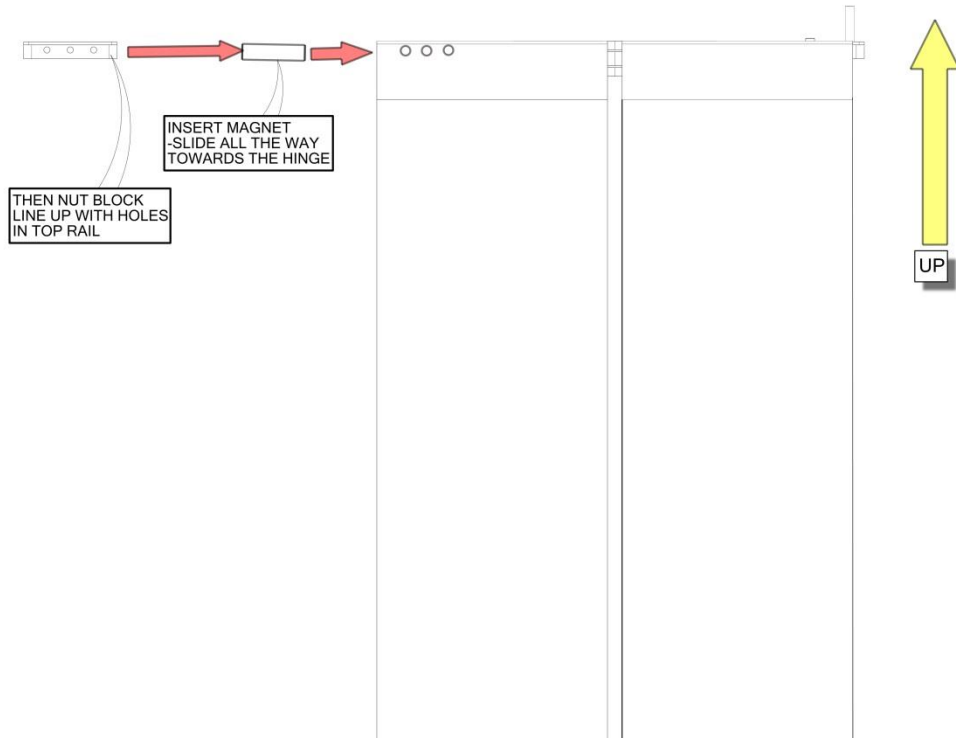
X2



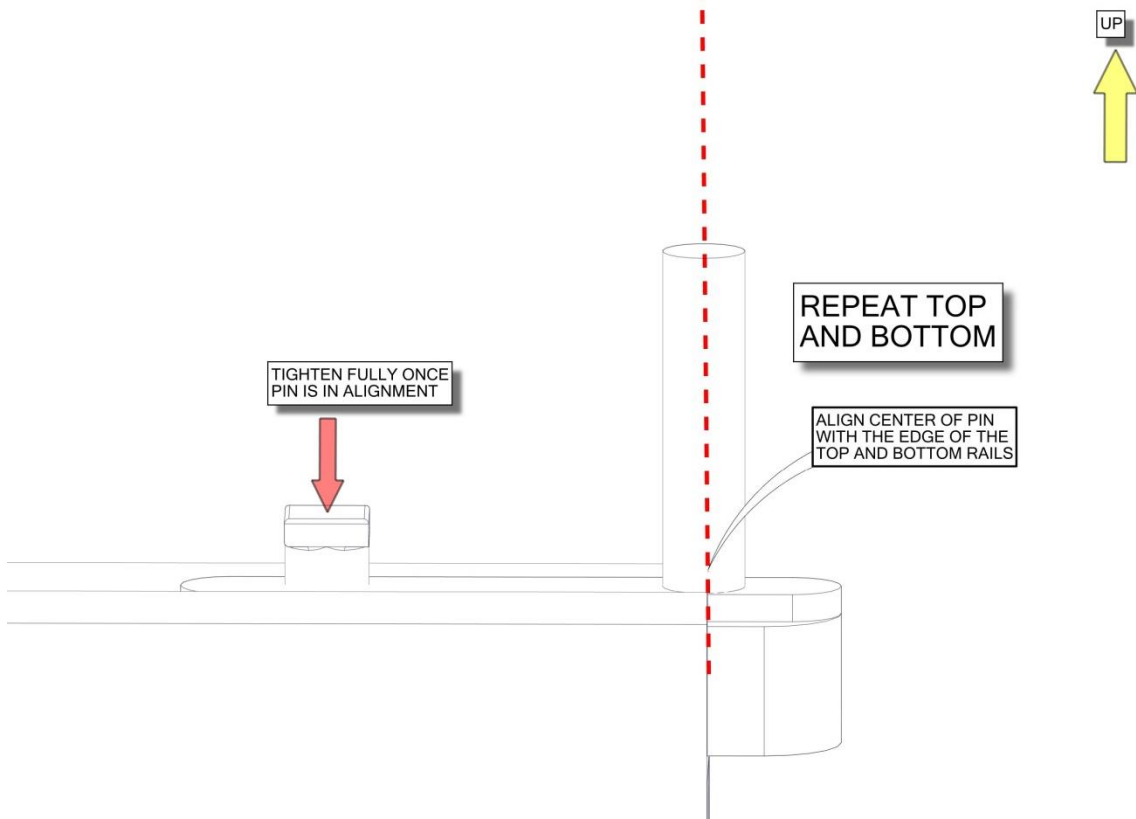
10



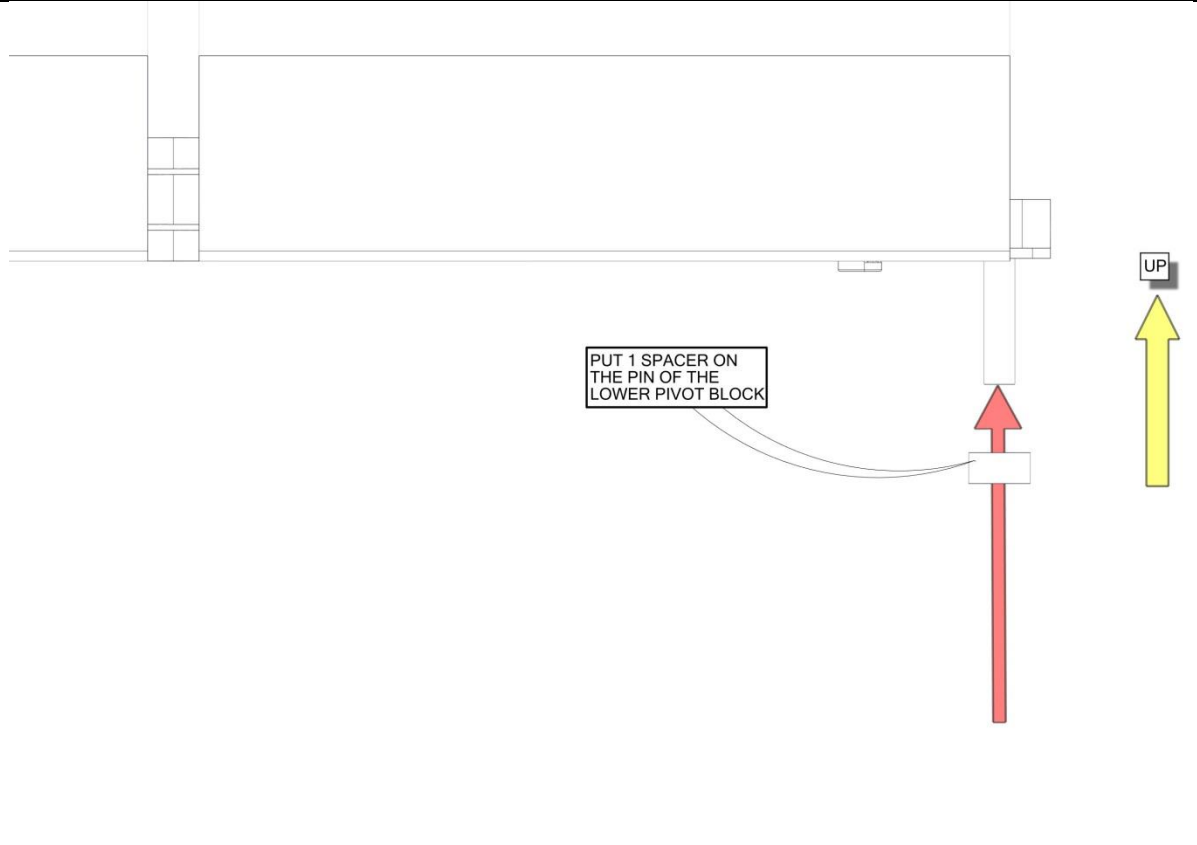
11



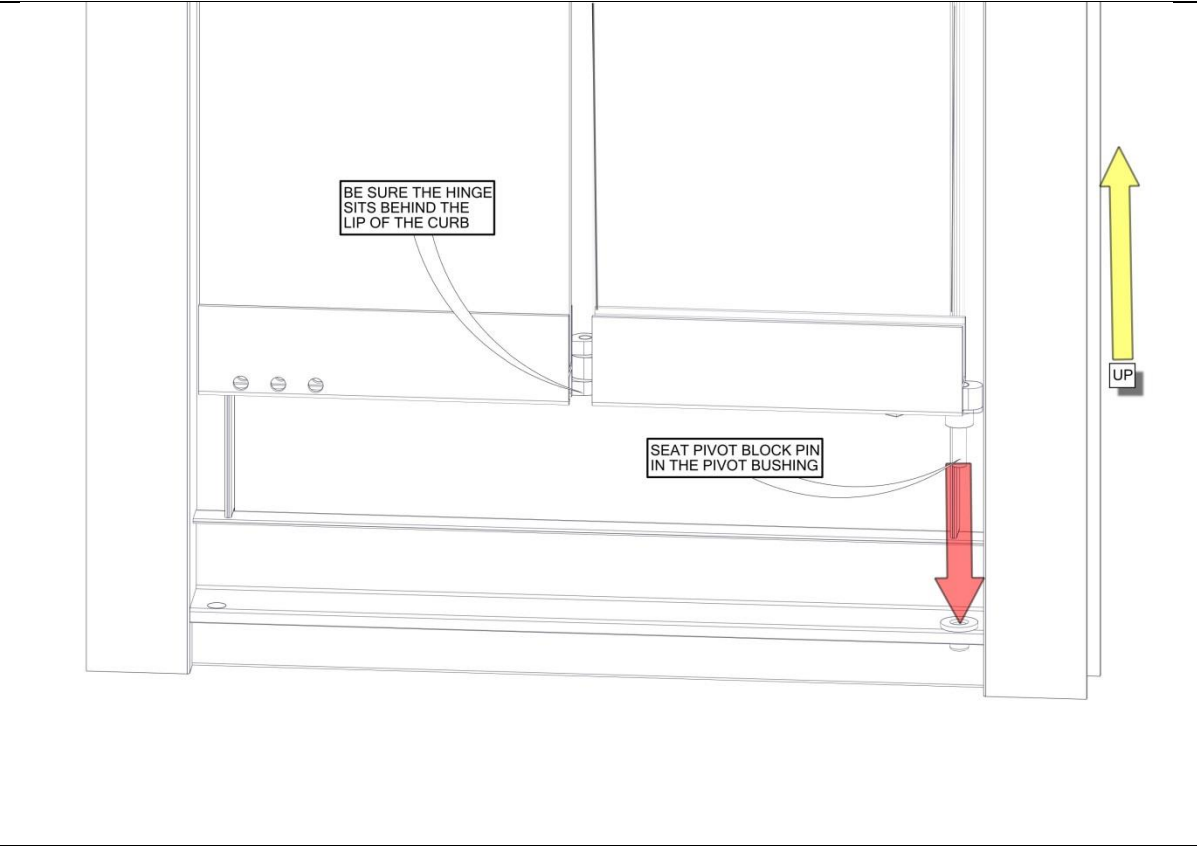
12



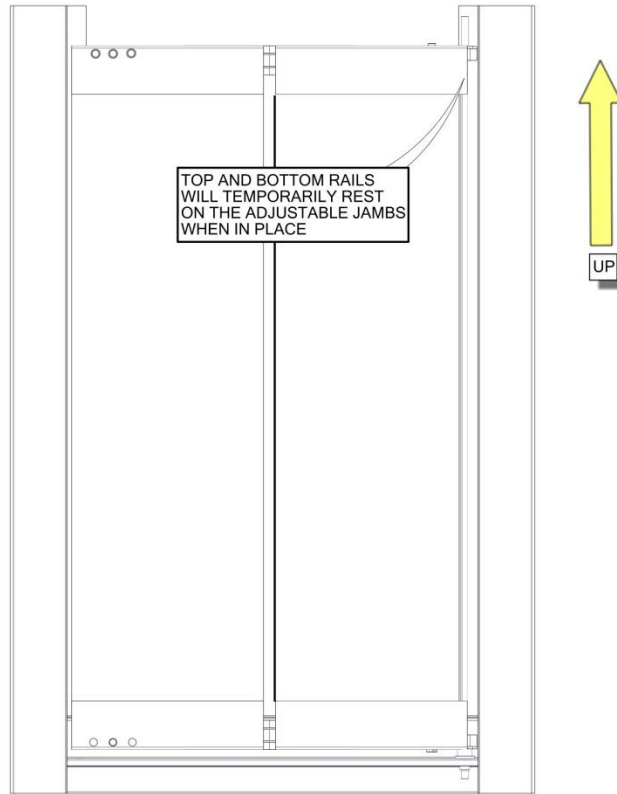
13



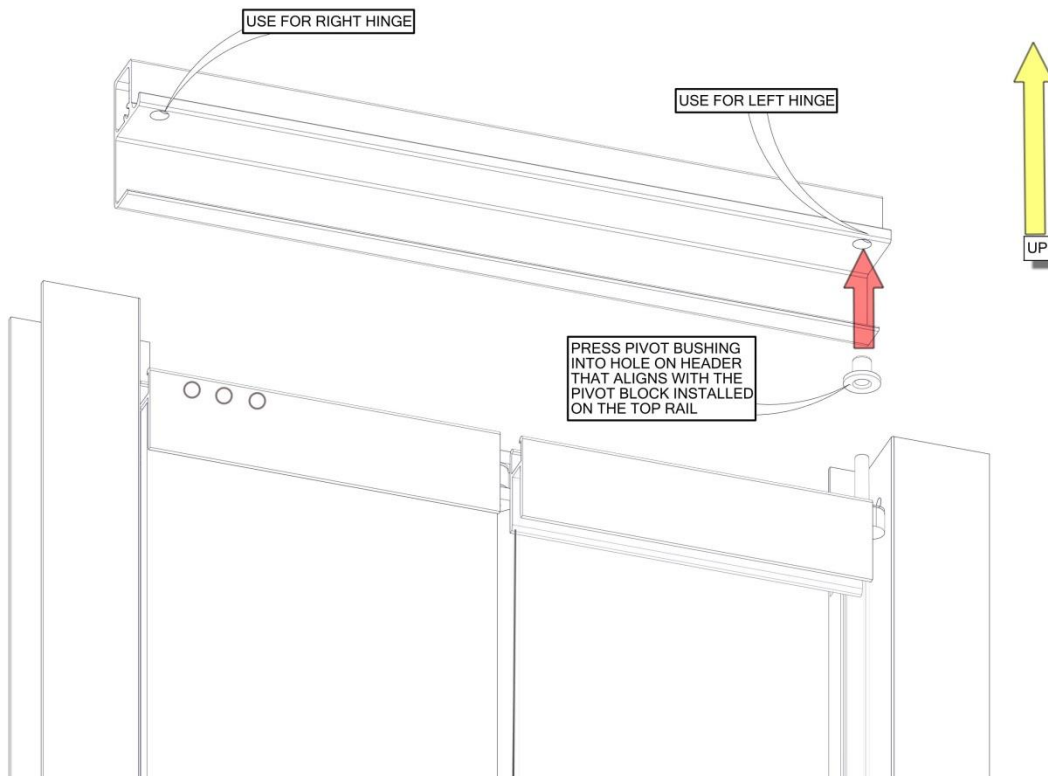
14



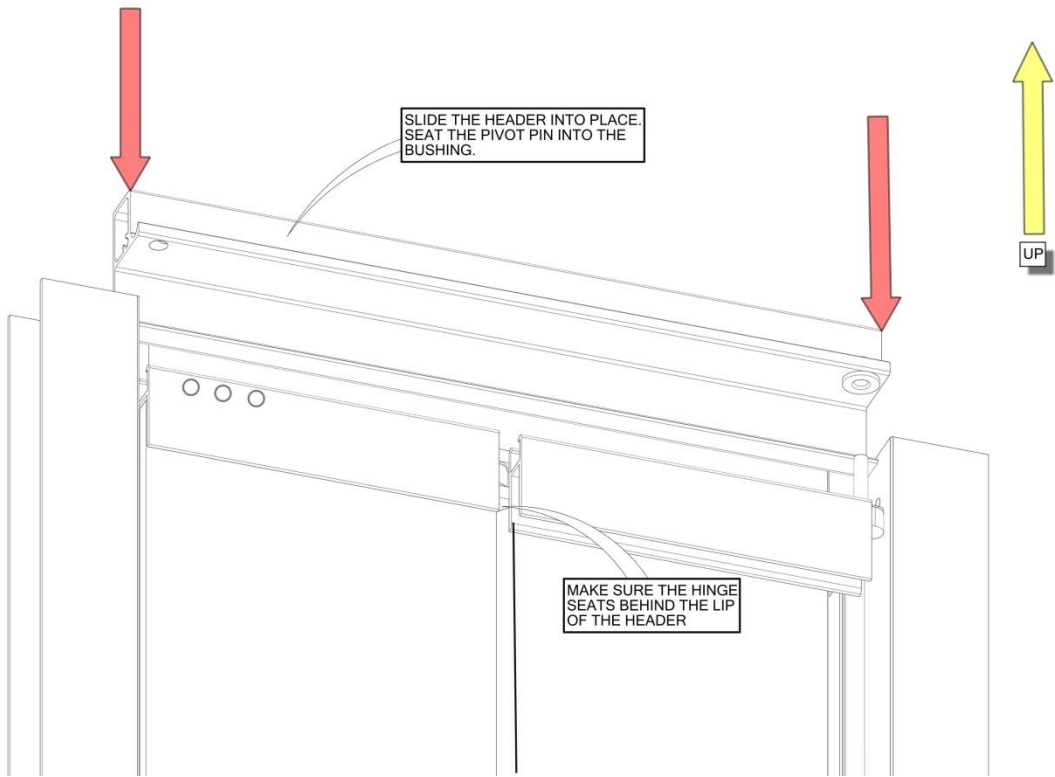
15



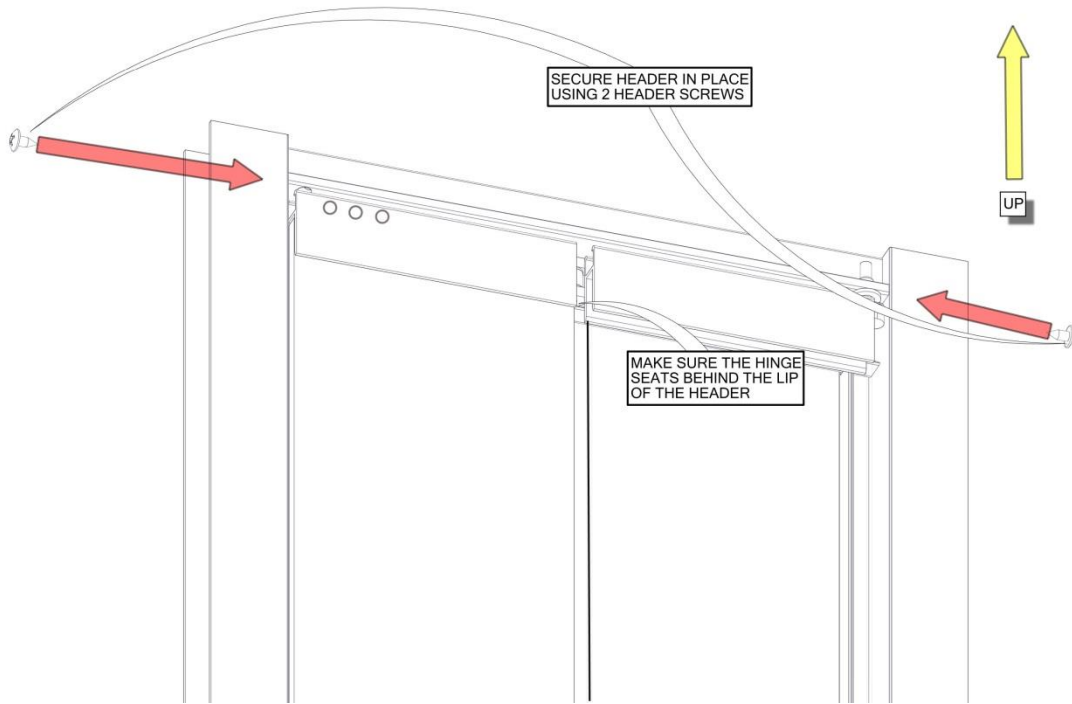
16



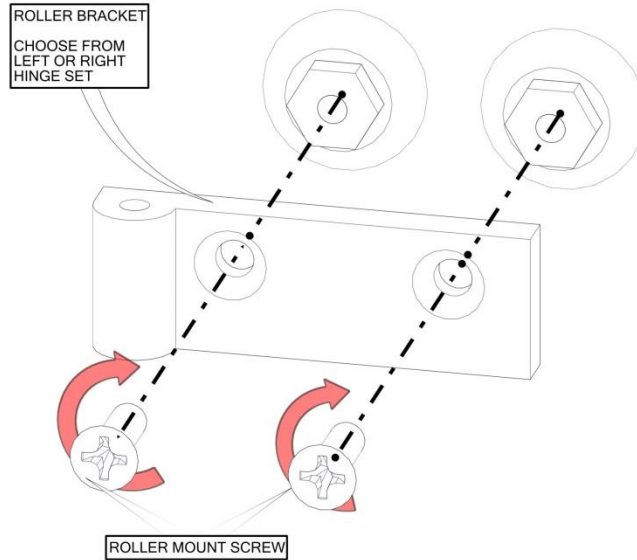
17



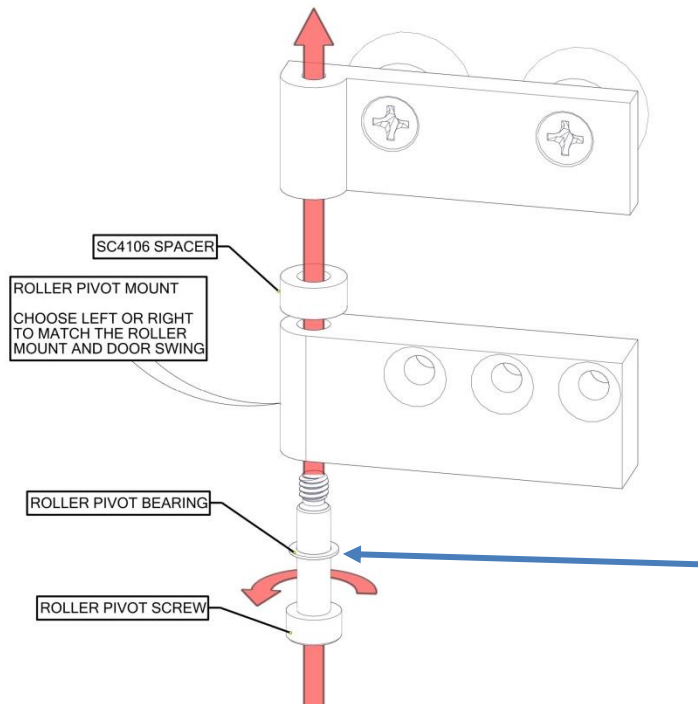
18



19



20



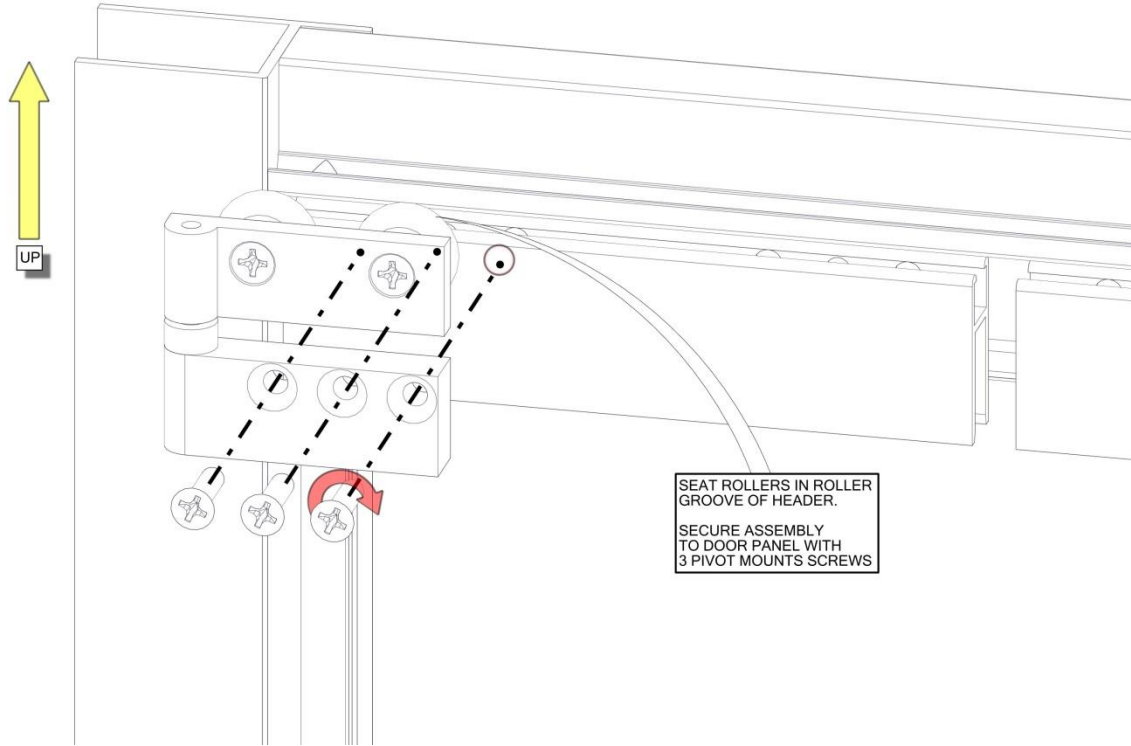
**Pro-Tip!**

*If the rollers pop off of the track during normal operation, stack additional roller pivot bearings to increase the load on the rollers.*

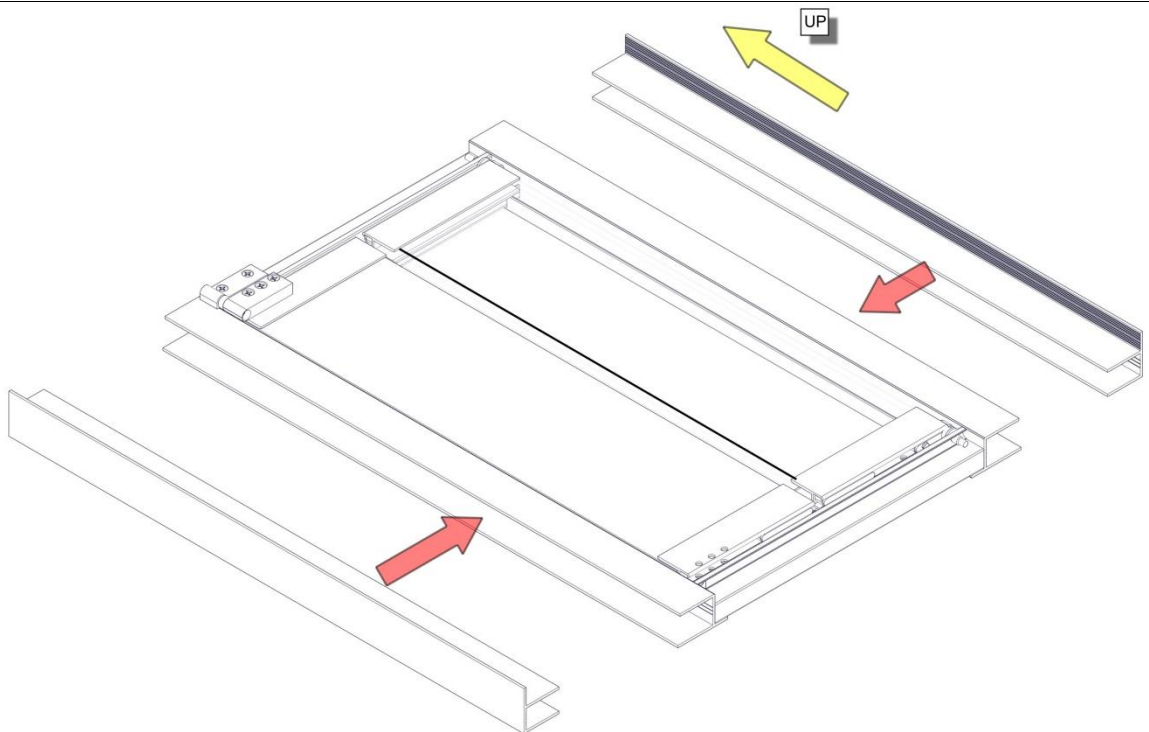
The Parts Pack includes pieces to be used for *both* left and right hinged applications. Only 1 set of left **or** right parts will be required for your installation.



21



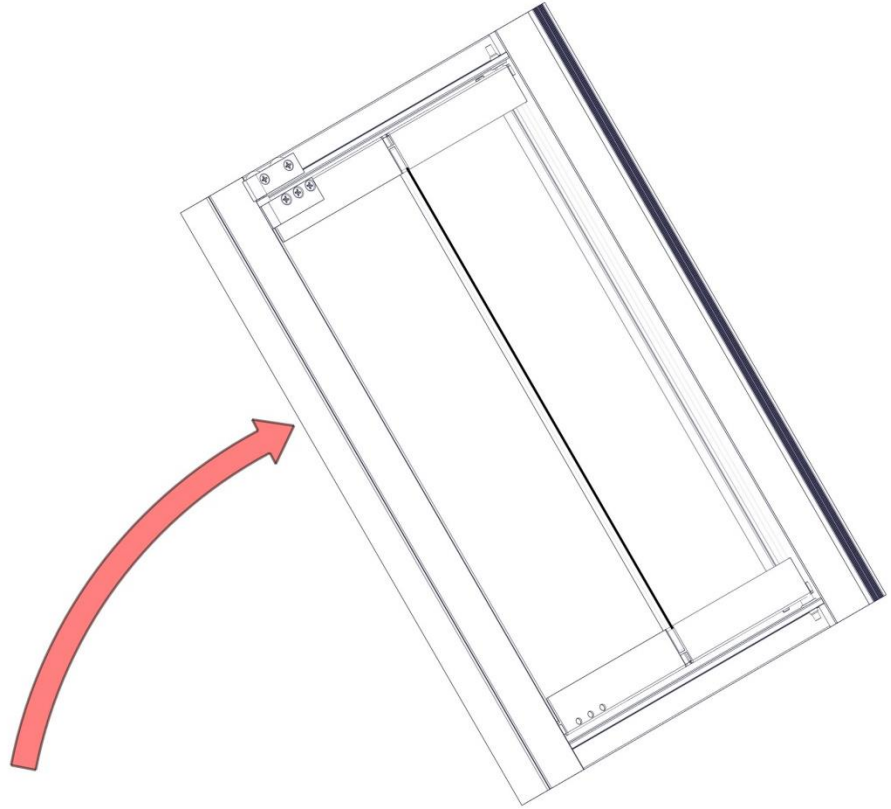
22



Slide the Wall Jambs into place with the mounting flange facing up. They will be on the inside of the shower once the unit is stood up.

23

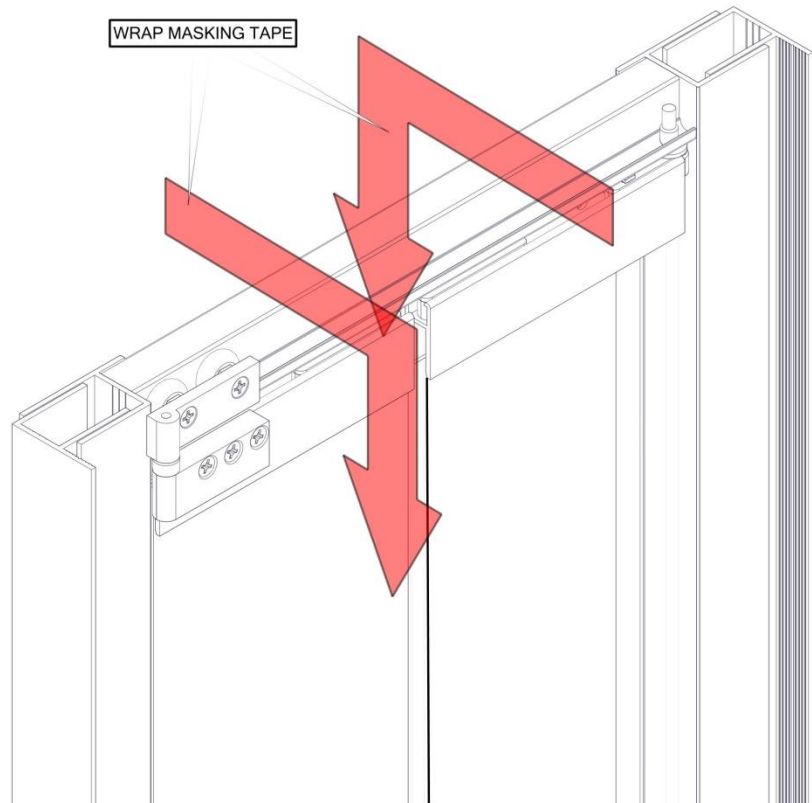
With a helper,  
stand the unit up  
on the floor.



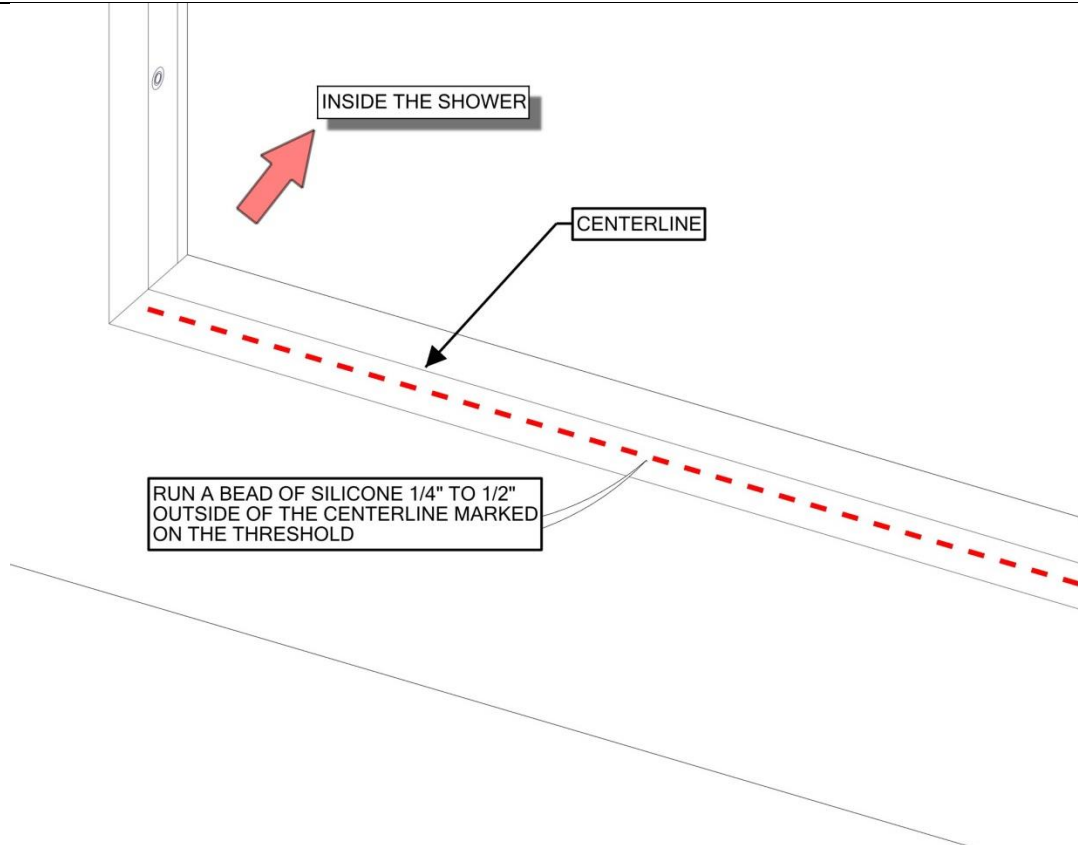
24

Use masking tape to hold  
the glass closed while the  
unit is lifted into place.

Attach the tape to the  
top of the glass on the  
inside of the door, wrap it  
around the top of the  
header and stick the  
other end of the tape to  
the top of the glass on  
the outside of the door.

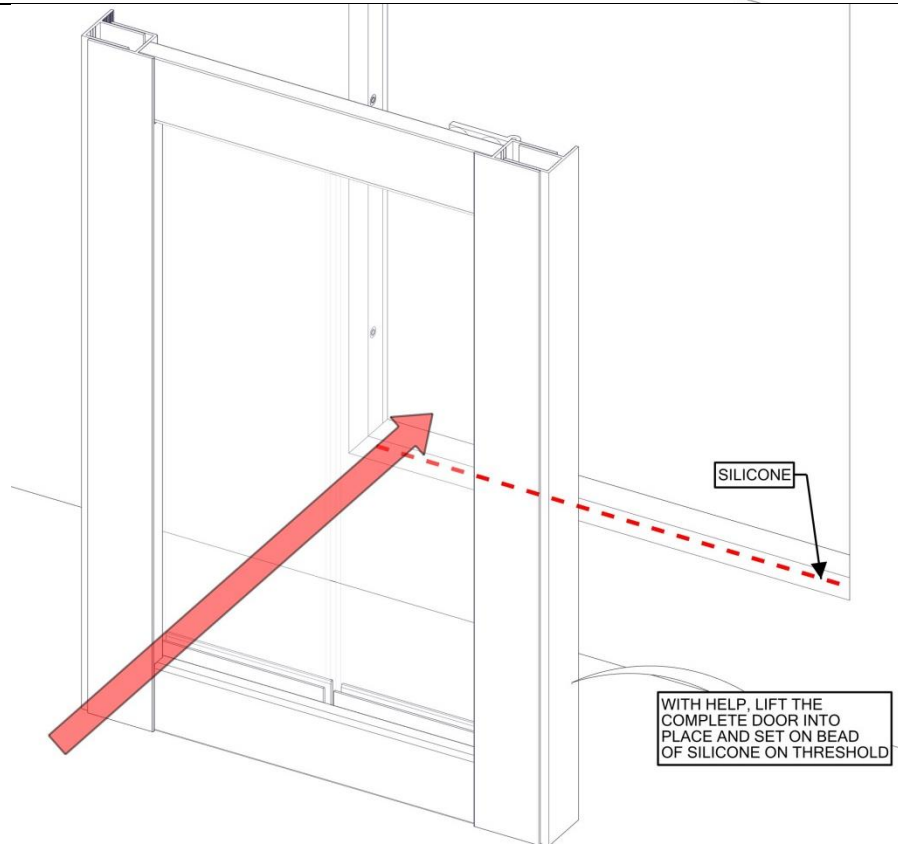


25

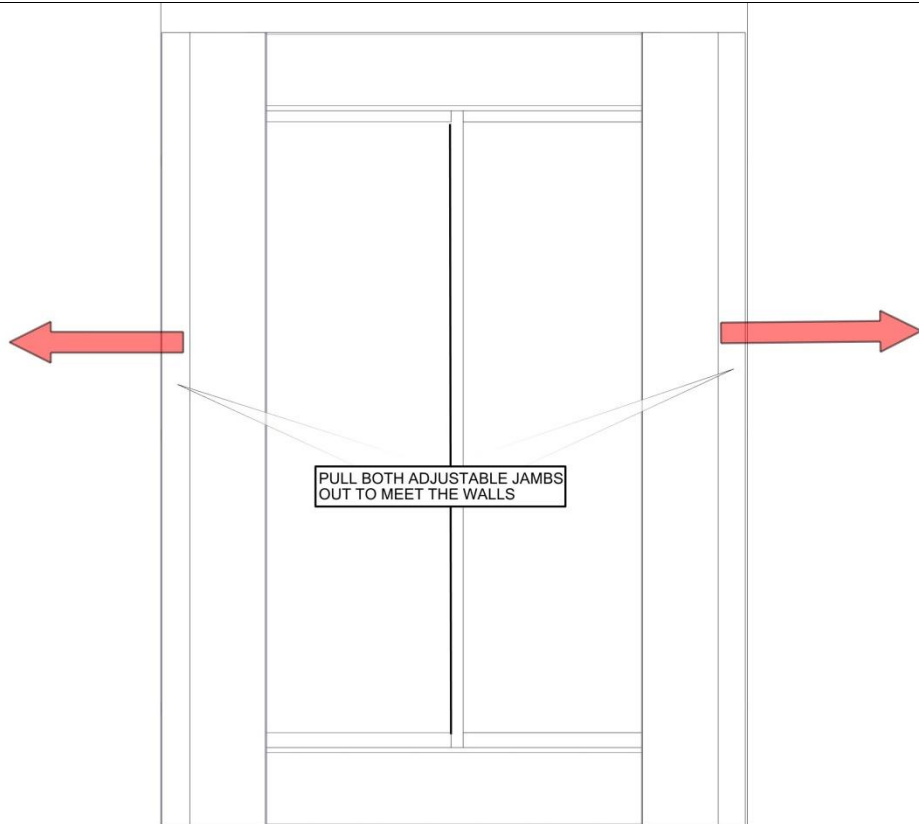


26

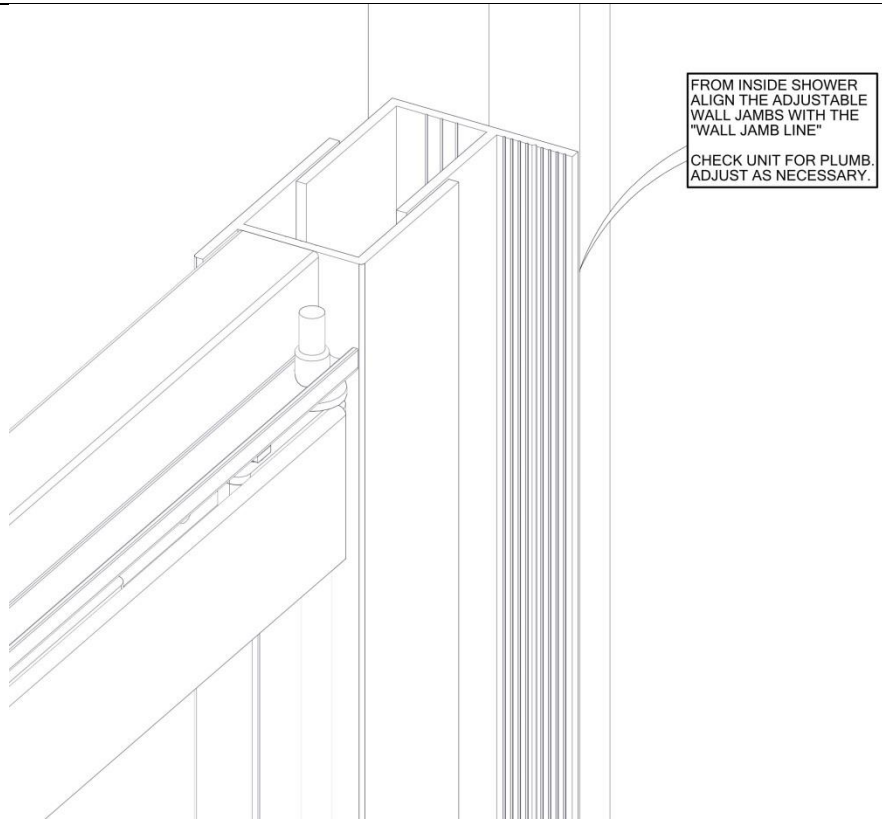
With a helper inside the shower, lift the unit into place and set it onto a continuous bead of silicone on the threshold



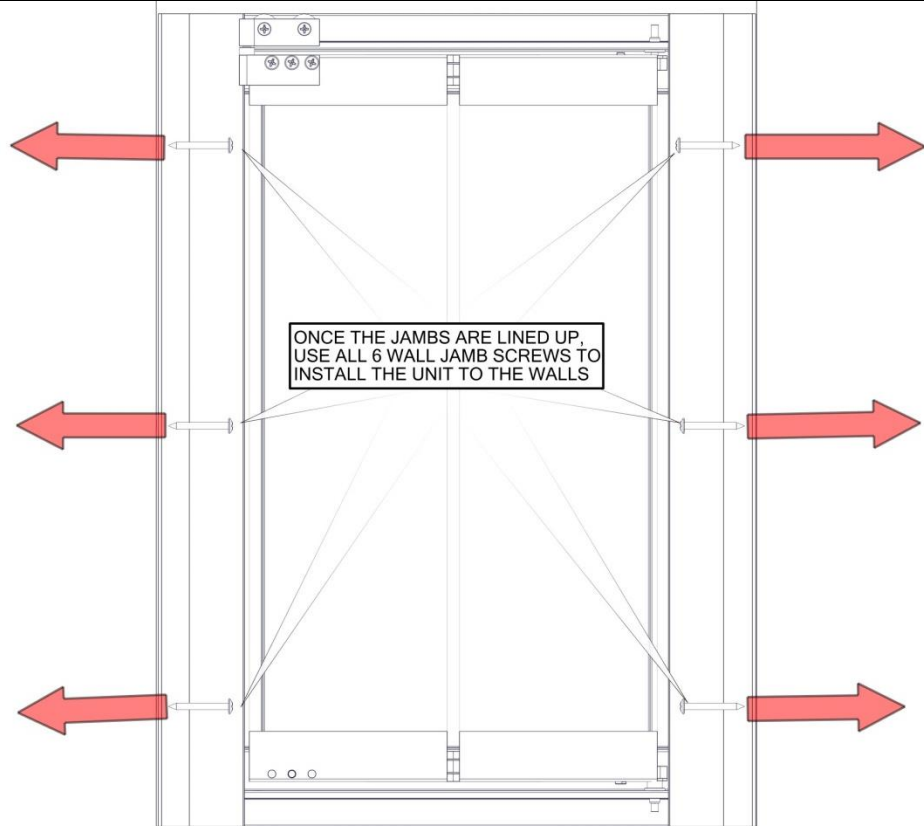
27



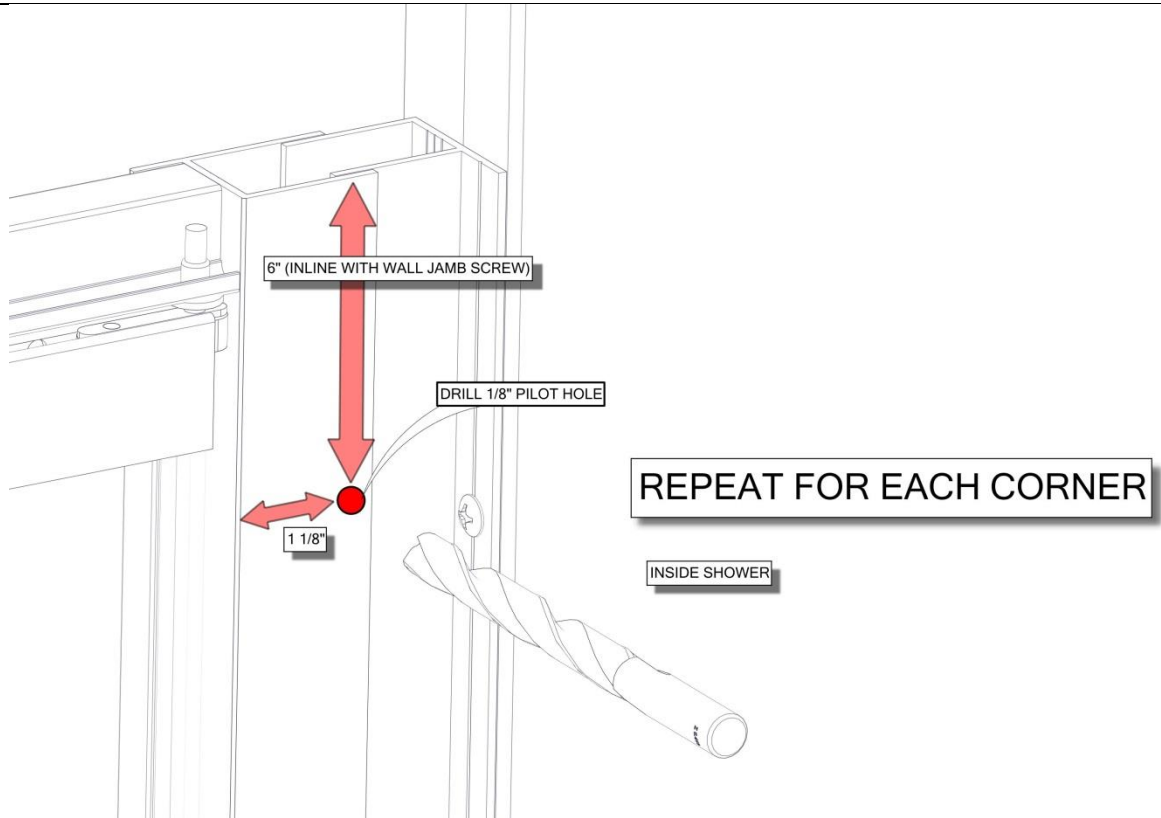
28



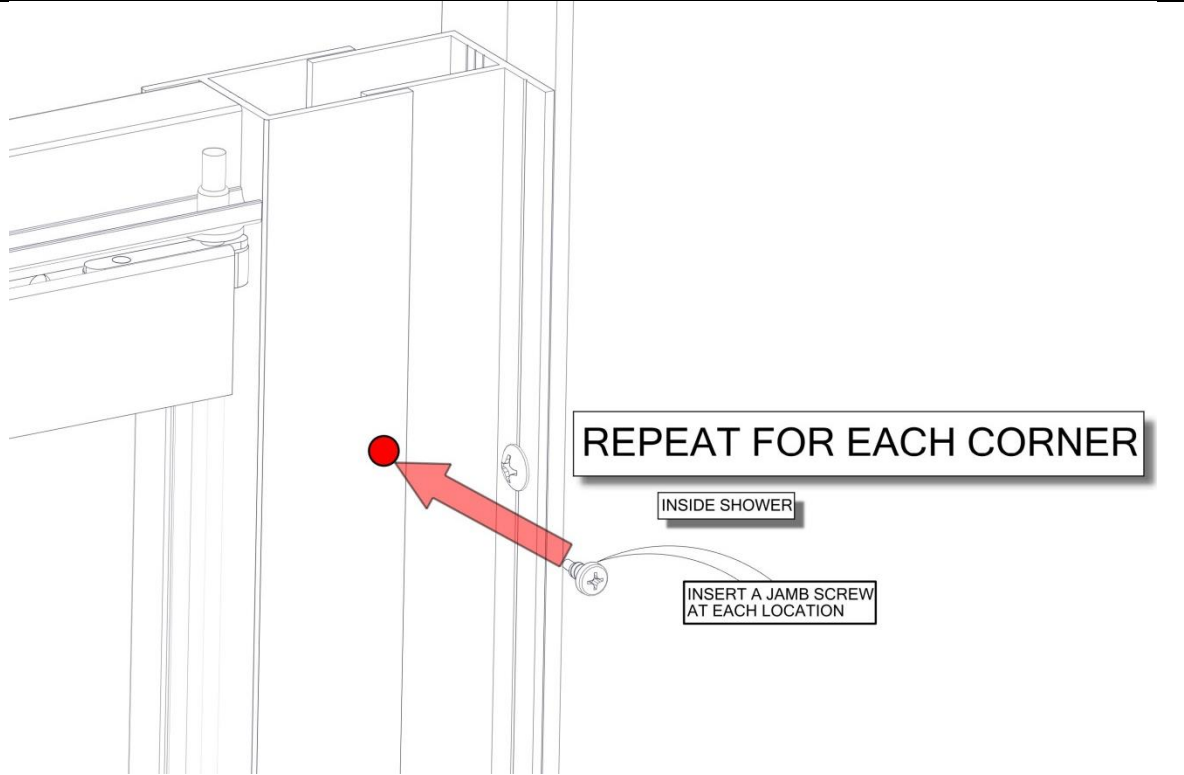
29



30



31

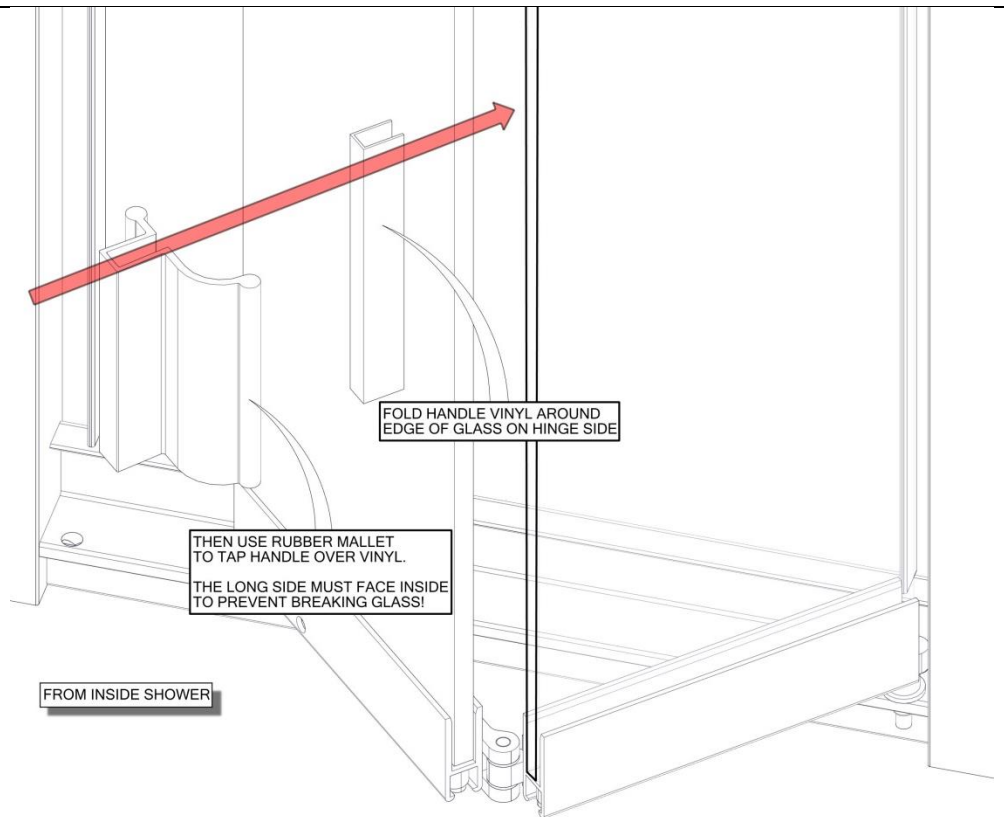


Remove the masking tape holding the glass in place.

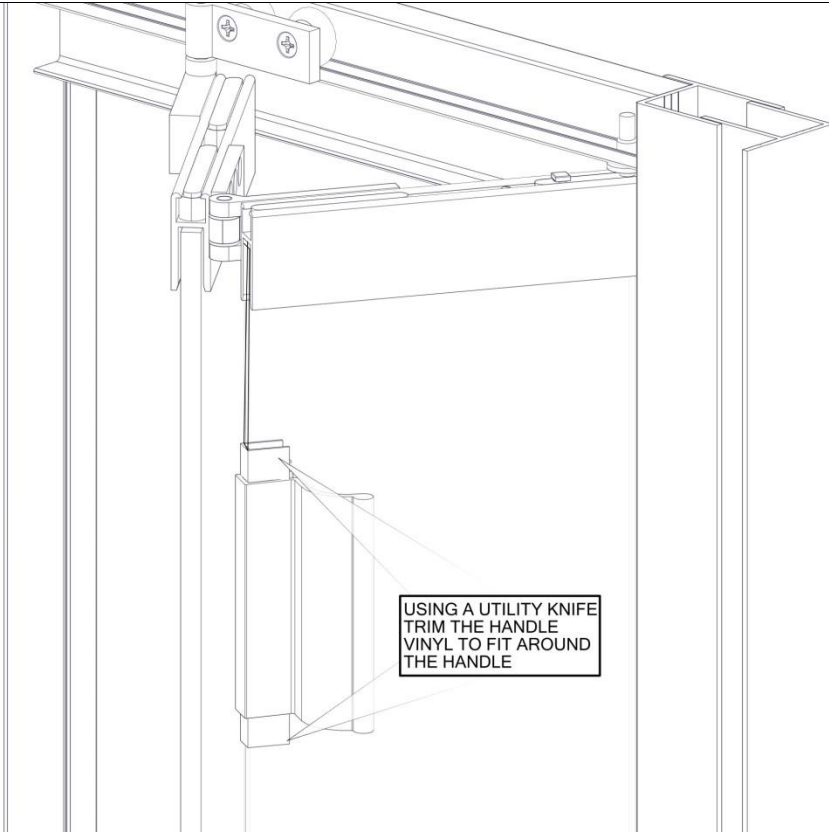
32

Open the door about 1/2 way.

Install the handle



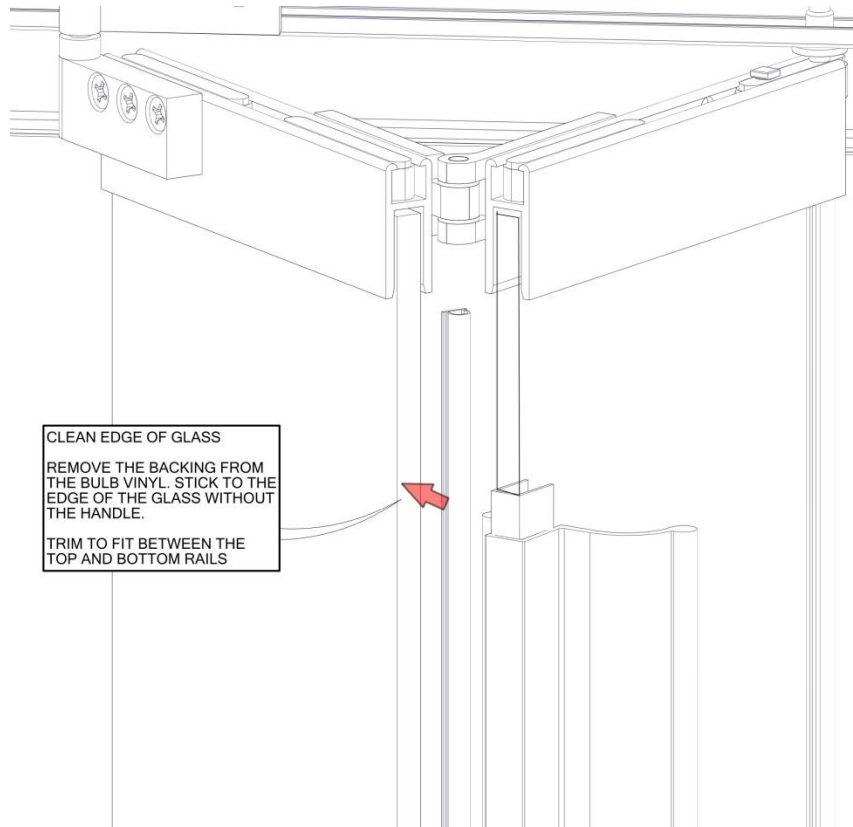
33



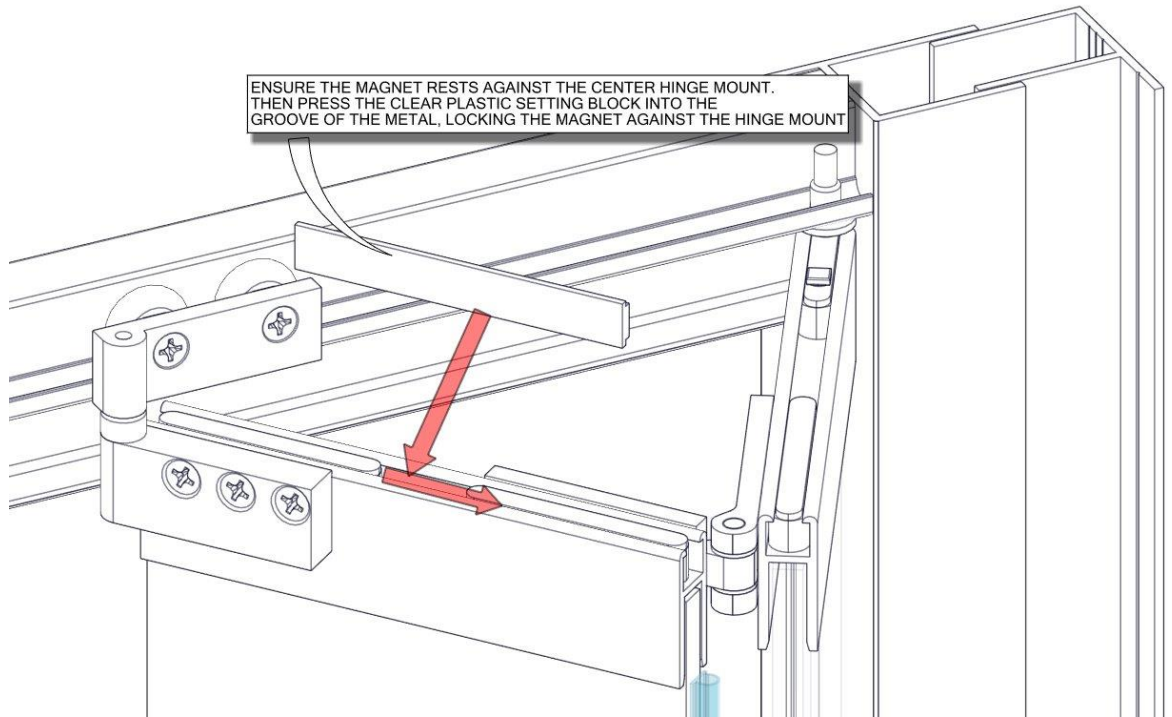
34

Use the supplied alcohol pad to clean the edge of the glass.

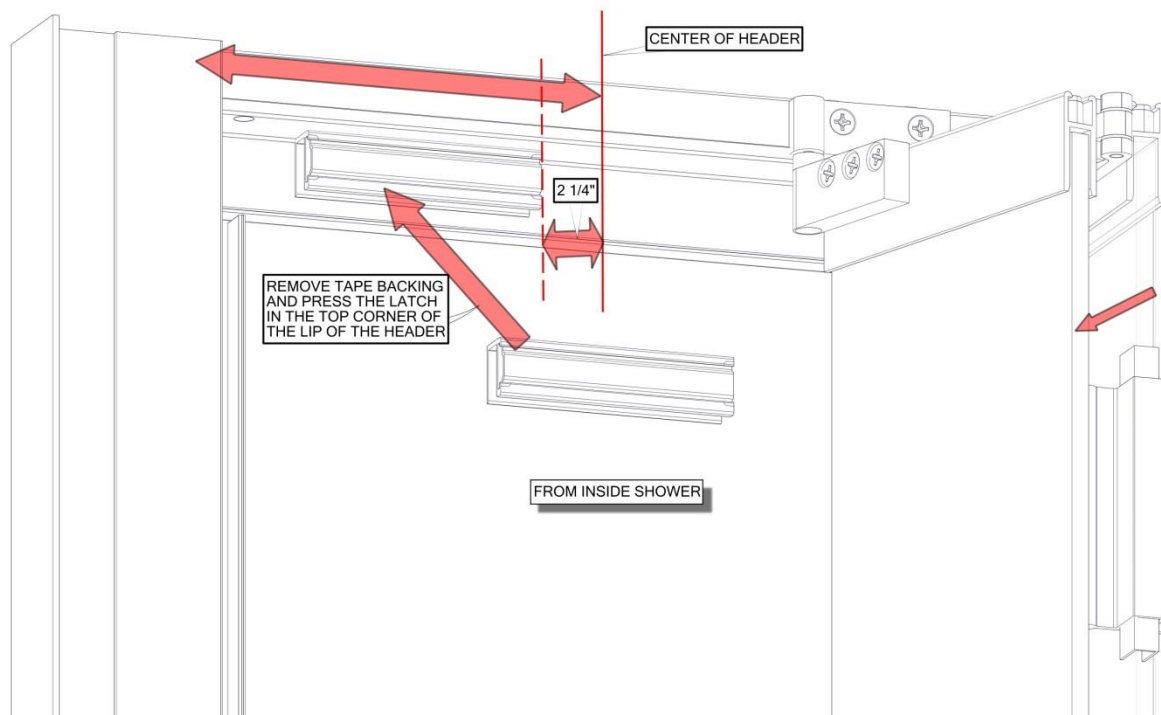
Make sure the glass is clean and dry before sticking the vinyl to the glass.



35

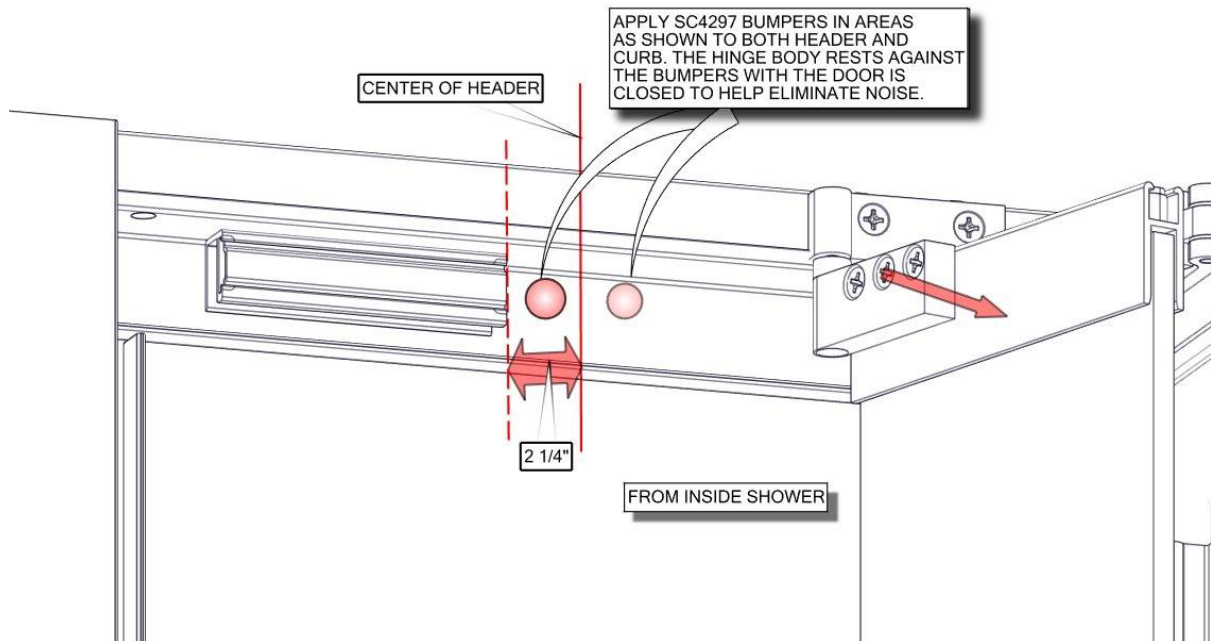


36





37



38

