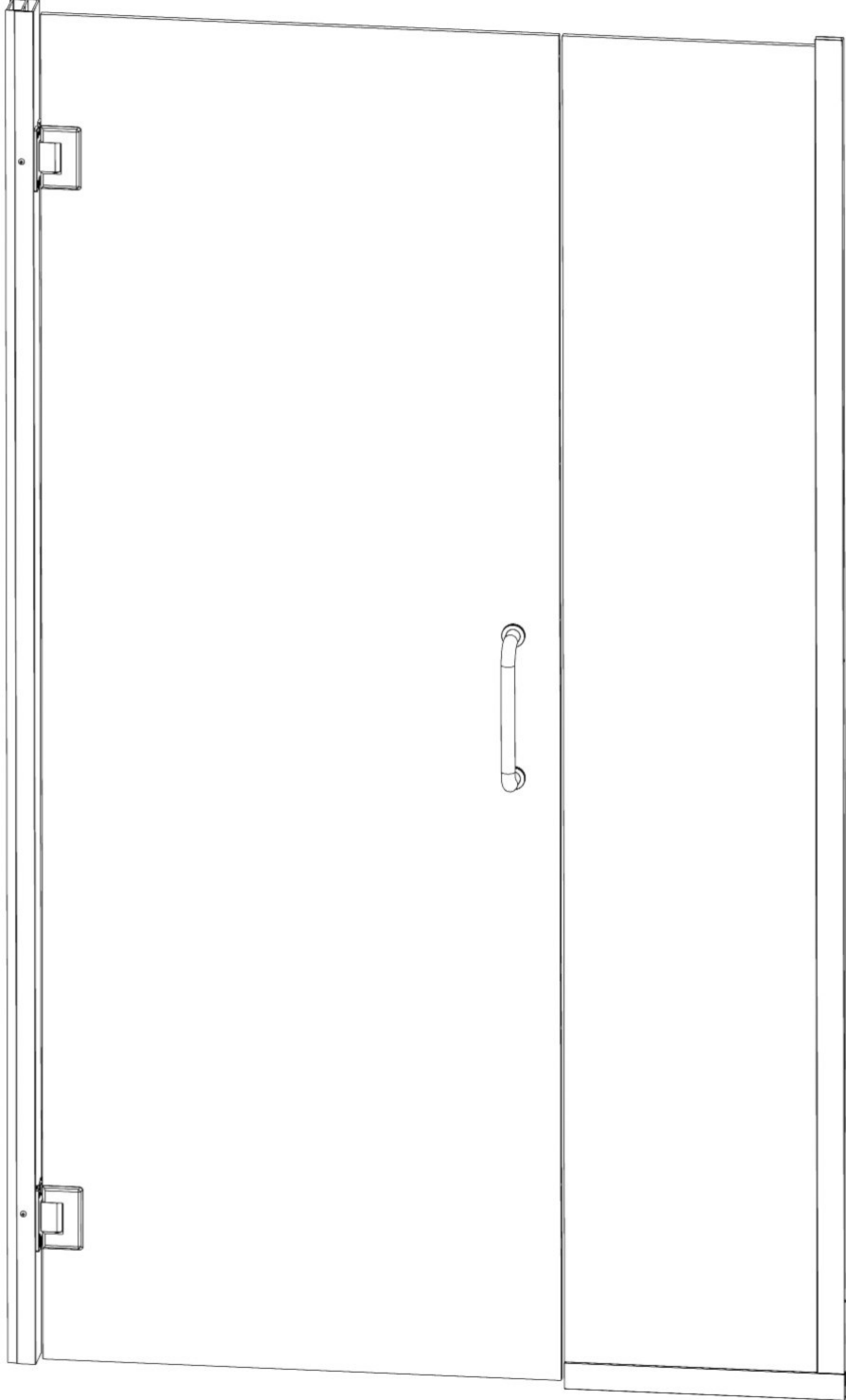


Adjustable Door and Panel



Tools:

To install your RODA Shower Enclosure, you may need the following:

- Pencil
- Low Tack Tape
- Tape Measure
- 2', & 4' Levels
- #2 Phillips Screwdriver
- Drill
- 1/8", 5/32", 3/16", 5/16" Metal Drill Bits
- 3/16" or 5/16" maybe required in some installations
- Center Punch
- Files
- Hack Saw
- Caulk Gun
- Clear Silicone Caulk
- Suction Cups
- 7/16" shims

Safety Notes:

- This unit is best installed by two people.
- Handle the glass panels carefully and protect the edges. Safety tempered glass is very resistant to breakage, but the sharp corners of the panels can damage tile, flooring surfaces, and easily damaged at the corners.
- The glass can break if unequal pressure is applied during installation.
- Please wear safety glasses whenever drilling or cutting. When drilling holes in ceramic tile or marble, use a center punch and hammer to carefully break the glazed surface to prevent skidding when drilling.

NOTE: Tempered glass cannot be cut.

Installation Notes:

- This unit may be installed on a walls without proper blocking, including fiberglass and acrylic walls. Proper use of the described anchors and silicone is required.
- If blocking is available for installation, DO NOT use wall inserts. Screw directly into the wooden blocking.
- U-Channel may be installed using wall plugs where no backing is found.
- Use caution to not pierce plumbing or electric lines while installing door hardware.
- Cover the drain with tape prior to installation to prevent loss of small parts.
- Unpack your unit carefully and inspect for freight damage. Lay out and identify all parts using the instruction sheet as a reference. Before discarding the carton, check to see that no small hardware parts have fallen to the bottom of the box. If any parts are damaged or missing, refer to the description noted in the instructions when contacting your dealer for replacements.

Maintenance:

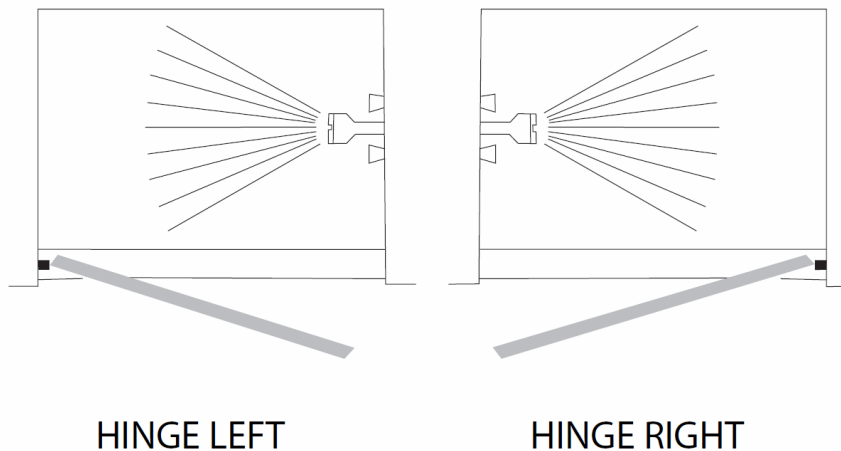
Two primary materials are used to manufacture your new Basco shower enclosure: tempered glass and anodized aluminum. To assure a long lasting finish on the enclosure, wipe it down with a towel after each use.

For occasional, more concentrated cleaning efforts, we find that **Lysol® Non-Abrasive Bathroom Cleaner** works extremely well. Be sure that any over spray falling on the aluminum frame is rinsed thoroughly and dried. Many over-the-counter cleaners, if applied to the aluminum and left on, will harm the metal finish and cause permanent damage even though their directions indicate safe use on shower doors. Never use a scouring agent to clean the aluminum.

For units with **AquaglideXP** Basco recommends the use of **Maintain Spray** on the glass. Please contact customer service for details.

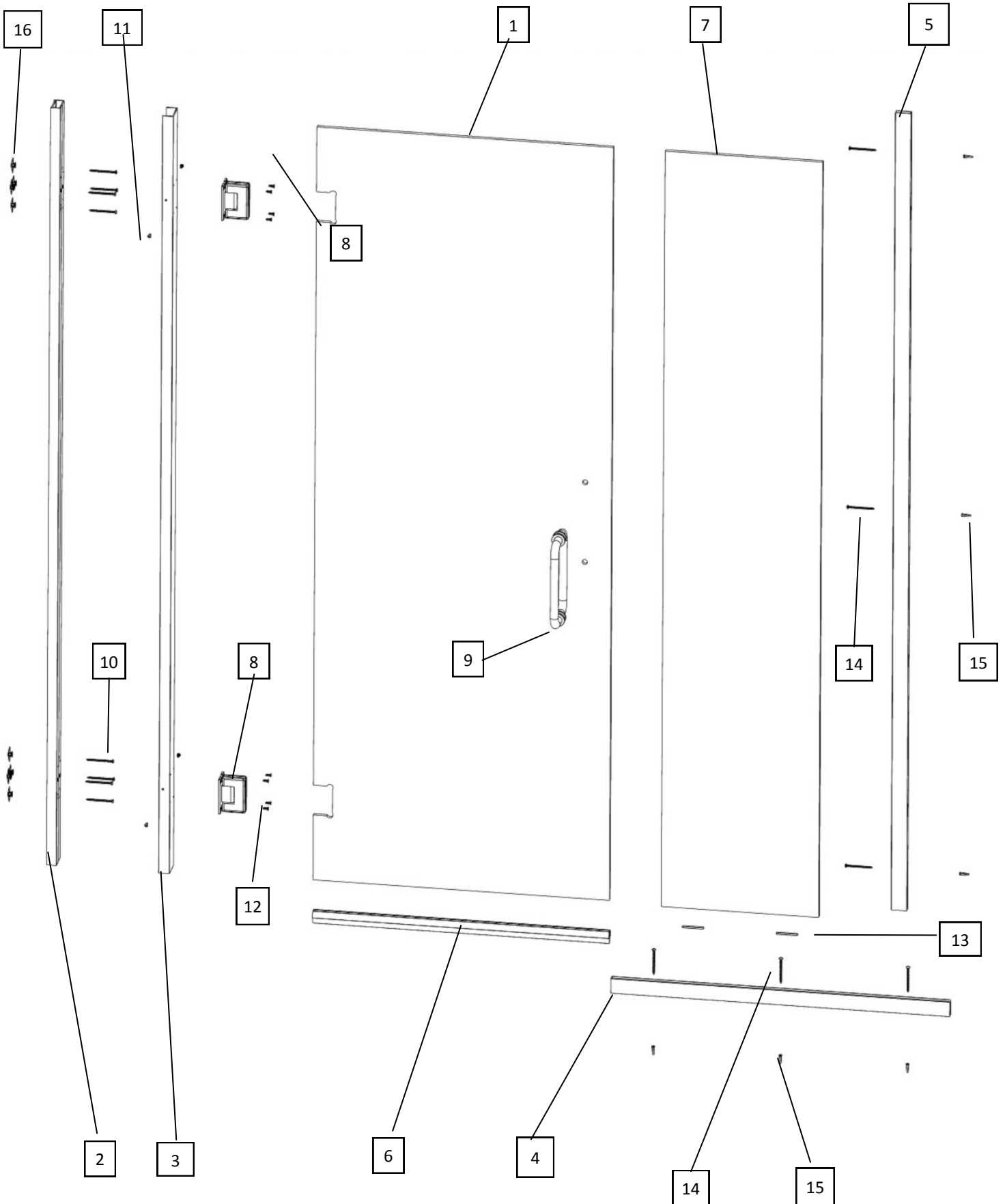
Orientation Note:

This unit is completely reversible and may be installed hinge-right or hinge-left. Refer to the illustration to determine the best position of the hinge for your installation. For maximum water proofing, the hinge jamb should always be opposite the shower head.



CAUTION: For safety purposes, the door **MUST ALWAYS** open outward.

Adjustable Door & Panel Parts View



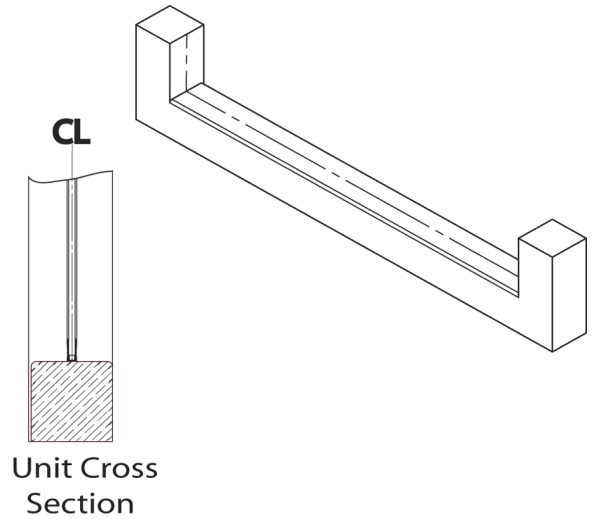
Adjustable 935 Parts List

ITEM NO.	Part #	DESCRIPTION	QTY
1		Glass Door	1
2	SC982	Hinge Jamb	1
3	SC983	Adjustable Hinge Jamb	1
4	SC925	Threshold U-Channel	1
5	SC925	Wall U-Channel	1
6	SCV920	Drip Vinyl	1
7		Glass Panel	1
8	HG1J	Wall Mount Hinge	2
9	PU1D	Back to Back Pull	1
	PPHVY03XX	Heavy Adjustable Unit Parts Pak	1
10	SCR10	#8 x 1 1/2" Truss Head Screw	10
11	SCR28	#8 x 1/2" Threading Truss Head Screw	6
12	SCR29	#8 x 5/8" Threading Flat Head Screw	8
13		Setting Block (s)	2+
14	SCR09	#8 x 1 1/2" Flat Head Screw	8
15	SC4106	Blue Wall Anchor	8
16	TA Wall Plug	TA Wall Anchors	8
-	TKRED	Wall Anchor Key	1
-		Alcohol Pad	3
-		1/16" Setting Blocks	8
-		1/8" Setting Blocks	8
-		1/4" Setting Blocks	2

Note: You will not use every part in the Parts Pak. Some extra hardware is provided for your convenience. The Parts Pak is used on multiple style doors which may use other parts than required for your installation.

- 1** Lightly mark a continuous unit centerline on the threshold.
Next, mark a continuous unit centerline up each wall, starting where the threshold centerline meets the wall. Use a level to ensure the wall centerline is plumb and straight. The wall centerlines should be a minimum of the unit height from the threshold.

Note: It is extremely important the unit centerline be continuous and straight to ensure proper installation.

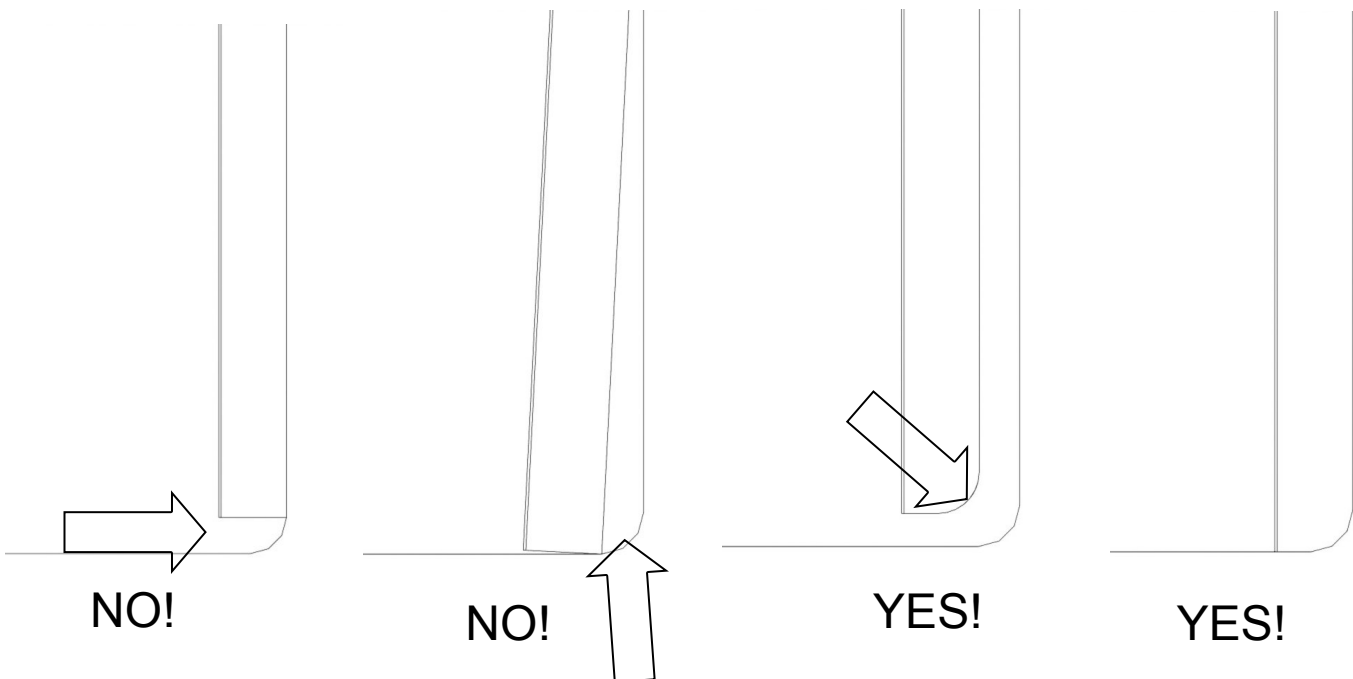


Centerline (CL) is a term used to describe the center or mid-point of the unit. The most common unit centerline position is the middle of the threshold. CL is marked in when visible in images.

- 2** On the wall selected for installation of the door, check the fit of **SC982 Hinge Jamb [2]** where the threshold and wall meet. In many cases the corner will need to be contoured to fit a radius. Contour the corner as required to ensure proper contact with the wall and threshold.

Proper fit in this area allows the door to be installed on a fiberglass enclosure or walls with no blocking. Failure to radius the corner for proper fit may cause the door to fall causing property damage and bodily harm.

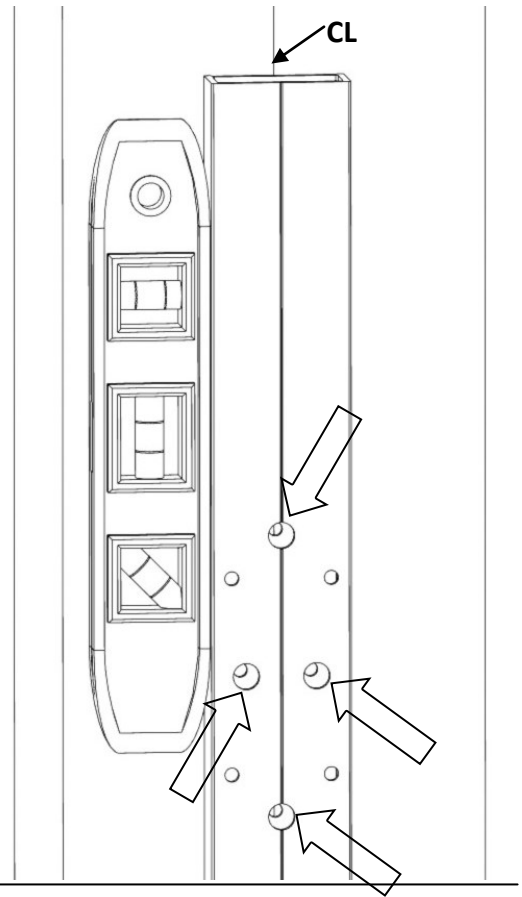
Note: It is imperative that SC982 rest on the threshold. Out-of-Level conditions may dictate the door and SC983 jamb assembly be raised such that SC983 does not contact the threshold. This installation is permissible.



- 3** Place the **SC982 Wall Jamb [2]** on the wall. Using a level, line the center of the wall jamb up with the centerline marked in step 1 and make it plumb. Mark the 8 holes (4 at each hinge) on the wall for securing.

The centerline should run through the center holes.

NOTE: The customer may move the location of the mounting screws up or down 3". The customer is responsible for drilling new holes at the required location. All 4 holes are required to be used. The diamond pattern is also required.



- 4** Remove the **Wall Jamb [2]** and drill holes for mounting screws as required. See **Table 1** for drilling details.

Table 1 - Mounting Hole Drilling Requirements

	Wall Material		
	Any	Fiberglass	Tile/Other
Blocking Available In Wall	YES	NO	NO
Finish Material Drill Diameter	3/16"	5/16"	5/16"
Blocking Drill Diameter	1/8"	Not Applicable	Not Applicable
Insert Required	NONE	Included	Customer Provided ¹
Total Wall Thickness	All ²	1/4" or less	Over 1/4" ²

- 1) Basco includes the required Toggler® brand wall plugs for installation on a fiberglass or acrylic shower unit. If your installation surface is different the customer maybe required to provide your own mounting hardware. Use only Toggler® brand wall plugs. Find the part number required for your wall thickness in **Table 2**. These are available for purchase at Lowe's® and Menards®.

- 2) If finished wall material is over 3/4" the customer will be required to provide their own mounting screw. Basco recommends #8x3" stainless steel truss head screws for finished wall material over 3/4".

- 3) If wall material thickness is between thicknesses and require inserts use the insert for the thinner size

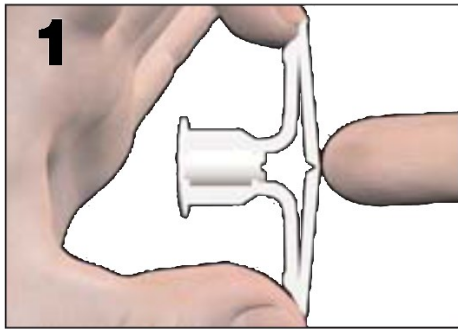
Table 2 - Wall Inserts

Wall Thickness ³	Part Number			
	Toggler®	Lowe's®	Menards®	
1/8" to 1/4"	TA	50275	INCLUDED	
3/8" to 1/2"	TB	50300	114767	2344078
5/8" to 3/4"	TC	50325	114823	2344065

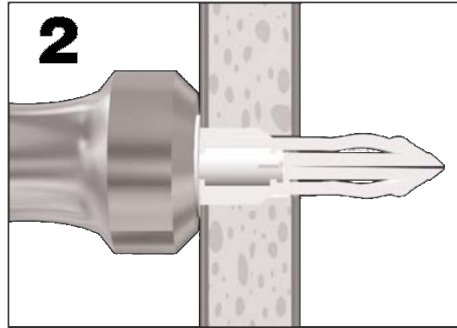
5 IF WALL ANCHORS ARE REQUIRED FOR INSTALLATION

Drill 5/16" diameter holes at each marked location.

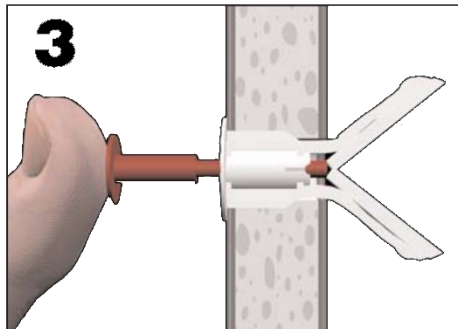
Install 1 TOGGLER® per hole following the manufacturers' installation instructions.



1
Fold anchor in middle



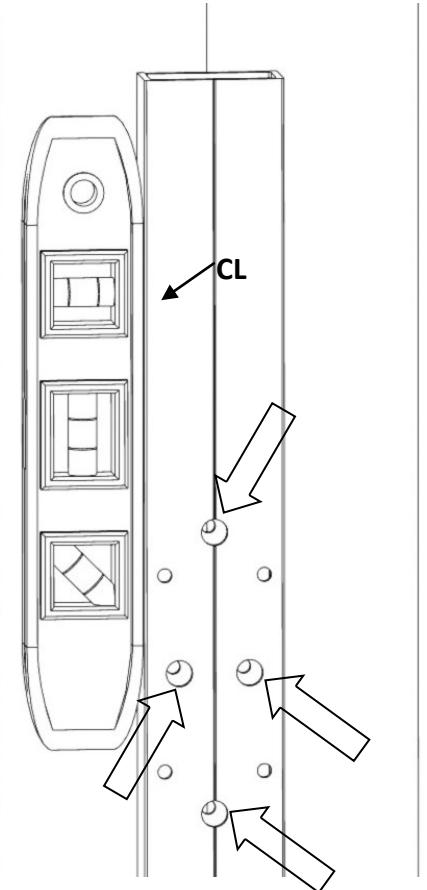
2
Insert anchor in hole and tap flush



3
Insert key to pop anchor open in wall.

Do not hammer key.

Remove key.



6 IF BLOCKING IS AVAILABLE IN THE WALL

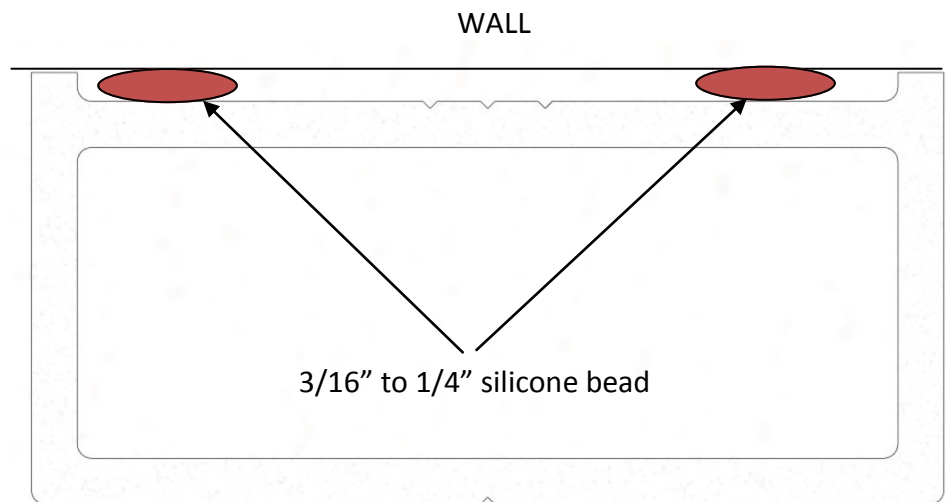
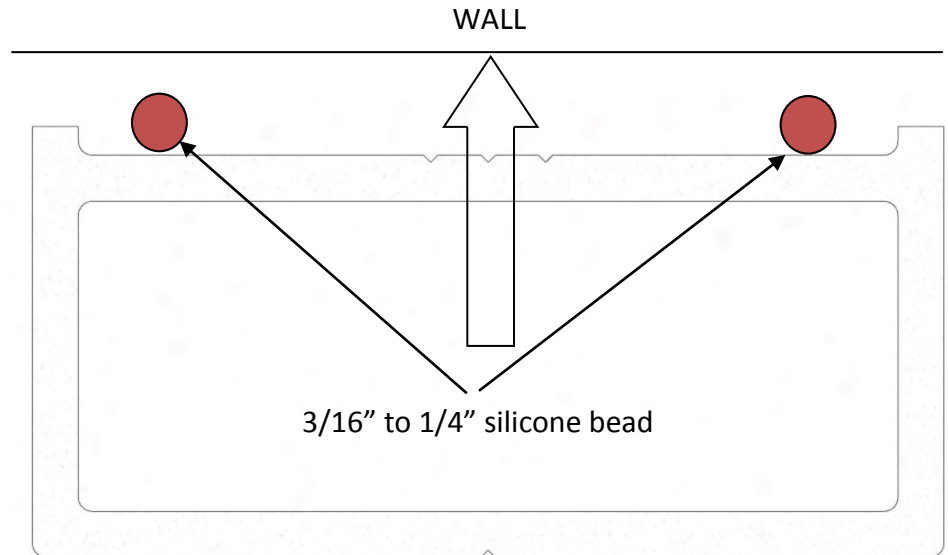
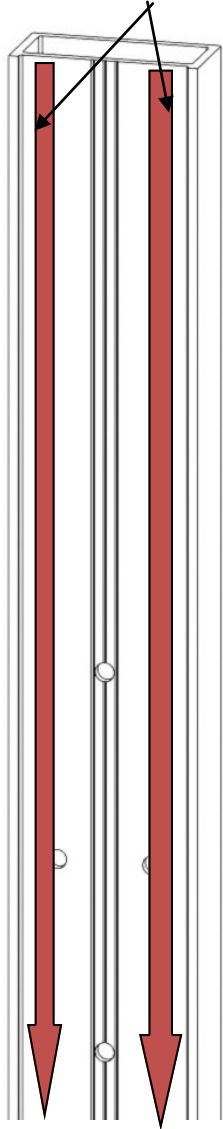
At each marked location, drill a 3/16" clearance hole through the finished wall material **only**.

Drill a 1/8" diameter pilot hole 1" deep into the blocking at the marked locations.

- 7** Using alcohol swabs from the Parts Pak, thoroughly clean and dry the area of the wall where jamb will be installed on. Also clean and dry the back of the **Wall Jamb [2]**

Apply a continuous 3/16" to 1/4" bead of silicone inside each leg of the **Wall Jamb [2]** where it meets the wall. The silicone should protrude past the leg it will contact the wall and spread out when **Wall Jamb [2]** is secured in place.

3/16" to 1/4" silicone bead



Wall Jamb secured to wall

- 8** Place a small amount of silicone in each screw hole.

Use a level again to make sure the wall jamb is installed plumb and in its final position.

Using, **#8 Truss Head Screw [10]** secure the **SC982 Wall Jamb [3]** to the wall.

If using power tools to install screws: Use caution so as to not strip the insert or backing, as applicable.

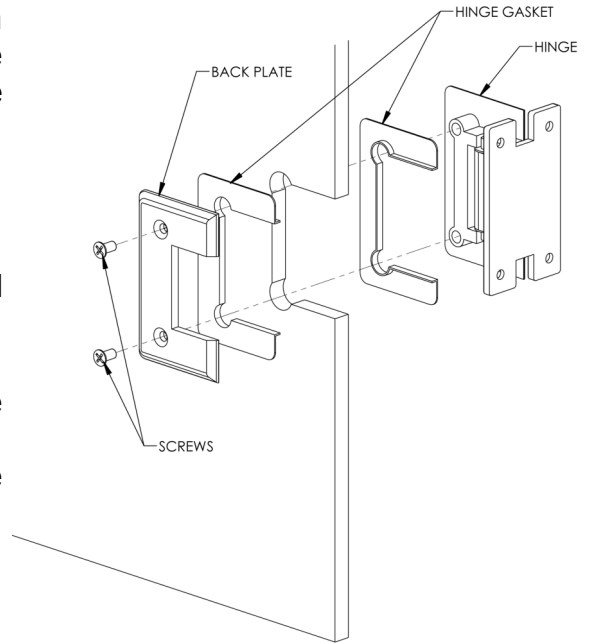
Clean up any visible silicone before it dries.

9 Using alcohol pads from the Parts Pak, wipe down the hinge notches and notch gasket areas on the **Door Panel Glass [1]**. Allow glass to dry before continuing.

Remove the back plates from both **HG1J Hinges [8]**.

Place a thick gasket on the **Hinge [8]** and place the fixed part of hinge onto the outside of the **Door Glass [1]**.

Next, place another thick gasket against the inside of the glass and attach the back plate with the screws provided. The interior of hinges must press firmly against top side of notch.



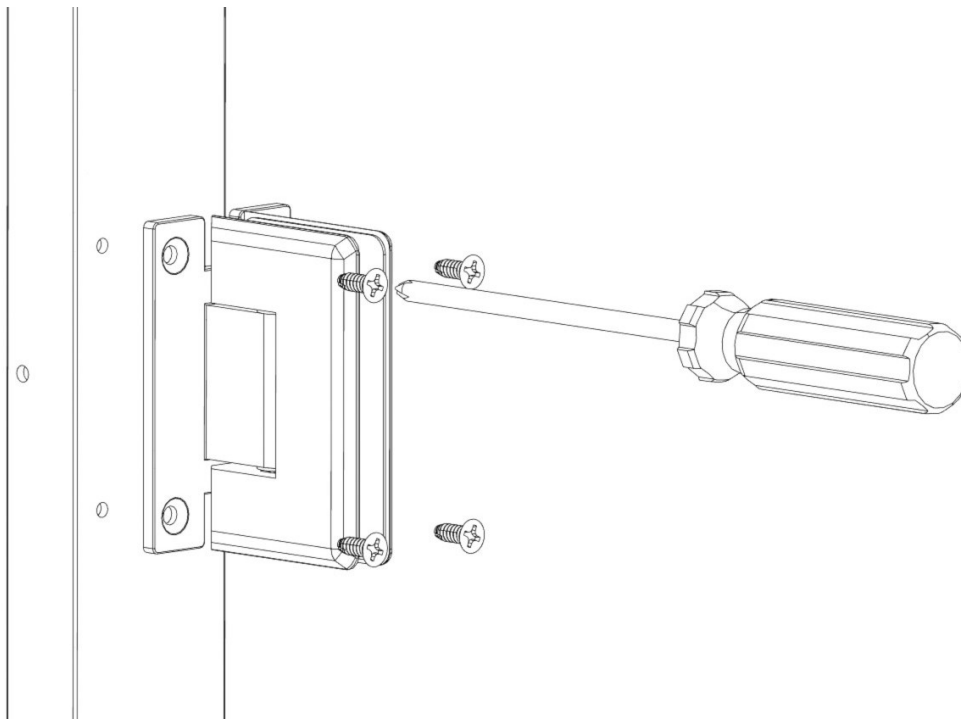
As viewed from inside of shower

10 Using a screw driver, use 8 **hinge mounting screws [12]** to attach both **HG1J Hinges [8]** to **SC982 Adjustable Jamb [3]**.

Hinge Mounting Screw [12] are self threading screws. The mounting holes, while pre-drilled, are not tapped by Basco. The screws will go in easily using a standard screw driver. If power tools are used to insert the screws, use caution so as to not strip the metal.

Loosen the screws from step 8 and adjust as required to achieve a 1/4" gap between the **Glass** and **Jamb**.

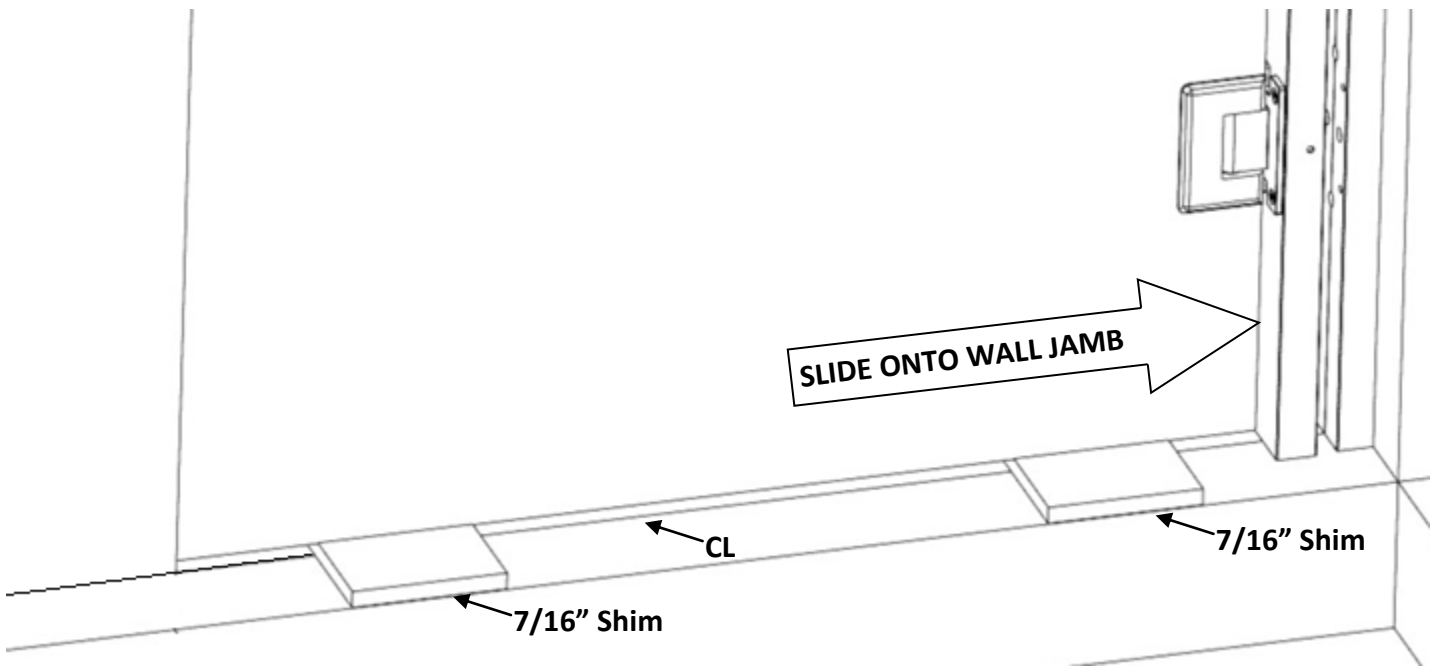
Be sure to tighten these screws again.



- 11** Place two 7/16" shims on the curb or threshold. These shims must remain in place throughout the installation process. You can stack setting blocks from the Parts Pak if required.

With the help of an assistant inside the shower, lift the **Door Glass Assembly** into the opening and set the panel on the shims. Slide the **Adjustable Wall Jamb [3]** over the **Hinge Wall Jamb [2]**.

Work together to make the door plumb and level, adding or removing shimming from under the door as required.



-
- 12** When the door is level and plumb, check the height of the glass from the threshold.

The **top of the door glass** must be **at least** the height of the **panel glass + 1/8"**.

Add shims under the glass if required to raise the glass. Check and re-level and re-plumb the glass.

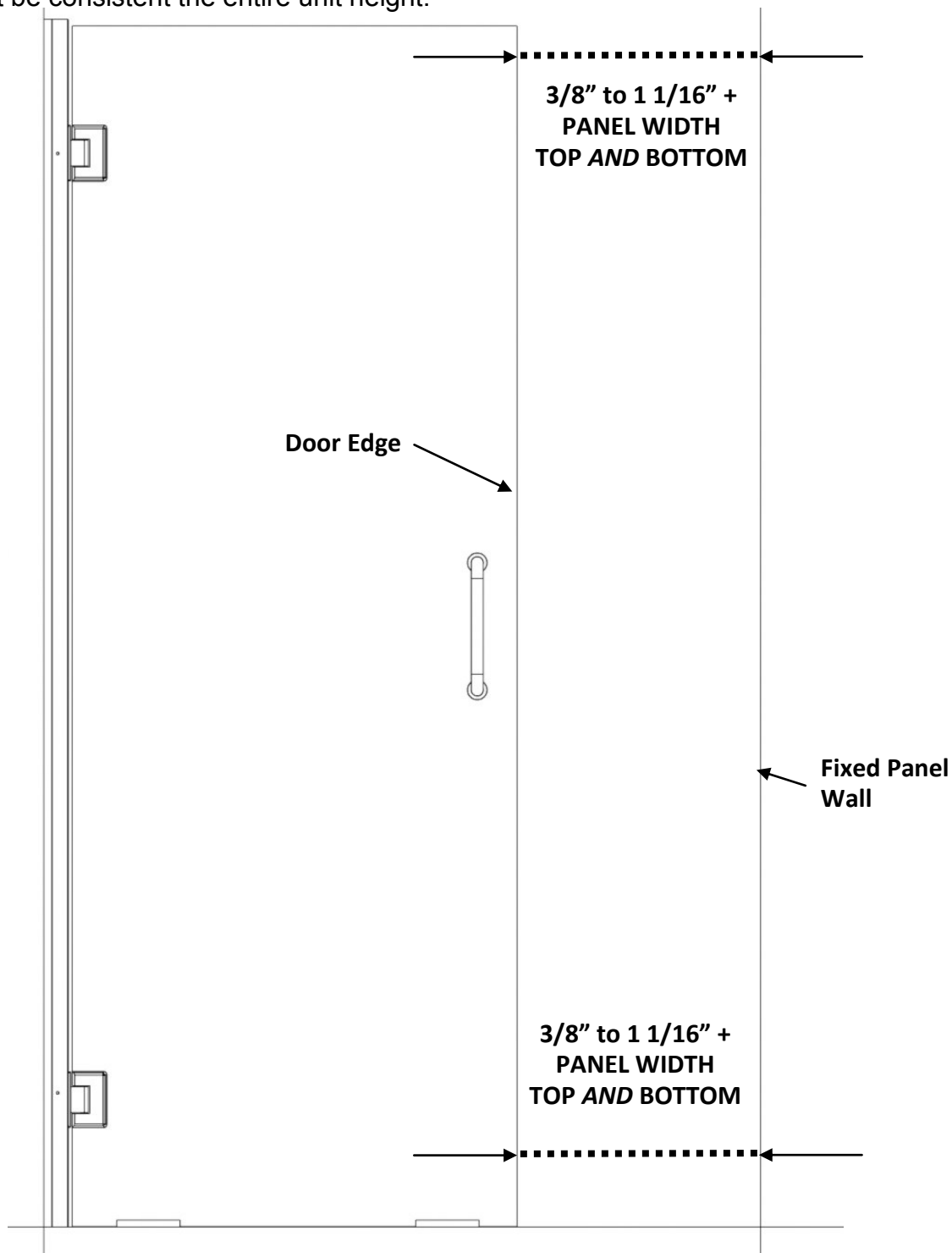
13 After the door is leveled, push or pull the door assembly as required to set the distance between the **Glass [1]** and the wall where the fixed panel will be.

Check the top and bottom of the door for the gap.

Set the gap at between **Panel Width + 3/8"** to **Panel Width + 1 1/16"**

If the panel is 12" wide, the distance between the glass and the wall should be 12 3/8" to 13 1/16"

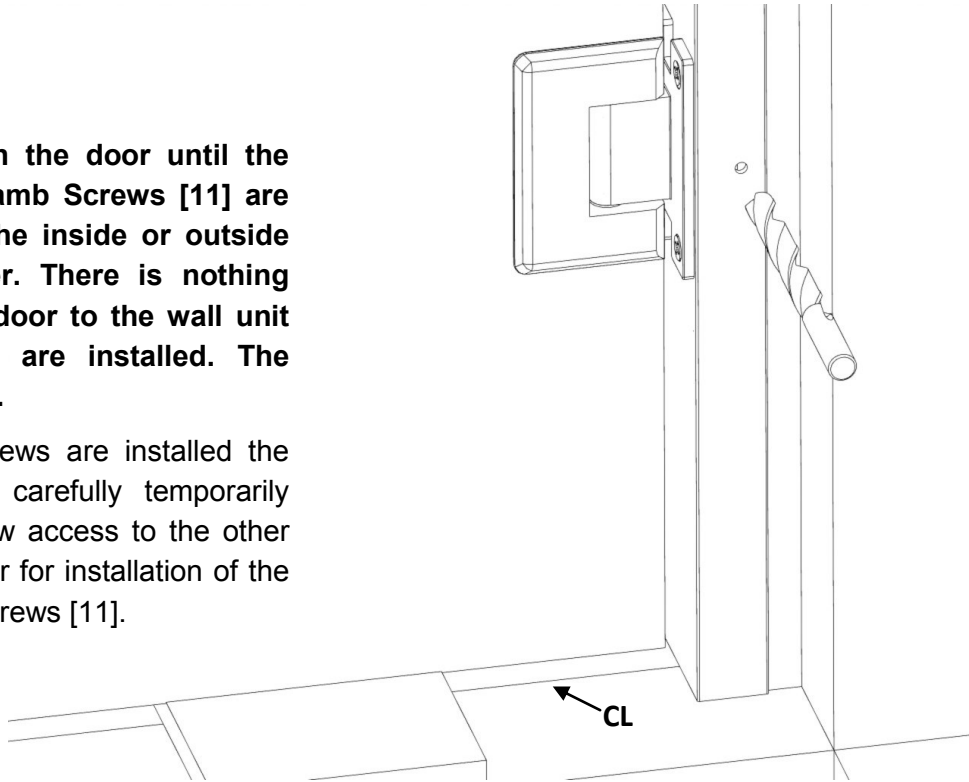
The u-channel at the wall allows for out-of-plumb and width adjustment. The distance from wall to door may not be consistent the entire unit height.



14 While keeping the door level, plumb, and with the correct gap at the strike; side drill 5/32" holes through the **SC982 Wall Jamb [2]** at the locations marked by the holes near each hinge in **SC983 Adjustable Jamb [3]**. The holes are on the side of the jamb, both inside and outside of the shower.

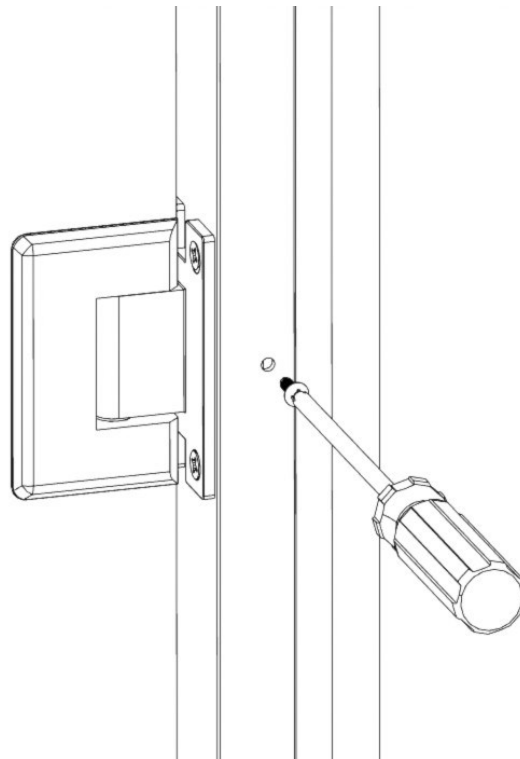
DO NOT open the door until the both Hinge Jamb Screws [11] are installed on the inside or outside of the shower. There is nothing securing the door to the wall unit these screws are installed. The door **WILL** fall.

Once both screws are installed the door may be carefully temporarily opened to allow access to the other side of the door for installation of the Hinge Jamb Screws [11].



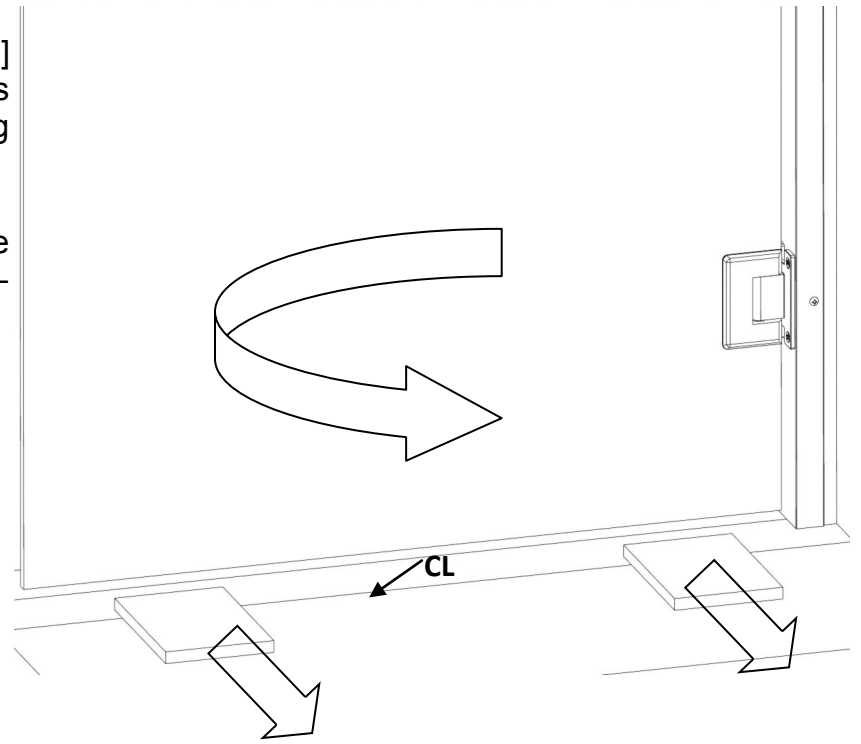
15 Insert **Hinge Jamb Screws [11]** into each hole drilled in step 18.

The screws will go in easily using a standard screw driver. If power tools are used to insert the screws, use caution so as to not strip the metal.



16 After all 4 **Hinge Jambs Screws [11]** are installed, remove the 7/16" shims and carefully open the door, making sure the glass does not contact anything.

Slowly open and close the door to ensure the hinges are in alignment and are operating smoothly.



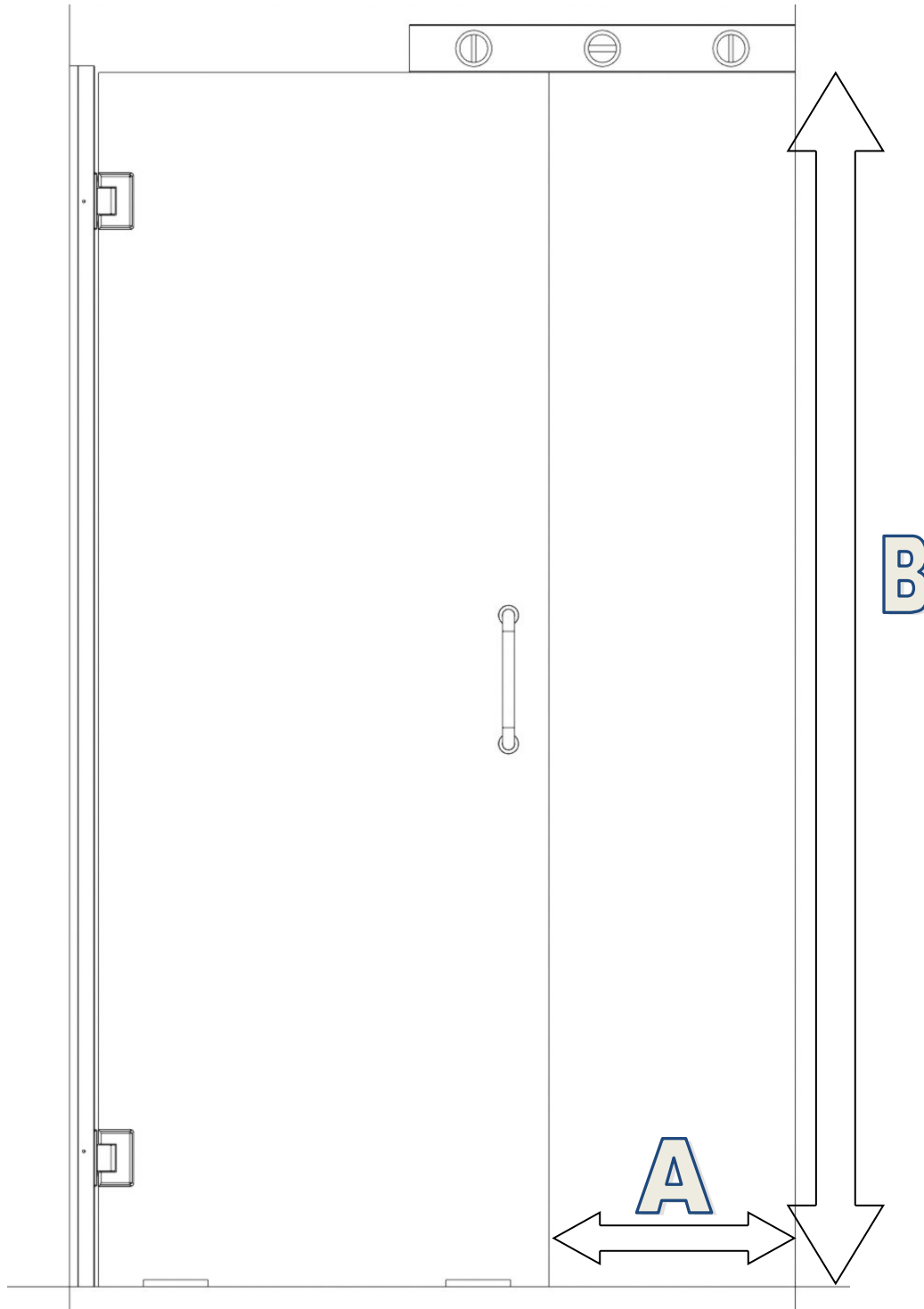
17 Measure for and cut the u-channel for the fixed panel.

To find the **Threshold U-Channel [4]** size, measure 'A', the distance from the wall to the door about an inch from the threshold.

Cut the **Threshold U-Channel [4]** Length = 'A' - 3/16".

To find the **Wall U-Channel [5]** size, measure 'B', the distance from the threshold to a level line at the top of the door glass.

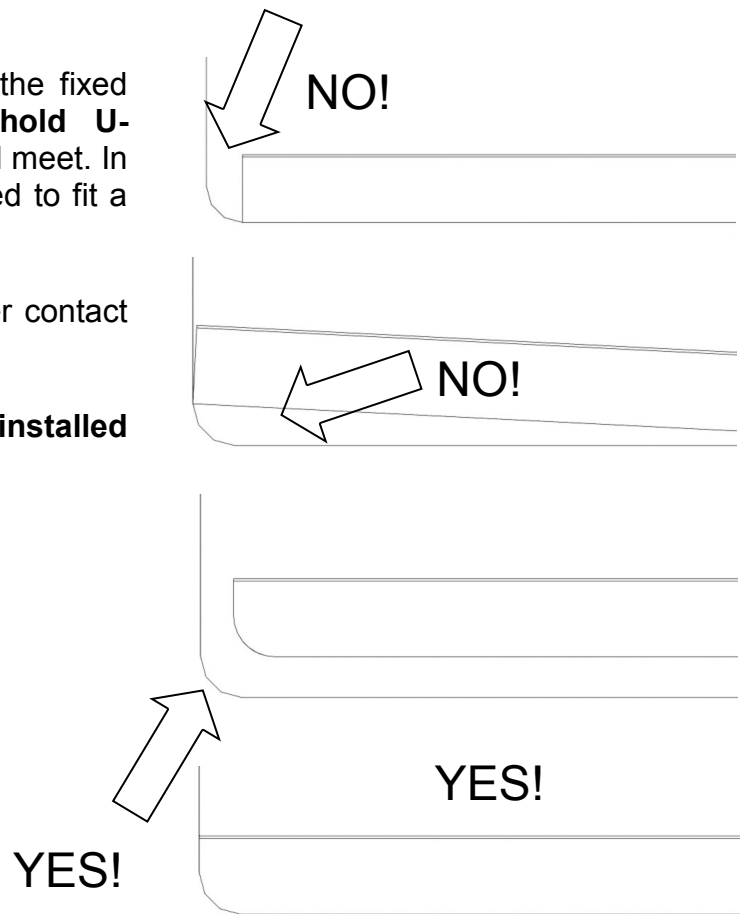
Cut the **Wall U-Channel [5]** Length = 'B' - 1 1/2".



18 On the wall selected for installation of the fixed panel, check the fit of **SC925 Threshold U-Channel [4]** where the threshold and wall meet. In many cases the corner will need to be contoured to fit a radius.

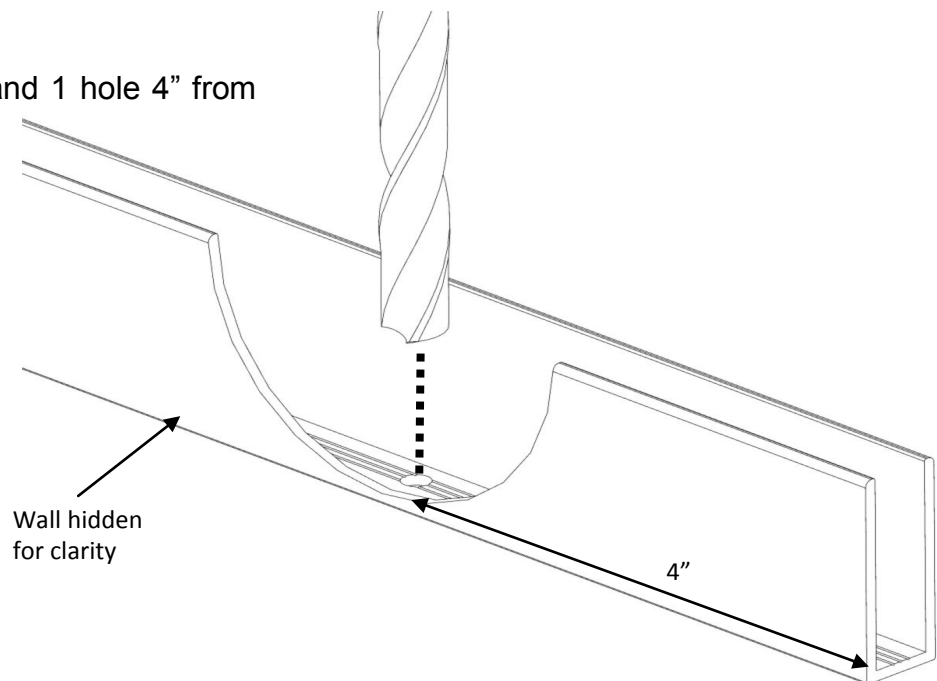
Contour the corner as required to ensure proper contact with the wall and threshold.

Proper fit in this area allows the door to be installed on a fiberglass enclosure.



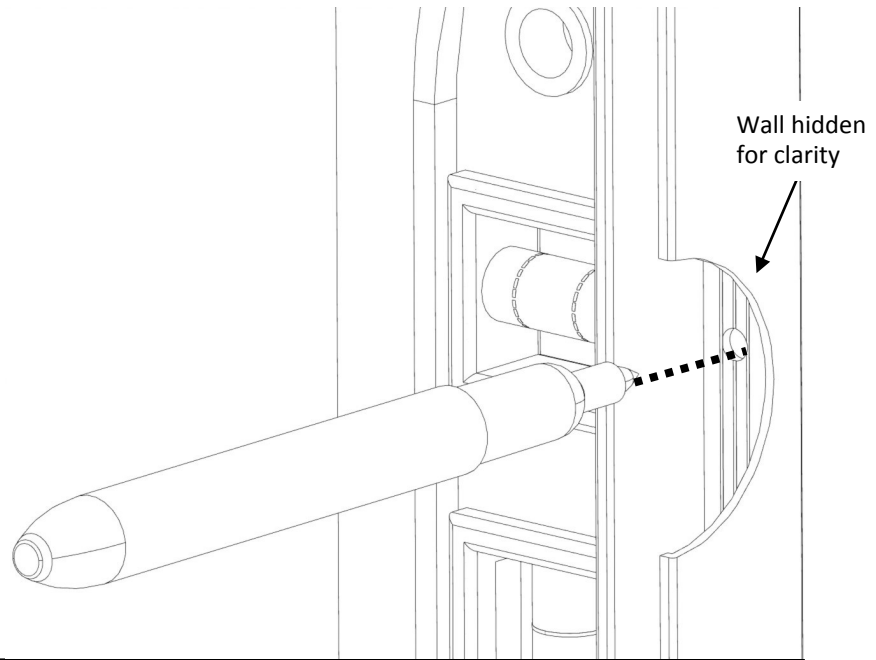
19 Drill 3 3/16" diameter holes along the centerline of the **SC925 Threshold U-Channel [4]**.

Place 1 hole in the center and 1 hole 4" from each end.



20 Align the **Threshold U-Channel [4]** along the centerline marked on the threshold.

Mark the hole locations on the wall.



21 Remove the jamb from the threshold. At each marked location, drill for installation of the jamb. Use **Table 3** to determine hole size and installation method for the u-channel

Table 3 - Mounting Hole Drilling Requirements

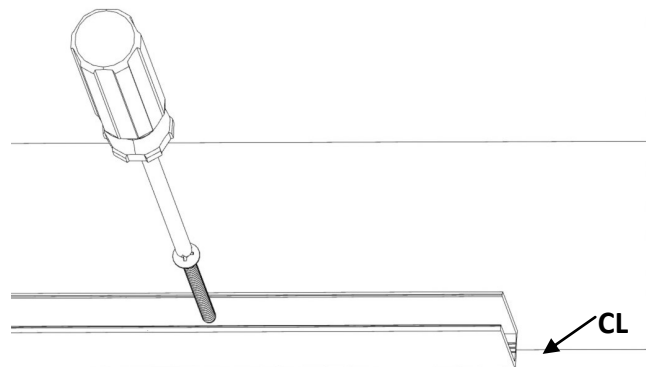
	Wall Material		
	Fiberglass or Acrylic	Fiberglass or Acrylic	Tile/Other
Reinforced Walls	YES	NO	-
Drill Diameter	1/8"	1/8"	3/16"
Insert Required	NO	No	Yes, Blue Insert

22 Insert a small amount of silicone into each drilled hole.

If applicable, insert a **Blue Wall Plug [15]** into the hole. Carefully cut the head flush with the wall using a razor blade.

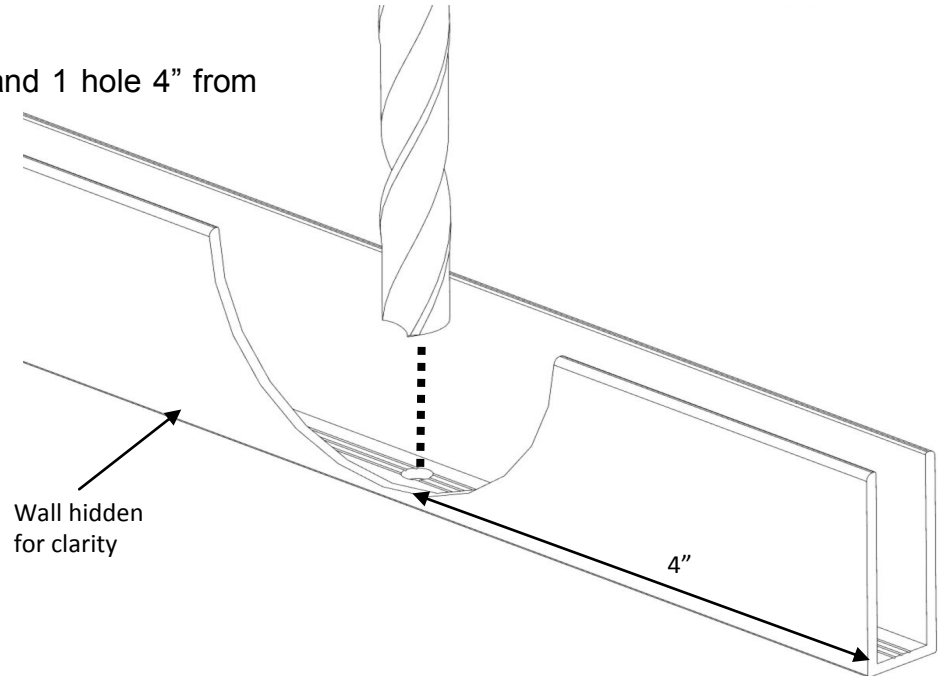
Position the u-channel and secure with **#8 Flat Head Screws [14]**.

Use caution so as to not strip the inserts or fiberglass wall material!



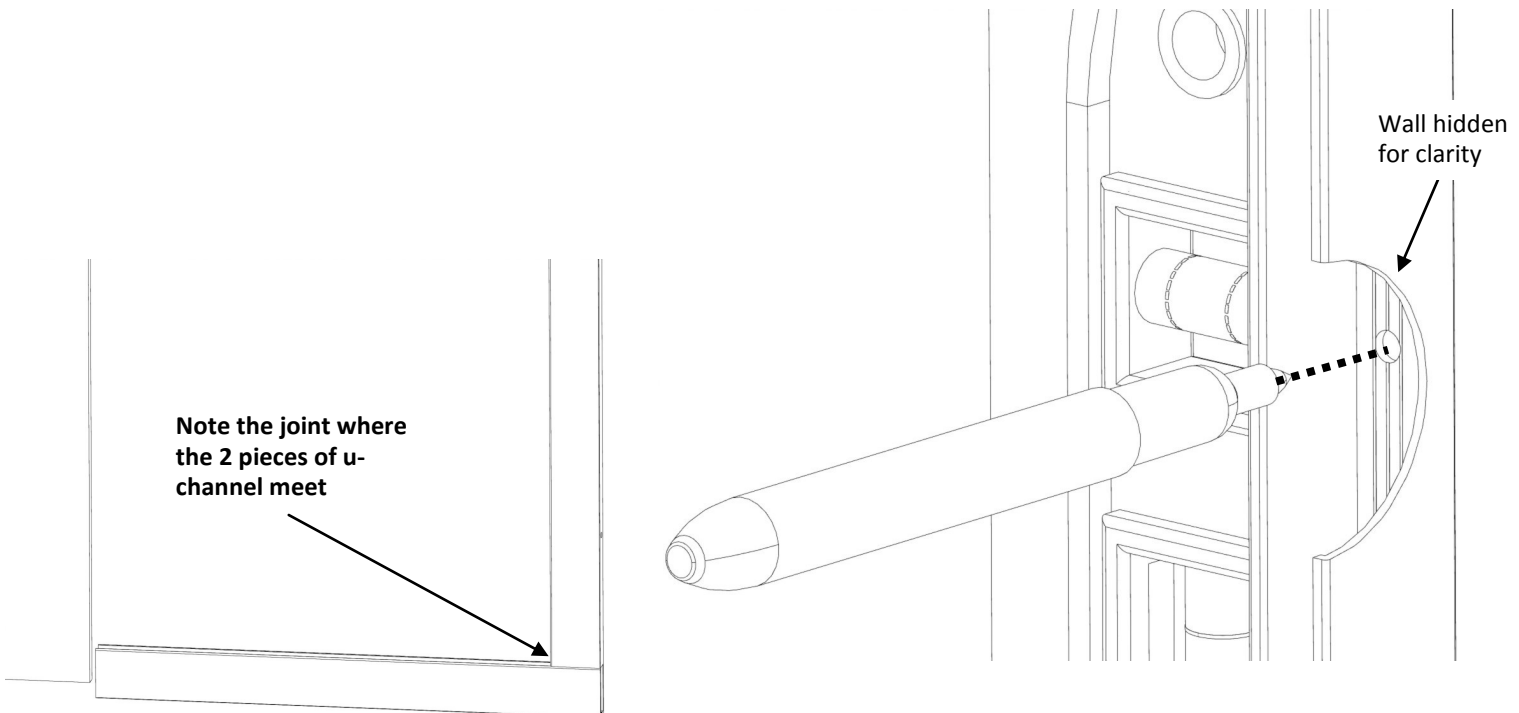
23 Drill 3 3/16" diameter holes along the centerline of the **SC925 Wall U-Channel [5]**.

Place 1 hole in the center and 1 hole 4" from each end.



24 Align and plumb the **Wall U-Channel [5]** along the centerline marked on the wall.

Mark the hole locations on the wall.



25 Remove the jamb from the threshold. At each marked location, drill for installation of the u-channel. Use **Table 3** to determine hole size and installation method for the strike jamb

Table 3 - Mounting Hole Drilling Requirements

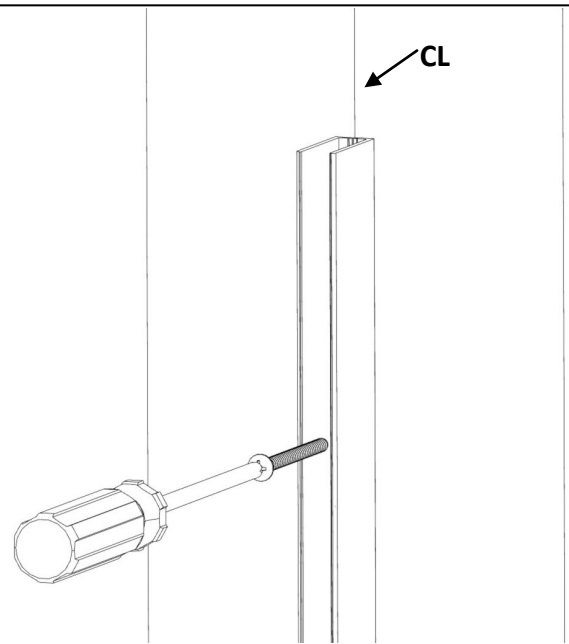
	Wall Material		
	Fiberglass or Acrylic	Fiberglass or Acrylic	Tile/Other
Reinforced Walls	YES	NO	-
Drill Diameter	1/8"	1/8"	3/16"
Insert Required	NO	No	Yes, Blue Insert

26 Insert a small amount of silicone into each drilled hole.

If applicable, insert a **Blue Wall Plug [15]** into the hole. Carefully cut the head flush with the wall using a razor blade.

Position the u-channel and secure with **#8 Flat Head Screws [14]**.

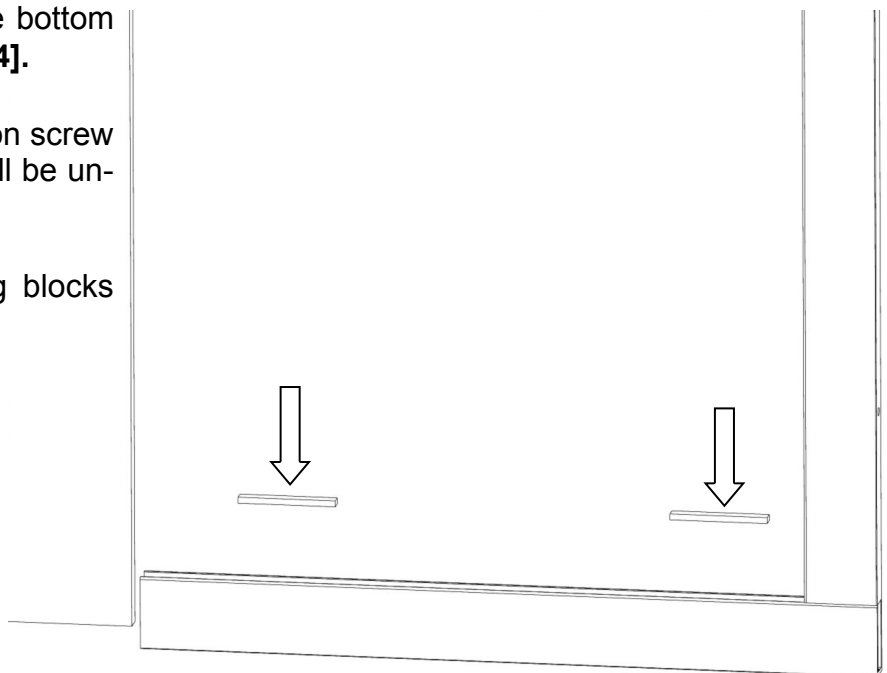
Use caution so as to not strip the inserts or fiberglass wall material!



27 Place 2 **setting blocks** in the bottom of the **Threshold U-Channel [4]**.

Put the setting blocks near, but not on screw heads. Be sure the setting blocks will be under the glass.

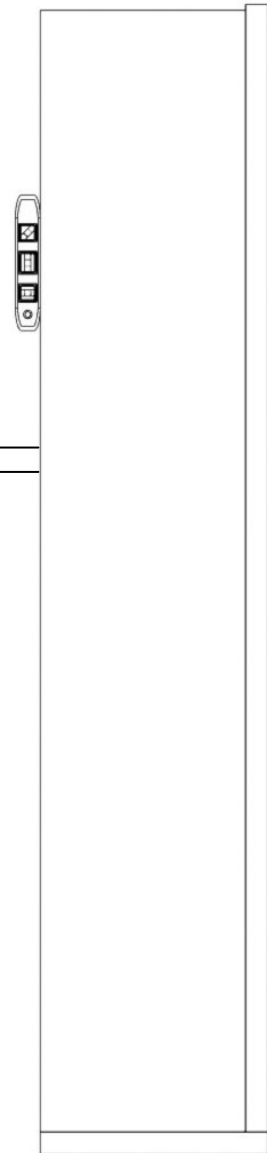
If the threshold is level, the setting blocks should be 1/8".



28 Open the door. Place the **Panel Glass [7]** into the u-channel, making sure it sits on the setting blocks. Check the panel for level and plumb.

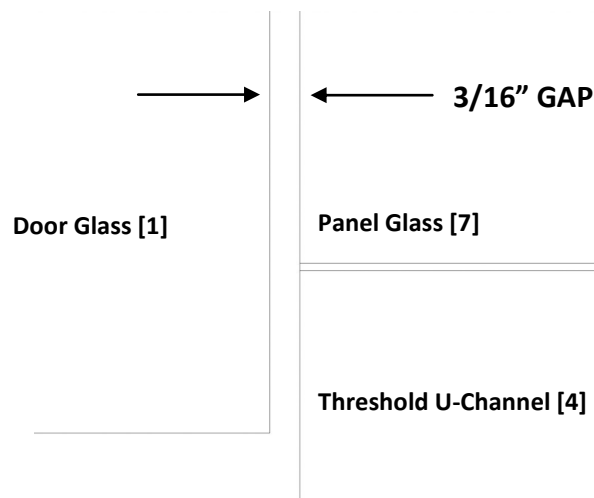
If required, remove the panel and adjust the total size of the setting blocks to adjust the panel for height and plumb.

The setting blocks maybe stacked as required.



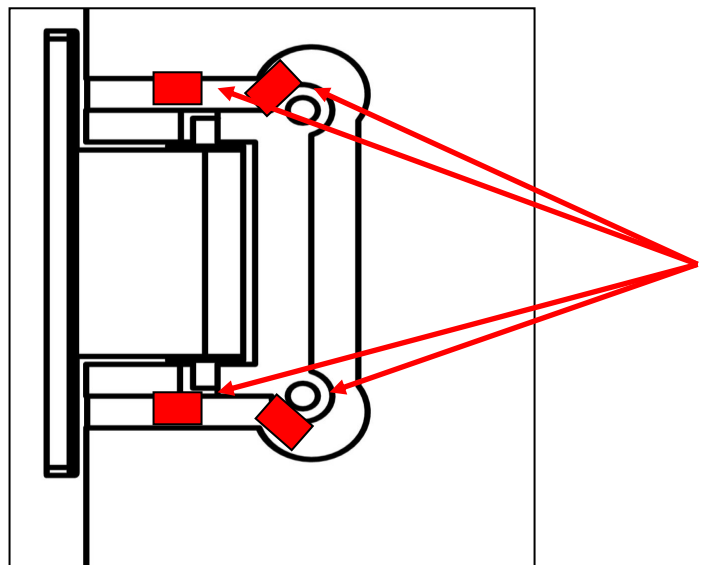
29 Pull the panel to the edge of the **Threshold U-Channel [4]**.

Carefully close the door. Check for a consistent 3/16" gap between the door and panel. Adjust the panel's position as necessary to achieve the proper gap.



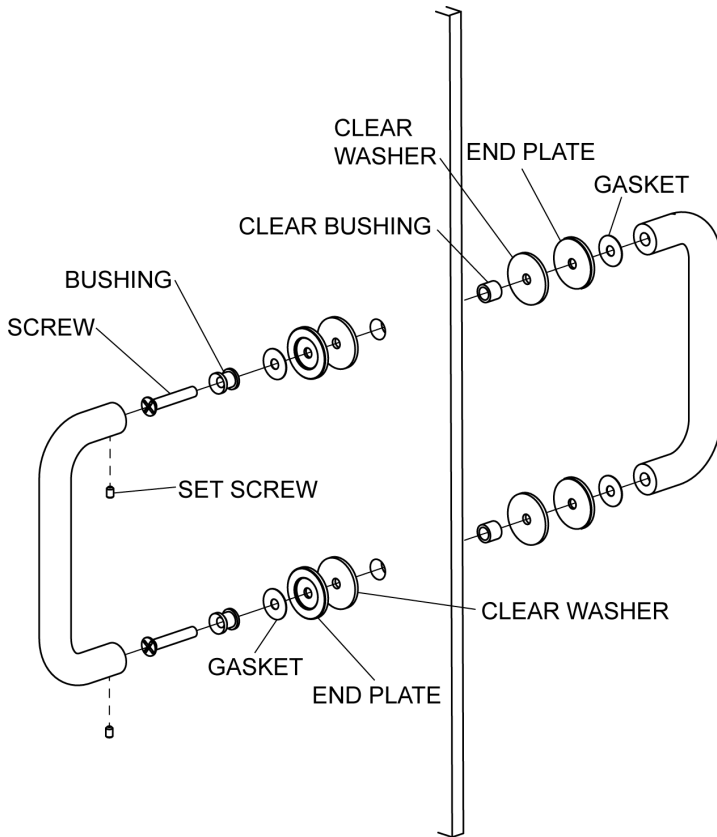
30 To prevent the door from sagging after final gap adjustment the hinge maybe shimmed to prevent movement.

Remove one hinge back plate at a time and fill gaps (marked in the figure to the left) surrounding hinge with shims supplied in parts pack. Make sure to shim both hinges and use combination of shim thicknesses to fill entire gap.



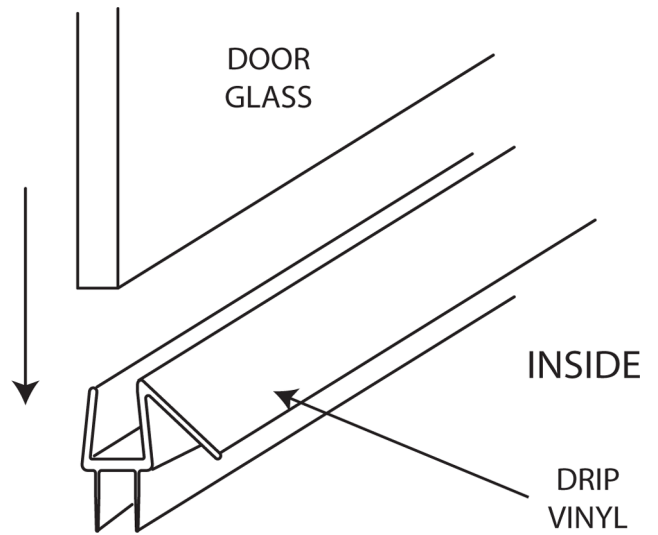
Handle Installation

31 Assemble parts as shown. Screw washers, end plates, and gaskets into one side of the handle through the glass. Then align the other side of the handle onto the bushing and tighten the set screws. The screw head should be inside the shower.

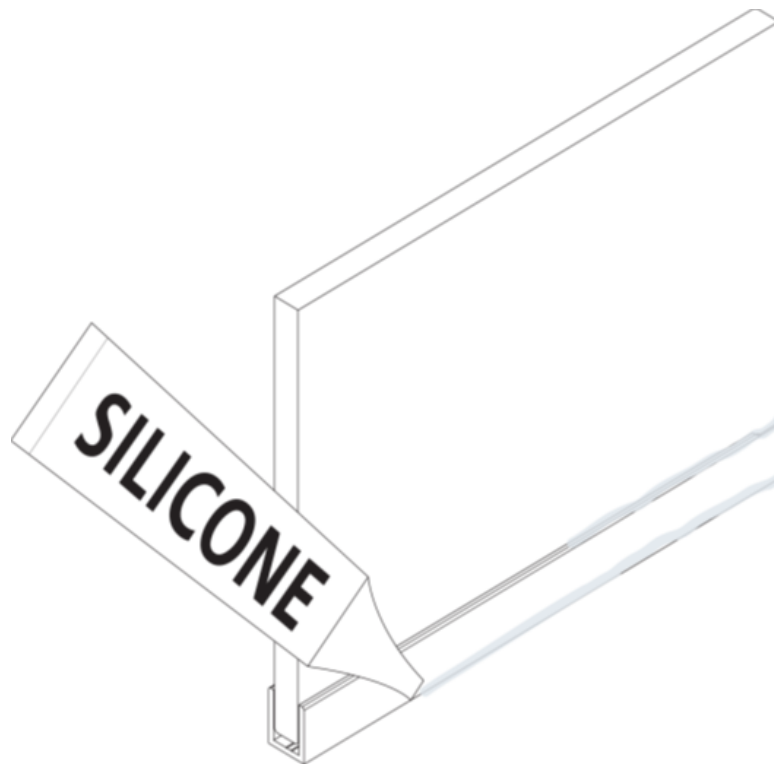


32 Place the Drip Vinyl onto the bottom of the door panel. Line it up on the hinge side of the door and cut it off flush with beginning of the Strike Jamb.

Once adjusted to fit, run a small bead of silicone between the drip vinyl and the glass to secure the vinyl sweep and prevent water from collecting inside the sweep if adjusted.

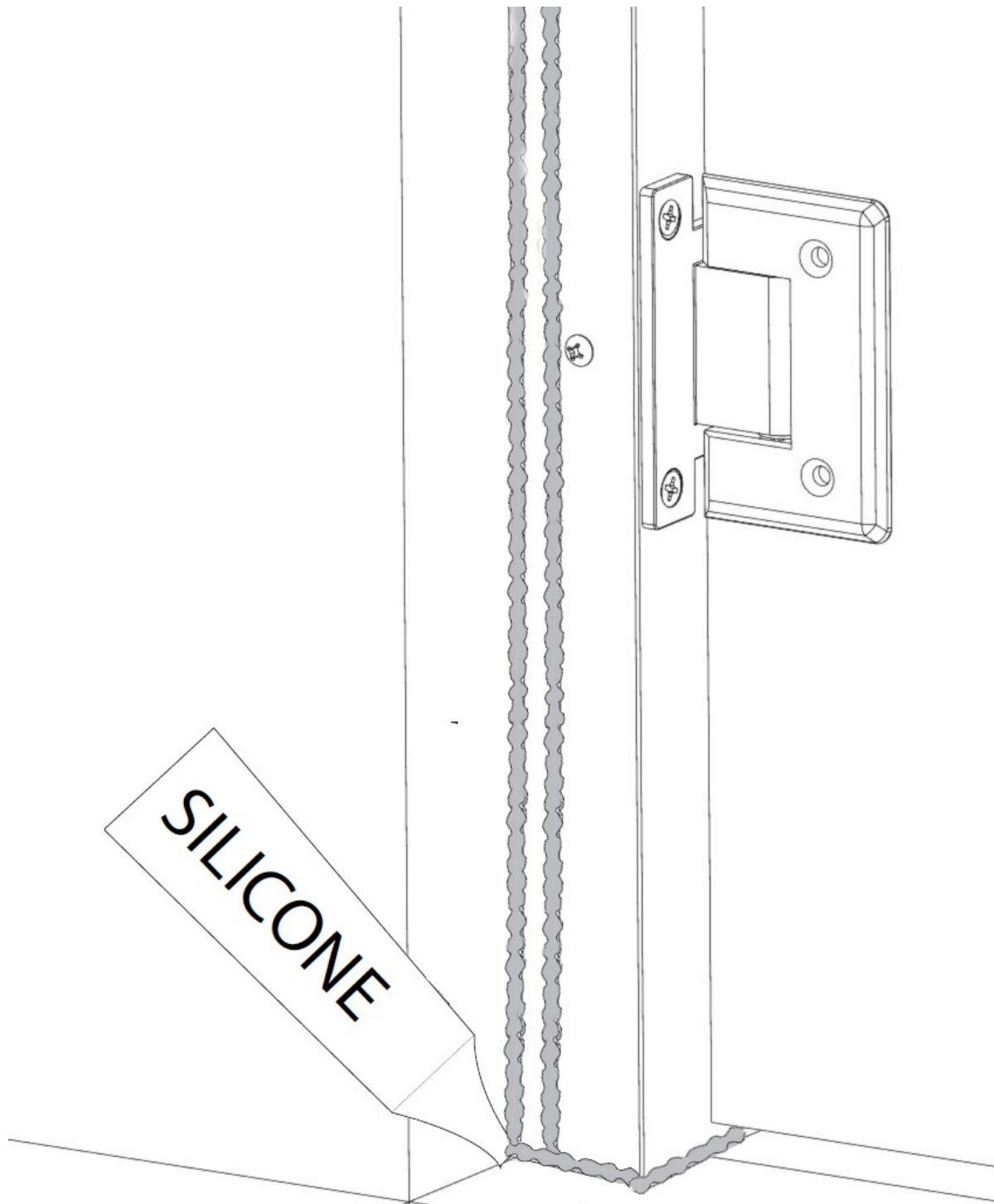


33 On the interior face of the glass, place a strip of low tack tape on the glass about 1/8" to 3/16" away from edge of the **Threshold U-Channel [4]** and **Wall U-Channel [5]**. Run a small bead of silicone along this edge. Next, on the interior, run a bead of silicone between the u-channel and the threshold and also between the u-channel and the wall. After completing, remove the tape before silicone sets.



- 34** Inside the shower, carefully run a continuous bead of silicone where **SC982 Wall Jamb [2]** and **SC983 Hinge Jamb [3]** meet. Apply another continuous bead of silicone where the jamb and wall meet. Apply a final bead where the jambs and threshold meet.

It is option to also run a bead between the jamb and wall on the outside of the shower.



DO NOT use the shower before the silicone has cured!
Follow the manufacturers' recommendation for cure time (usually 24-48 hours) before using the shower.