

Frameless Fixed Panel Slider

QCI-5279

SINGLE ROLLER WITH ANTI-JUMP

DOUBLE ROLLERS



Tools:

To install your New Shower Enclosure, you may need the following:

- Pencil
- Low Tack Tape
- Tape Measure
- 4' & 6' Levels
- #2 Phillips Screwdriver
- Drill
- 1/8" & 3/16" Drill Bit
- Center Punch
- Files
- Hack Saw
- Caulk Gun
- Clear Silicone Caulk
- Suction Cups

Safety Notes:

- This unit is best installed by two people.
- Handle the glass panels carefully and protect the edges. Safety tempered glass is very resistant to breakage, but the sharp corners of the panels can damage tile and flooring surfaces.
- The glass can break if unequal pressure is applied during installation.
- Please wear safety glasses whenever drilling or cutting. When drilling holes in ceramic tile or marble, use a center punch and hammer to carefully break the glazed surface to prevent skidding when drilling.

NOTE: Tempered glass cannot be cut.

Installation Notes:

- Proper blocking is required for every Heavy Glass unit prior to installation. At minimum 2x4 blocking is required at the location of any structural member of the unit including, but not limited to: hinges, clamps, and header brackets. All fasteners at these locations are required to be installed into the blocking.
- A minimum of 1 1/4" thread engagement is required of all fasteners into the blocking at these locations. Depending on the application the customer maybe required to supply the proper fasteners to ensure adequate engagement.
- U-Channel maybe installed using wall plugs where no backing is found.
- Use caution to not pierce plumbing or electric lines while installing door hardware.
- Cover the drain with tape prior to installation to prevent loss of small parts.
- Unpack your unit carefully and inspect for freight damage. Lay out and identify all parts using the instruction sheet as a reference. Before discarding the carton, check to see that no small hardware parts have fallen to the bottom of the box. If any parts are damaged or missing, refer to the description noted in the instructions when contacting your dealer for replacements.

Maintenance:

Two primary materials are used to manufacture your new shower enclosure: tempered glass and anodized aluminum. To assure a long lasting finish on the enclosure, wipe it down with a towel after each use.

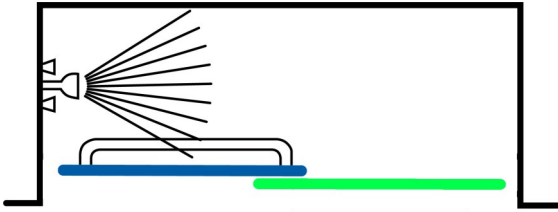
For occasional, more concentrated cleaning efforts, we find that **Lysol® Non-Abrasive Bathroom Cleaner** works extremely well. Be sure that any over spray falling on the aluminum frame is rinsed thoroughly and dried. Many over-the-counter cleaners, if applied to the aluminum and left on, will harm the metal finish and cause permanent damage even though their directions indicate safe use on shower doors. Never use a scouring agent to clean the aluminum.

For units with **AquaglideXP** please use Maintain spray from the maintenance on the glass. Please contact customer service for details and to purchase the maintenance kit.

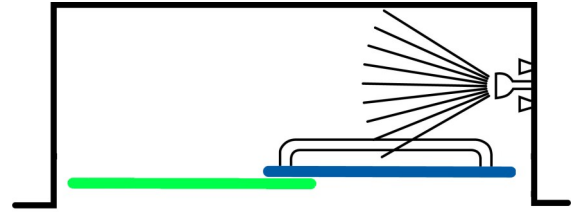
This unit maybe installed with the door to the right or left.

For best results, locate the door to the interior and against the same wall as the shower head. This places the fixed panel to the exterior and opposite of the shower head.

Shower Head on Left Wall

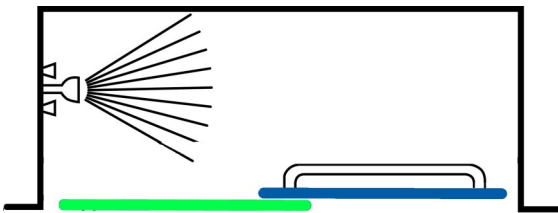


Shower Head on Right Wall

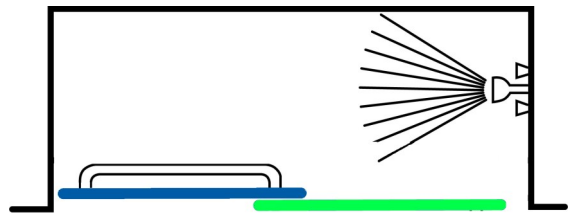


Although not optimal, if the situation requires that the door be installed to the interior but opposite of the shower head then vinyl part(s) will be required between the door and fixed panel. The vinyl part(s) will help reduce but may not eliminate all water from escaping.

Shower Head on Left Wall



Shower Head on Right Wall

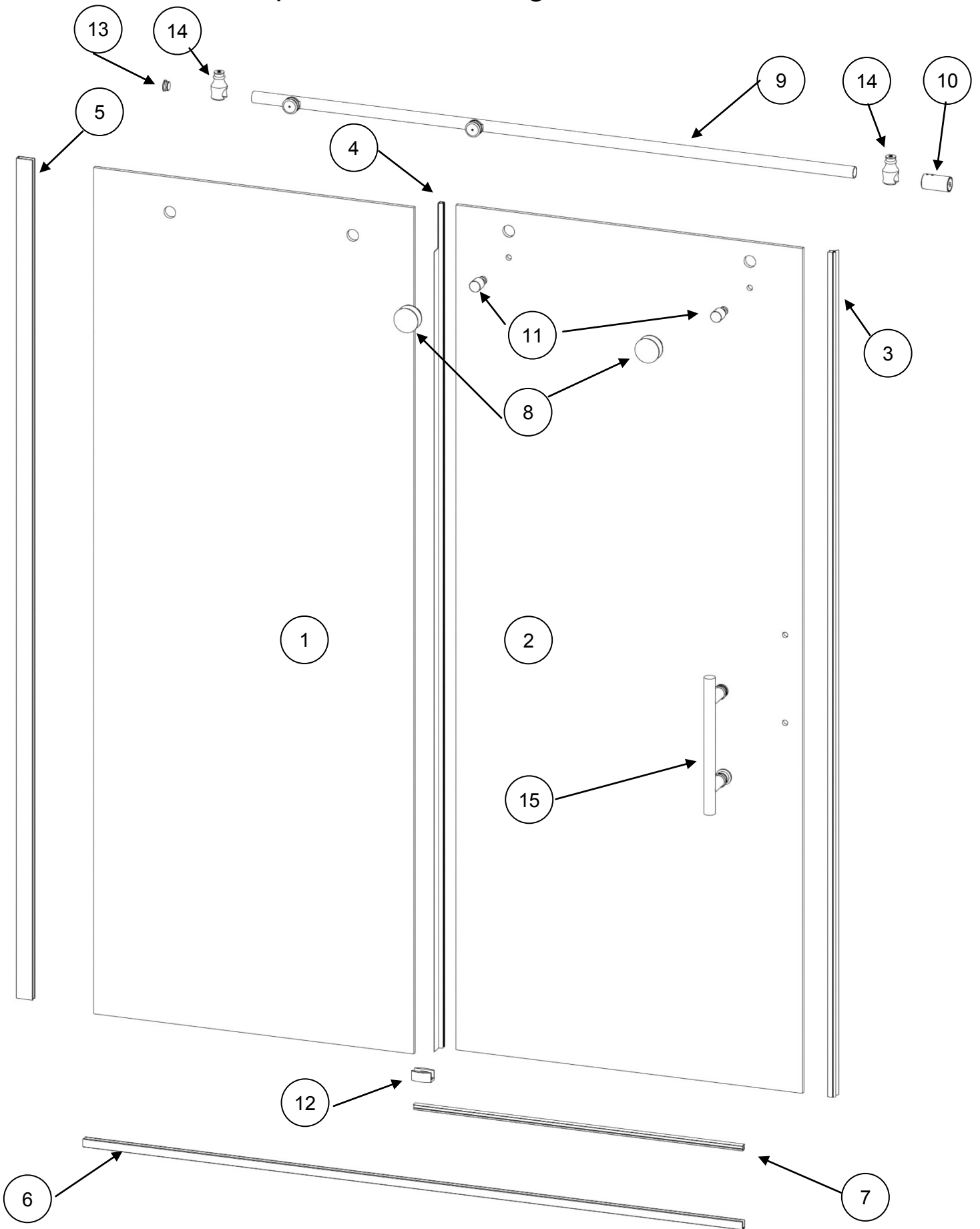


Parts List—Single Rollers

ITEM NO.	NUMBER	DESCRIPTION	QTY.
1	CLF22N75MPPPP01	FIXED PANEL (45" - 47" RANGE)	1
	CLF28N75MPPPP01	FIXED PANEL (57" - 59" RANGE)	
2	CLF25D75KPPPP01	DOOR PANEL (45" - 47" RANGE)	1
	CLF31D75KPPPP01	DOOR PANEL (57" - 59" RANGE)	
3	LV03550098XCL00	DOOR TO WALL VINYL	1
4	LV09410075KCL00	DOOR TO PANEL VINYL	1
5	SC925	VERTICAL U-CHANNEL	1
6	SC938	HORIZONTAL U-CHANNEL	1
7	SC892	SNAP-IN FILLER	1
8	RO9AA	DOOR ROLLER ASSEMBLY	2
9	HA9AS-420	HEADER ASSEMBLY (45" - 47" RANGE)	1
	HA9AS-540	HEADER ASSEMBLY (57" - 59" RANGE)	
10	BK9J	HEADER MOUNT BRACKET	1
11	AJ9AQ	ANTI-JUMP ASSEMBLY	2
12	GU9AD	DOOR GUIDE	1
13	PL9AA	HEADER END PLUG	1
14	ST9AA	DOOR STOPPER	2
15	PU9S	HANDLE	1
**	PARTS PACK	INSTALLATION HARDWARE	1

** Parts Pack is not shown. The Parts Pack includes required installation hardware, setting blocks, and more. Depending upon the exact configuration of the unit being installed, not all parts maybe used.

Exploded View—Single Rollers

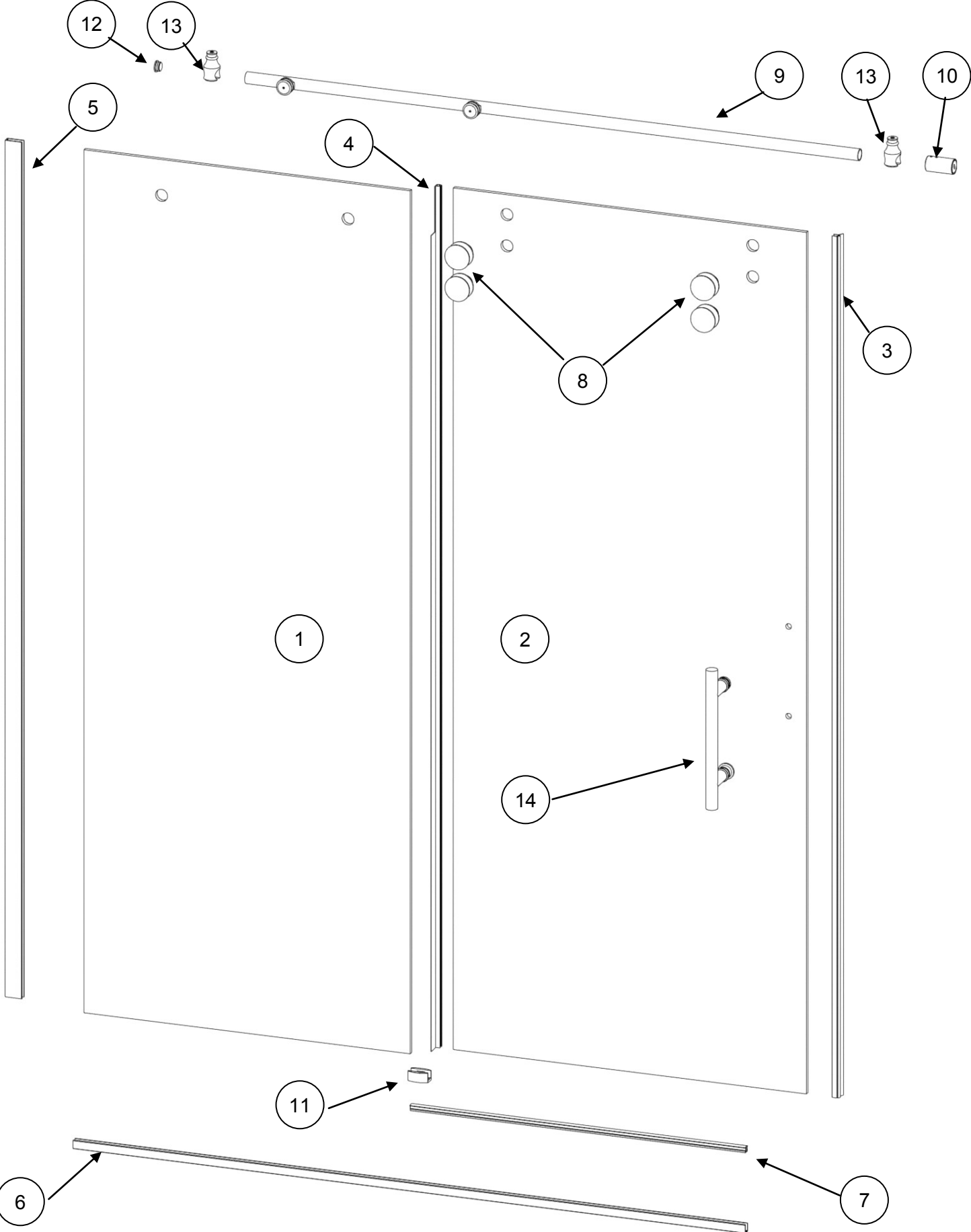


Parts List—Double Rollers

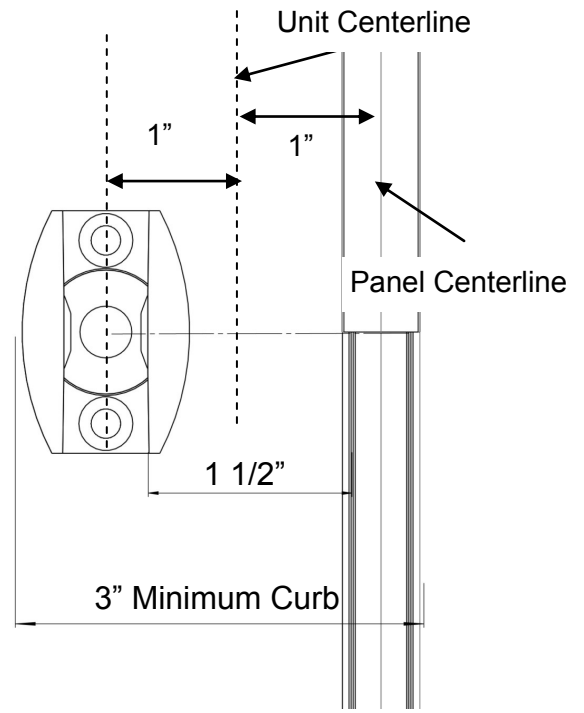
ITEM NO.	NUMBER	DESCRIPTION	QTY.
1	CLF22N75MPPPP01	FIXED PANEL (45" - 47" RANGE)	1
	CLF28N75MPPPP01	FIXED PANEL (57" - 59" RANGE)	
2	CLF25D75KPPPP01	DOOR PANEL (45" - 47" RANGE)	1
	CLF31D75KPPPP01	DOOR PANEL (57" - 59" RANGE)	
3	LV03550098XCL00	DOOR TO WALL VINYL	1
4	LV09410075KCL00	DOOR TO PANEL VINYL	1
5	SC925	VERTICAL U-CHANNEL	1
6	SC938	HORIZONTAL U-CHANNEL	1
7	SC892	SNAP-IN FILLER	1
8	RO9AA	DOOR ROLLER ASSEMBLY	4
9	HA9AS-420	HEADER ASSEMBLY (45" - 47" RANGE)	1
	HA9AS-540	HEADER ASSEMBLY (57" - 59" RANGE)	
10	BK9J	HEADER MOUNT BRACKET	1
11	GU9AD	DOOR GUIDE	1
12	PL9AA	HEADER END PLUG	1
13	ST9AA	DOOR STOPPER	2
14	PU9S	HANDLE	1
**	PARTS PACK	INSTALLATION HARDWARE	1

** Parts Pack is not shown. The Parts Pack includes required installation hardware, setting blocks, and more. Depending upon the exact configuration of the unit being installed, not all parts maybe used.

Exploded View—Double Rollers



1 Determine location of the unit centerline on the threshold. From unit centerline mark location of panel centerline 1" towards outside of shower. Next, mark a continuous panel centerline on the wall the panel will mount to, starting where the threshold centerline meets the wall. Use a level to ensure the wall centerline is plumb and straight. The wall centerline should be a minimum of the unit height from the threshold.

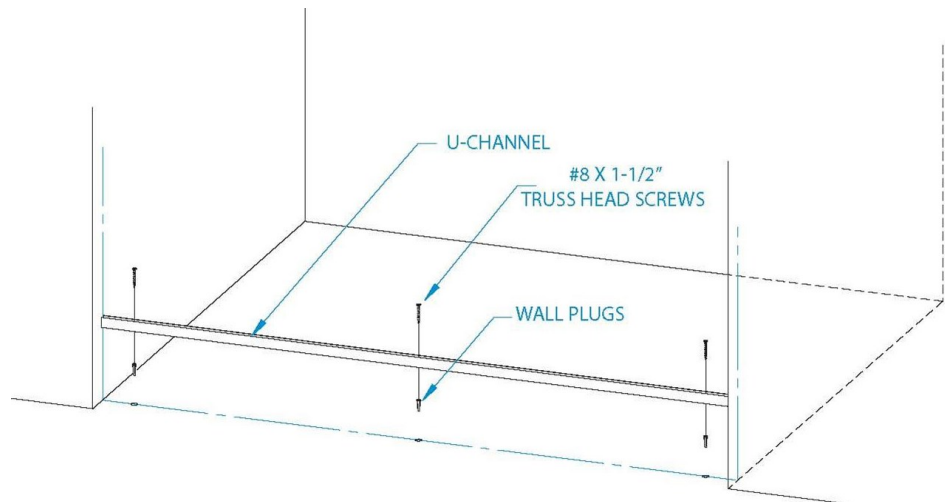


NOTE: The unit centerline for this unit does NOT get anything mounted to it. The Panel and Guide centerlines are 1" from the unit centerline.

This unit requires a minimum 3" of flat curb to be installed correctly.

2 Cut the threshold U-channel to the appropriate size. This piece of U-channel will be equal to the opening width. Next drill three 3/16" diameter holes in the center of U-channel (centerline groove provided for convenience), two holes approximately 6" from each end and one in the middle. Place the U-channel in its correct position with the u-channel centerline over the threshold centerline as marked in step one.

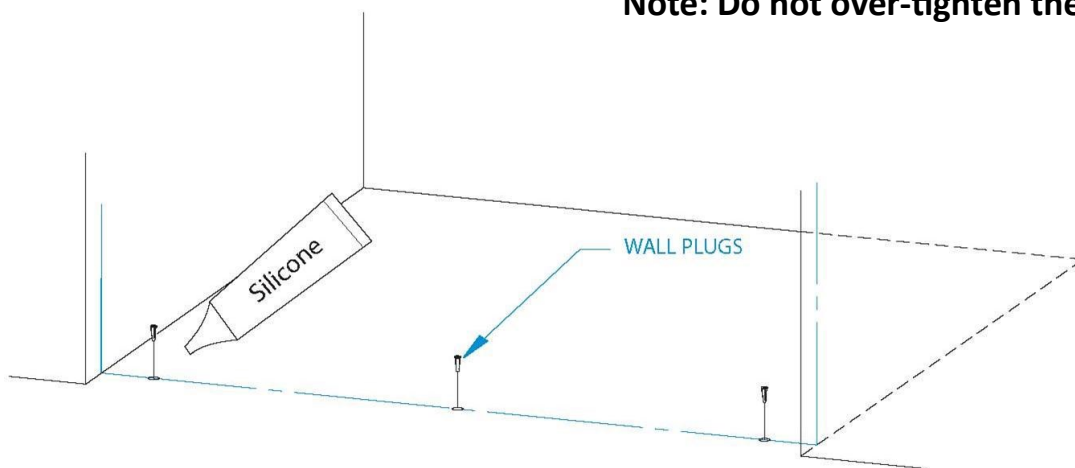
With a pencil carefully mark each hole position on the threshold centerline. Remove the u-channel and drill a 3/16" diameter hole, approximately 1" deep, directly on the threshold centerline at the marked locations.



Note: It is critical that the threshold U-Channel is centered on the PANEL centerline.

3 Insert a small amount of silicon into each drilled hole, then insert a wall anchor into each hole. (Note: Drill hole, then insert a wall anchor.) This must be done just before u-channel installation. Carefully cut the heads off the wall anchors with a razor blade. Place the U-Channel in correct position and secure it with #8 x 1-1/2" truss head screws.

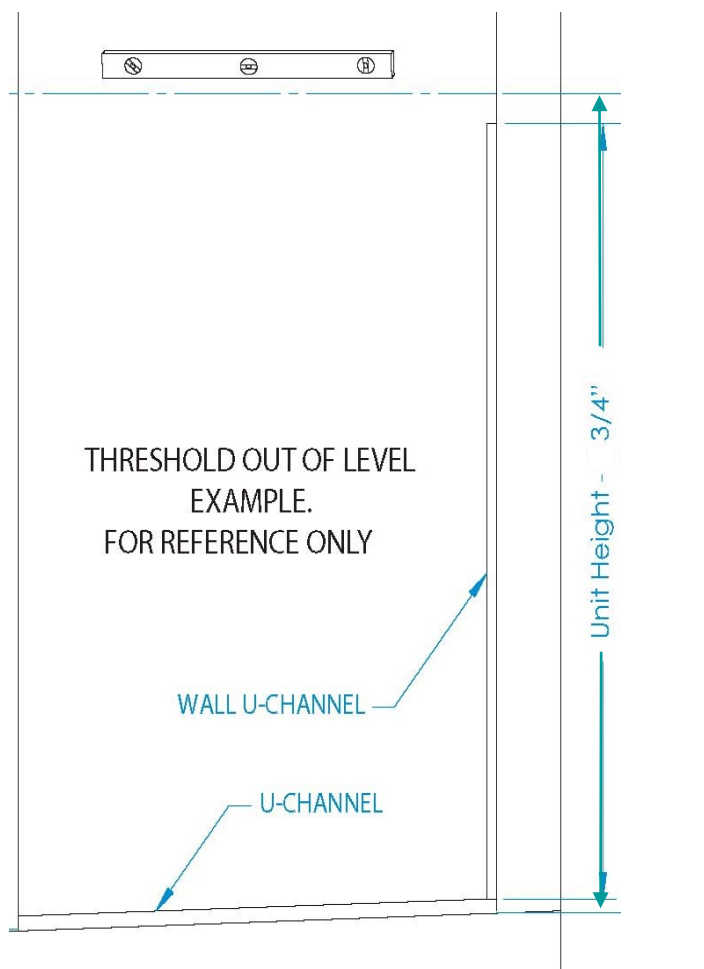
Note: Do not over-tighten the screws.



4 Cut the wall U-Channel to length properly using the below formula:

$$U\text{-channel Height} = \text{Unit Height} - 3/4''$$

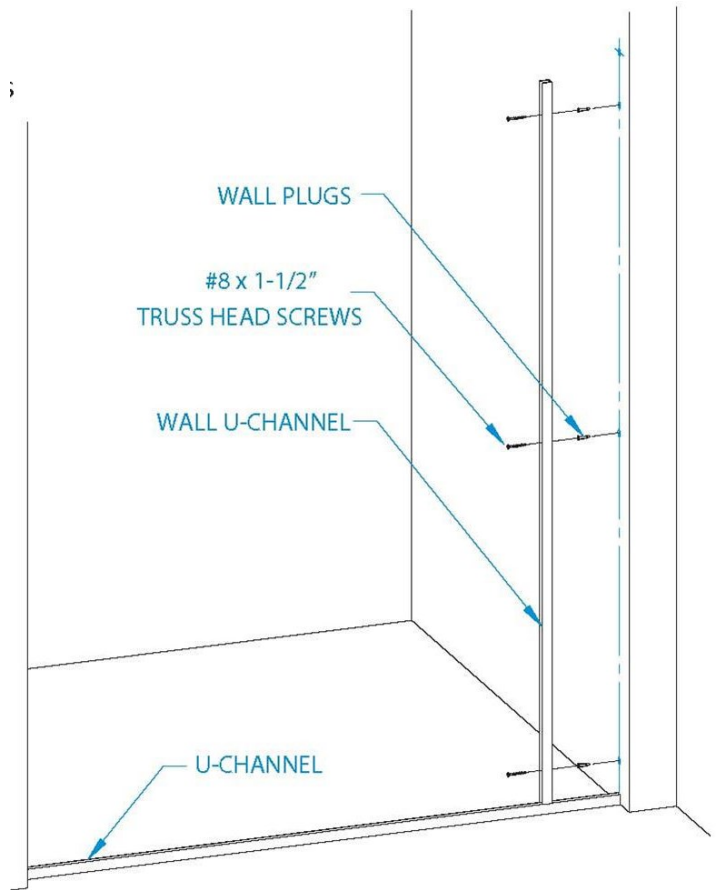
Next, drill three 3/16" diameter holes in the center of U-channel (centerline groove provided for convenience); one hole 6" from each end and one hole in the middle. Place the U-channel over the wall centerline marked in step one. With a pencil, carefully mark each hole position on the wall centerline. Drill a 3/16" diameter hole, approximately 1" deep, directly on the wall centerline at the marked locations.



5 Insert a wall plug into each drilled hole. Then carefully cut the heads off of the wall plugs with a razor blade. So there is nothing raised above the surface of the wall.

Place the u-channel in position and secure it with #8 x 1-1/2" truss head screws.

Note: Do not over-tighten the screws.

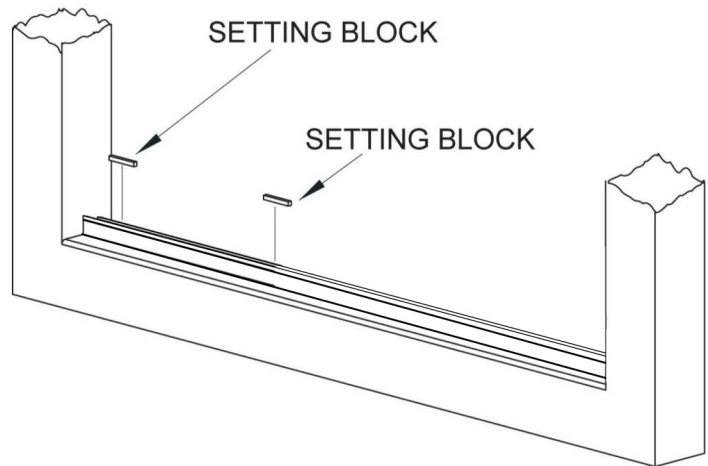


6 Place 1/8" setting blocks into the U-channel as shown or approximately every 18".

DO NOT place setting blocks over screw heads, but set them close to ensure that the screw heads are below the setting blocks.

Using suction cups set, the Stationary Glass Panel into the U-channels on the appropriate side. Use different sizes of setting blocks to make exposed edges of the glass level and plumb.** Exposed edges **MUST** be level and plumb before moving to next step.

**Different sizes setting blocks may be required depending on level conditions. Various sizes of setting blocks are provided and can be used in different combinations (stacked) to obtain the desired result.

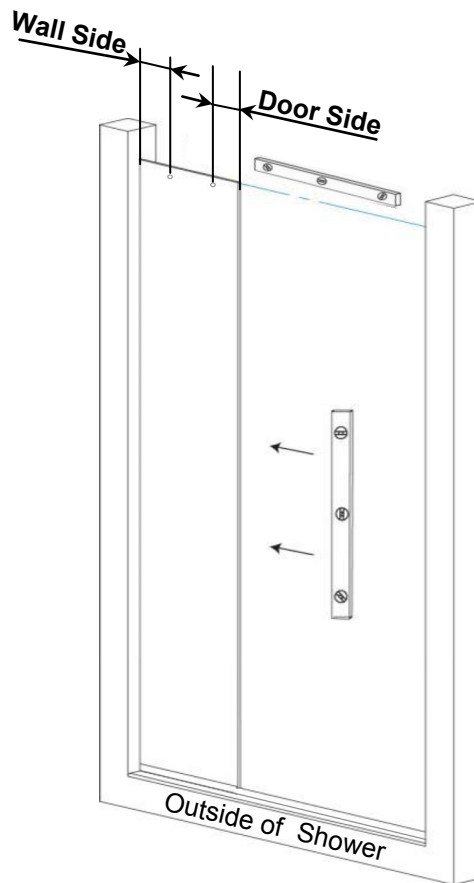


7 Refer to the sizing chart below to properly orient the Glass Panel according to the unit range. Measurement is from edge of glass to the header bar assembly hole*

Carefully set the fixed panel into the u-channel, resting it on setting blocks. Slide the panel into the wall mounted u-channel.

Exposed edges must be level and plumb before moving to next step. Check and adjust shimming as required.

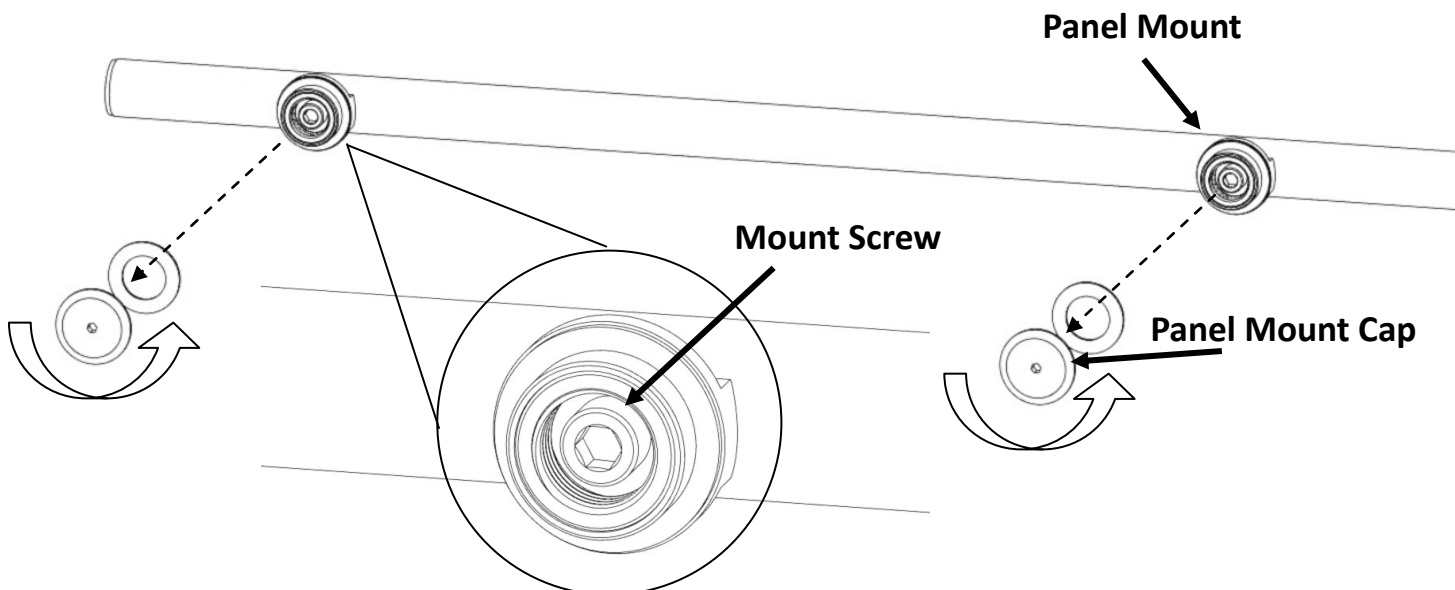
*Panel Glass Sizing Chart		
Unit Range	Wall Side	Door Side
44 1/2" - 45 3/4"	5 1/2"	6 7/8"
45 3/4" - 47 1/2"	6 7/8"	5 1/2"
56 1/2" - 57 5/8"	5 1/2"	6 7/8"
57 5/8" - 59 1/2"	6 7/8"	5 1/2"



8 Unscrew the Panel Mount Caps from the Header Assembly.

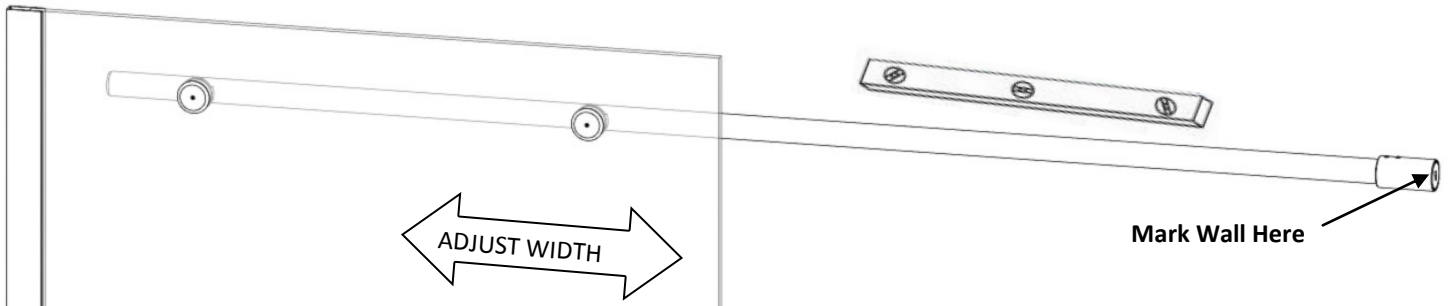
Slightly loosen the Mount Screw inside to allow for adjustment of the mount brackets to fit the mounting holes in the fixed panel.

Position the Header Assembly to align the Panel Mounts in the proper mounting holes on the Fixed Panel. Tighten the Mount Screws.



9 Reinstall the Panel Mount Caps. Level the header.

Adjust the Fixed Panel by moving it towards or away from the wall so that the Header Mount Bracket touches the wall.



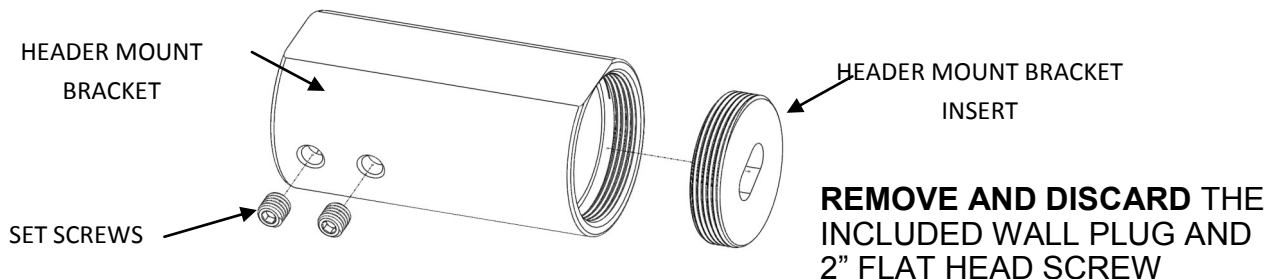
With the Header Assembly mounted, use a pencil to mark around where it sits flush against the door side wall as shown.

Remove the Header Assembly from the Fixed Panel.

10 Mark the center of the Header Mount Bracket. Drill a 3/16" diameter hole thru the finished wall material at the marked wall location. Drill a 1/8" diameter pilot hole approximately 2" deep into the blocking behind the finish wall material.

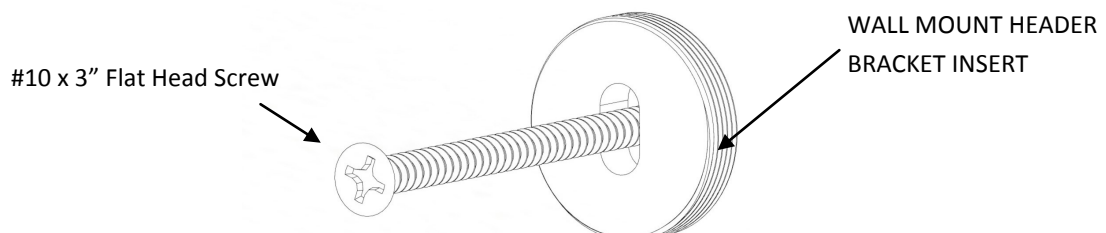
DO NOT DRILL 3/16" HOLE INTO BLOCKING

Remove the Header Mount Header Bracket by loosening the set screws.

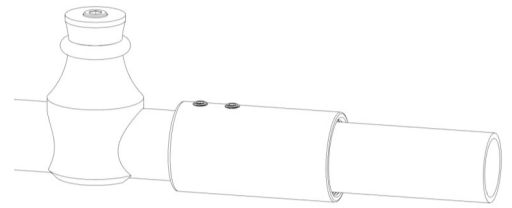


Next, screw the Header Mount Bracket Insert onto the wall with the supplied #10 x 3" Flat Head screw. Install the Header Bracket Insert with the adjustment slot in the vertical direction. This will allow for a small amount of adjustment to make sure the header is level.

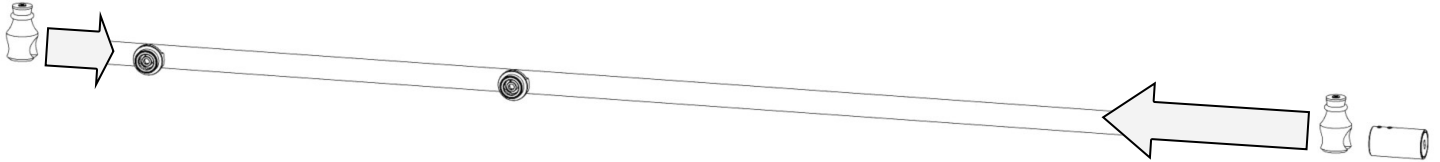
Snug, but DO NOT completely tighten the NEW Flat Head Screw at this point.



11 Place 1 stopper on each end of the Header Assembly. Lightly secure each stopper about 5" from each end. Final adjustment will be required later.

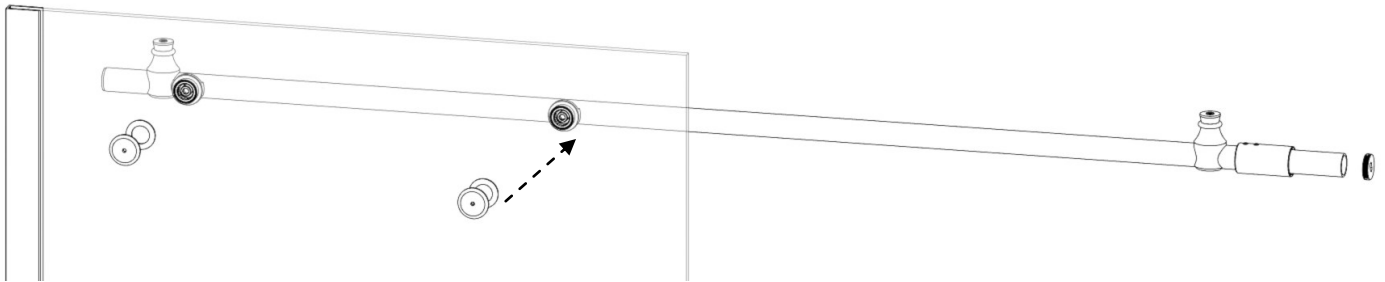


Slide the Header Mount Bracket on the wall side, leaving space at the end of the header.



12 Install the Header Assembly onto the Fixed Panel.

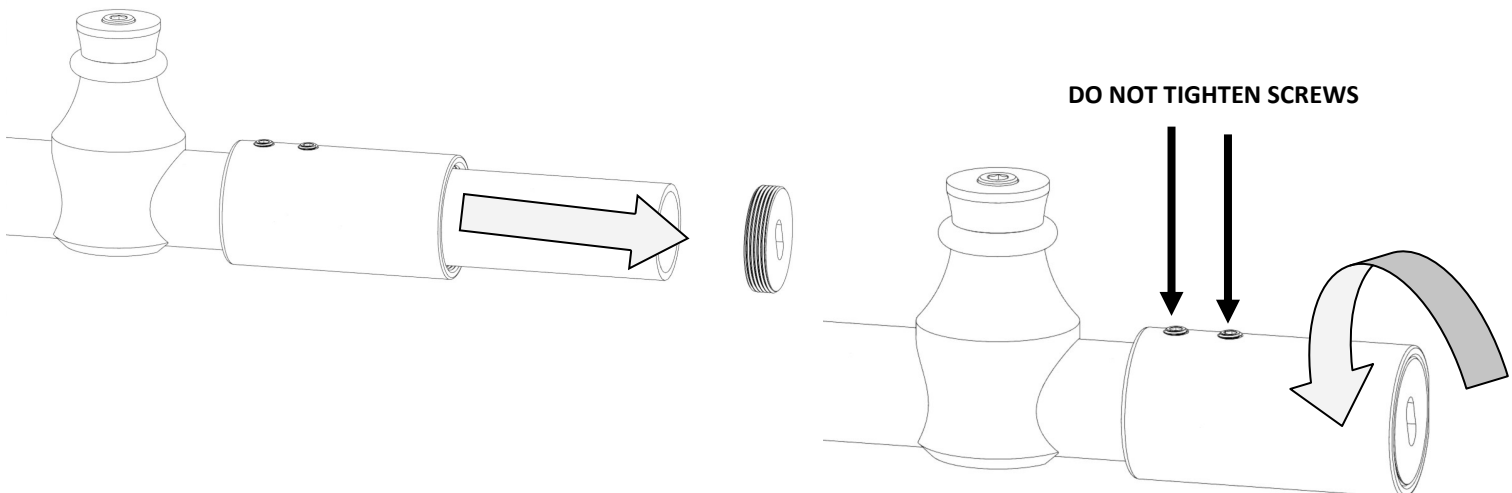
Install each Panel Mount Cap and plastic washer in the holes of the Fixed Panel Glass.



13 Slide the Header Mount Bracket to the wall.

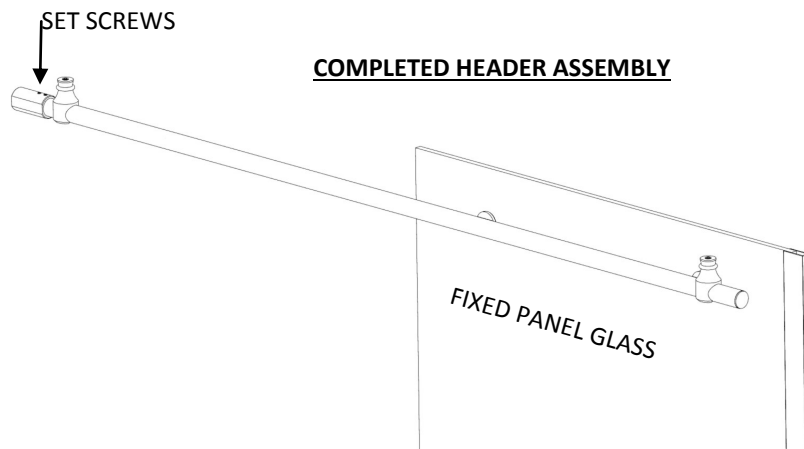
Thread the Header Mount Bracket over the Insert. Thread tightly to the wall.

DO NOT TIGHTEN THE SET SCREWS YET.

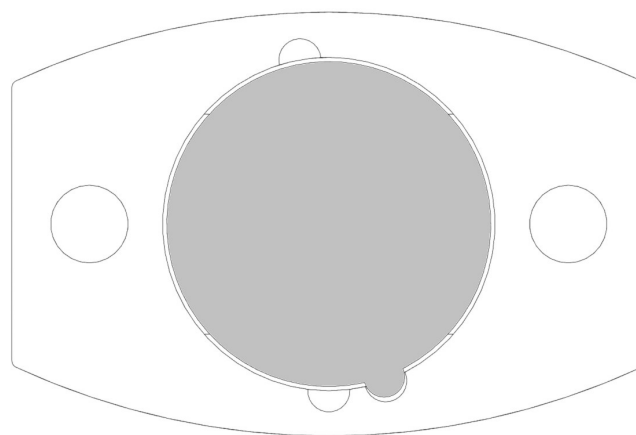


14 Check the header for level. Lightly tap the wall mount bracket to achieve level as required. Carefully remove the header assembly. Completely tighten the Flat Head Screw in the Header Bracket Insert installed in Step 10. Final install the header assembly to the panel glass and wall mount bracket.

Tighten the Set Screws in the Header Mount Bracket.

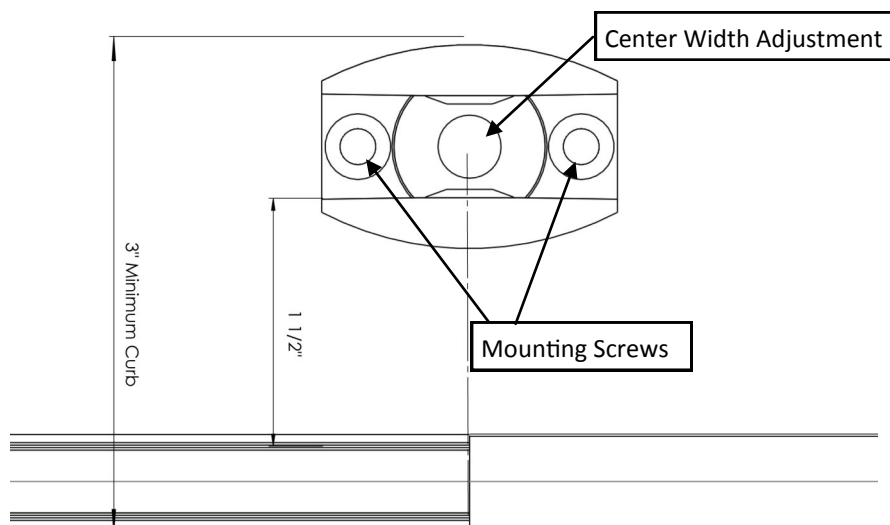


15 Set the Door Guide glass thickness on the center guide. The black plastic center of the Door Guide can be adjusted to fit a range of glass thicknesses. The guide is intended to be used with the center part in this position with clear glass. Some glass may require another position if it slightly thicker than standard. Test fit the Door Guide to the glass and adjust as necessary. The glass should be free to move in the guide.



16 From the edge of the Fixed Panel Glass, measure 1 1/2" from the inside of the Horizontal U-channel. Place door guide as shown in picture below, then mark the two holes with a pencil. Drill each marked location with a 3/16" hole approximately 1" deep. Insert a small amount of silicon into each drilled hole, then insert a wall anchor into each hole.

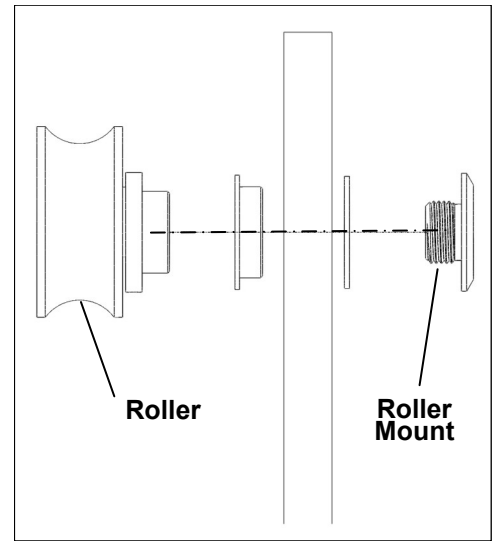
Carefully cut the heads off the wall anchors with a razor blade. Place the door guide back in correct position and secure it with #8 x 1-1/2" truss head screws.



17 Disassemble two Roller Assemblies and loosely secure to Door Panel Glass.

The Rollers have an offset mount to allow for adjustment. While mounted onto the Door Panel, rotate the rollers to their lowest position so that the Door Panel does not hit the ground or U-Channel during installation. Tighten the Roller Mount

Then carefully lift the door panel into place so the rollers rest on top of the roller bar assembly.



18 Carefully loosen the Roller Mounts to allow the Door Panel to move to its lowest setting. Lowering the door allows for the next step.

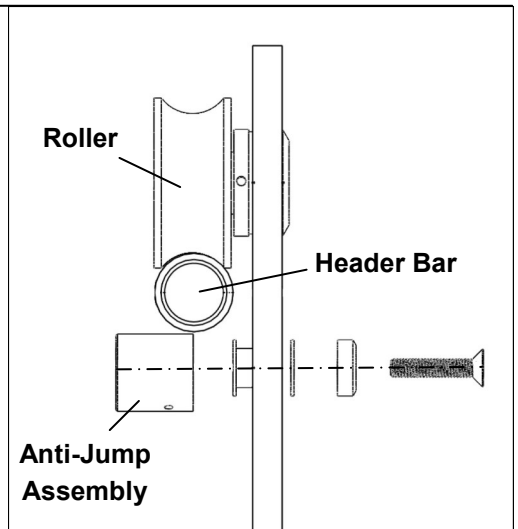
CONTINUE TO 19A IF INSTALLING ANTI-JUMPS

CONTINUE TO 19B IF INSTALLING BOTTOM ROLLERS

19A—INSTALLING ANTI-JUMPS

Disassemble the Anti-Jump and install it below the roller bar assembly in the two holes provided to hold it in place. Leave the Anti-Jump Assemblies loose for future adjustment.

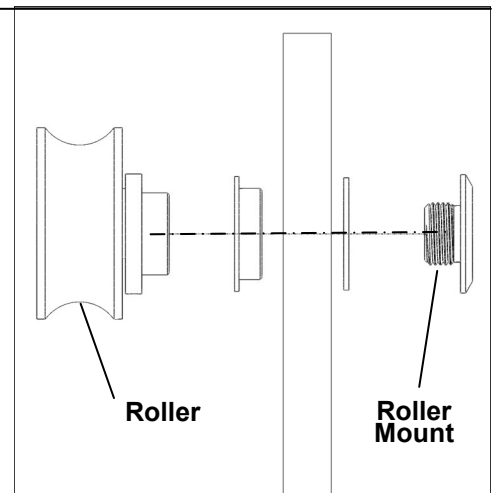
CONTINUE TO 20 and 21A



19B—INSTALLING BOTTOM ROLLERS

As in Step 17, Disassemble two Roller Assemblies and loosely secure to Door Panel Glass. Leave the Bottom Rollers loose for future adjustment.

CONTINUE TO 20 and 21B



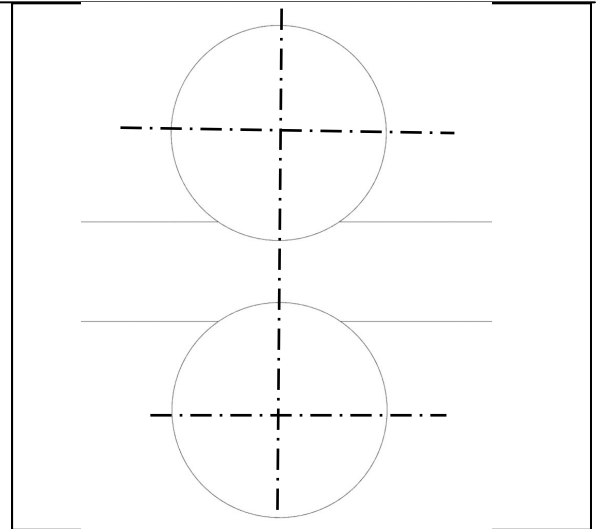
20 Using a small Allen Wrench in the adjuster holes around the perimeter of the Roller, adjust the door panel to match the Fixed Panel height and create an even gap at the wall.

Tighten the Roller Mount when adjustment is complete.

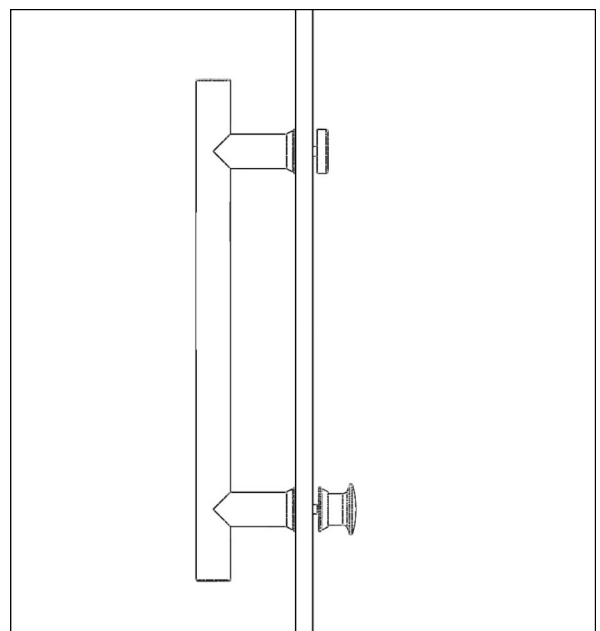
21A Adjust the Anti-Jump has an offset mount to allow for adjustment. Adjust the Anti-Jump so that it is installed with a 1/16" or less between the itself and the header bar. Tighten the mounting screw when adjustment is complete.

21B Align the bottom rollers as shown. Adjust the Bottom Rollers so that they are centered vertically with the Top Rollers. The Bottom Rollers are intended to, but may not make full contact with the header bar.

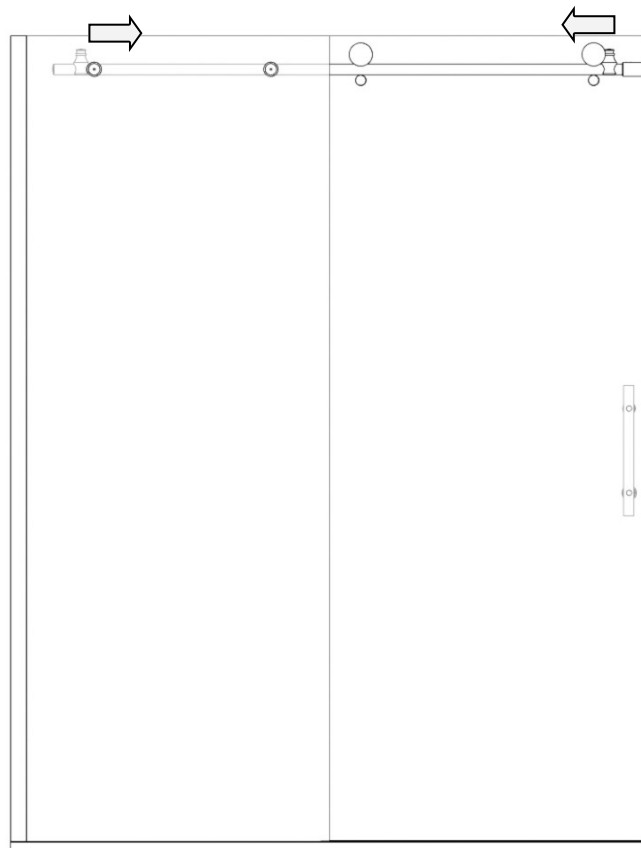
Tighten all fasteners to secure position of rollers.



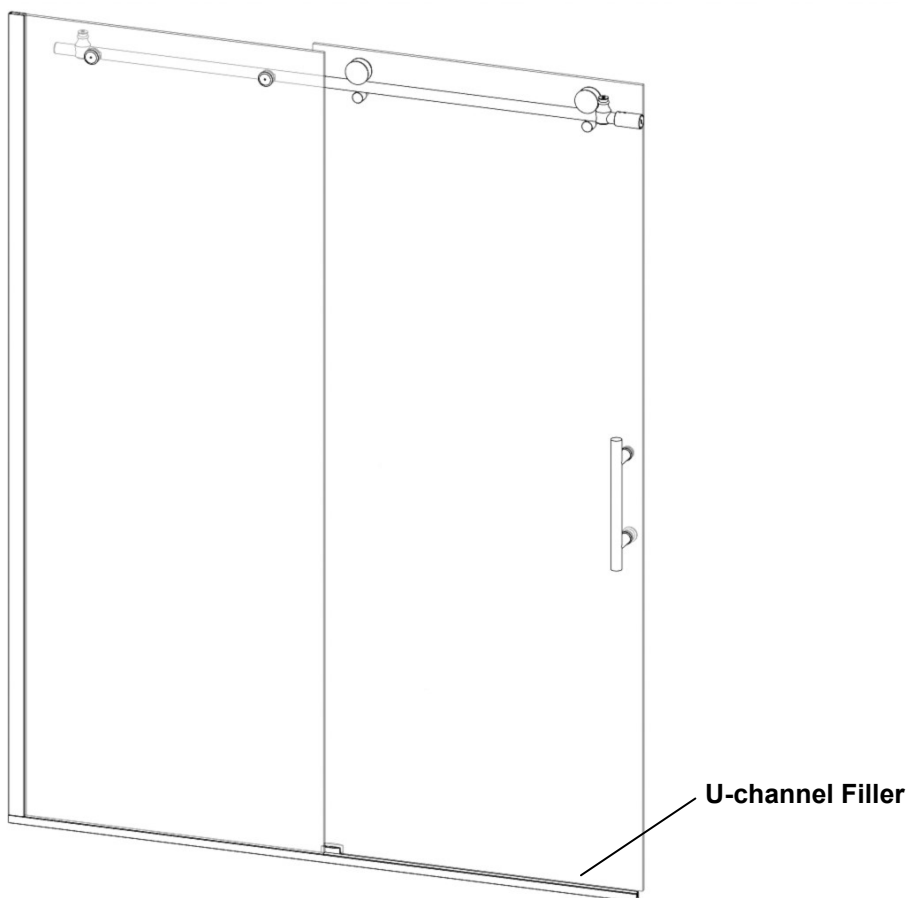
22 Disassemble the Pull Handle and install on the Door Panel. The Handle should be on the outside of shower and the Knob on the inside. Install the Knob through the bottom hole..



23 Adjust each Stopper to prevent the Door from contacting either wall. Also adjust as necessary to prevent the Handle from contacting the fixed panel. Tighten the Mount Screw when adjusting is complete.



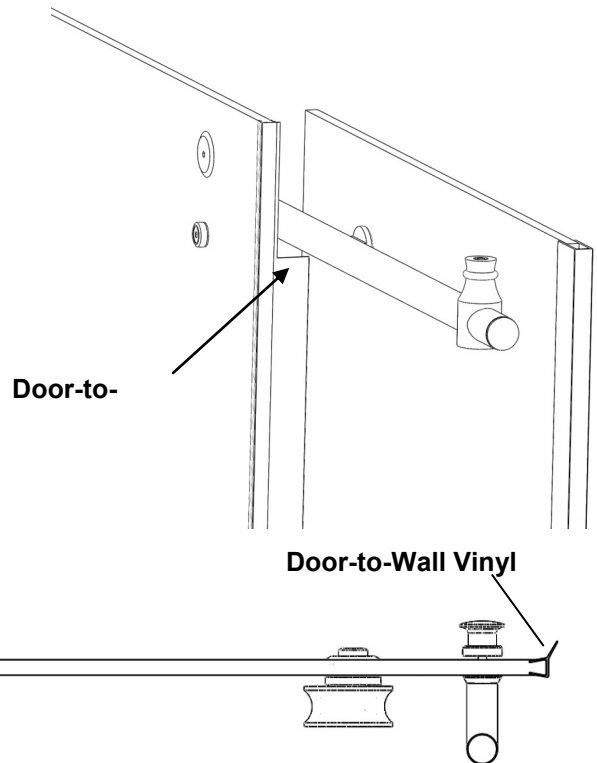
24 Measure the distance between the Fixed Panel and the wall the Door closes to. Cut the Filler to that **measurement—1/16"**. The Filler will snap into place in the open U-Channel.



25 Place the Door-to-Wall Vinyl on the handle side of the Door Panel so that the vinyl edge sticks out towards the inside of the shower.

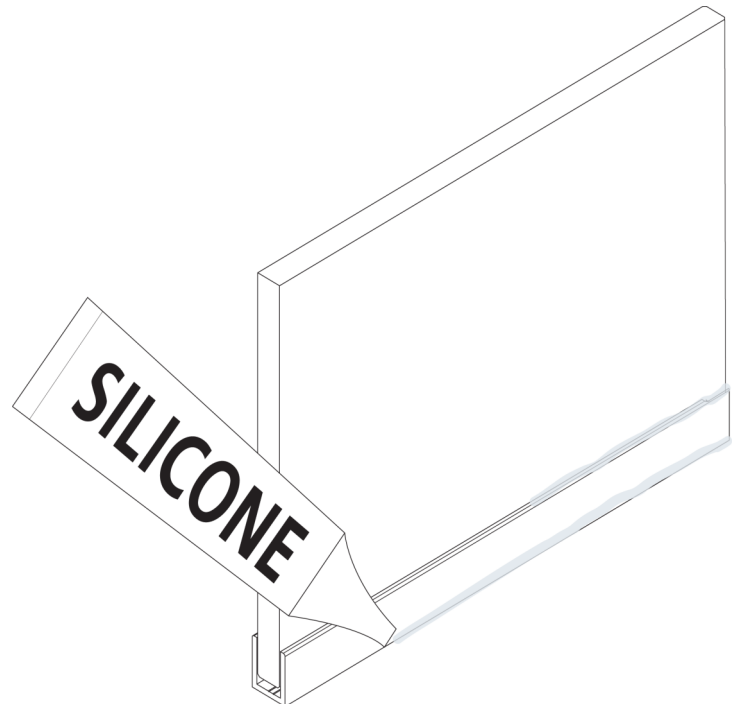
Optionally, place the Door-to-Panel Vinyl on Door Panel so that the vinyl edge sticks out towards the Fixed Glass Panel. Trim the vinyl to fit around the header as shown at right.

Use silicone to hold in place.



26 On the interior face of the glass, place a strip of low tack tape on the glass about 1/8" to 3/16" away from edge of the u-channel both vertically and horizontally. Run a small bead of silicone along this edge. Next, on the interior, run a bead of silicone between the u-channel and the threshold and also between the u-channel and the wall. After completing, remove the tape before silicone sets.

Repeat silicone application process to outside of door. Apply between fixed glass panel and u-channel, u-channel and wall, u-channel and threshold.



NOTE: DO NOT USE the shower until the silicone is completely cured. Check the tube of silicone for the manufacturer recommended cure time (typically 24 - 48 hours).