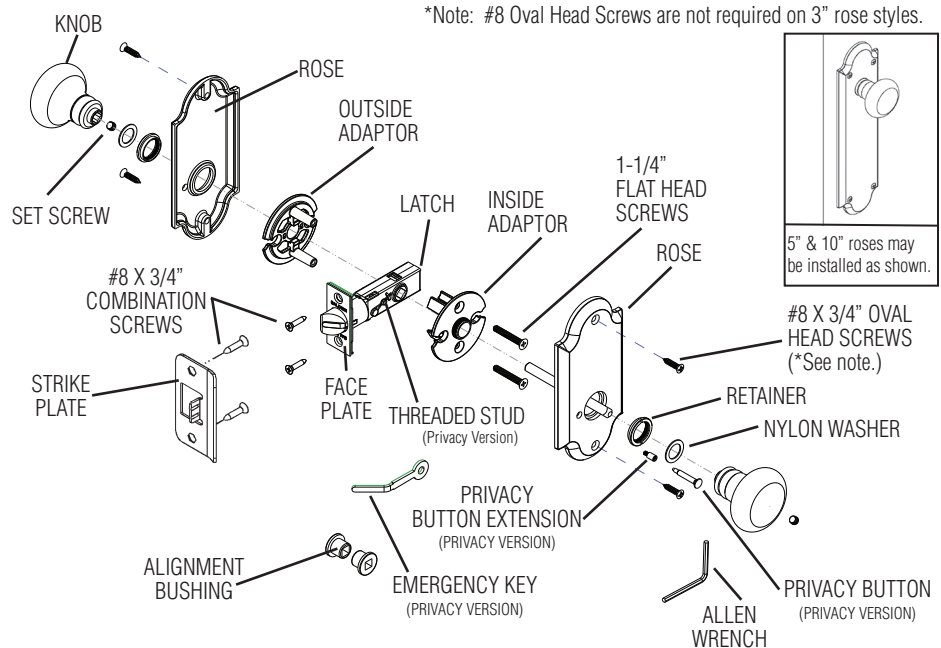


BALDWIN

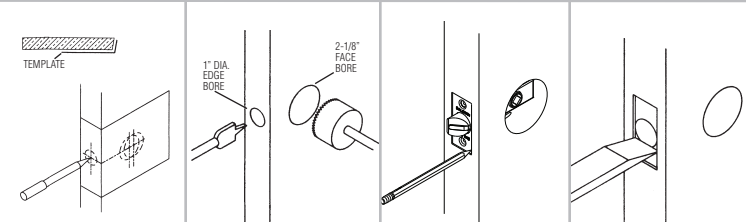
Interior Latchset

Installation Instructions Passage, Privacy, Full & Half Dummy



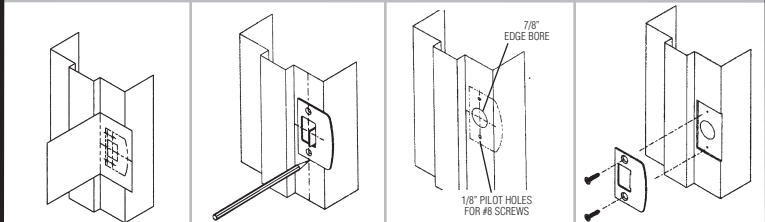
DOOR PREPARATION: PASSAGE & PRIVACY LATCHSETS ONLY

1. Fold the template on the line and locate on at desired height (about 40" from floor). Place folded edge on low side of door bevel. Mark holes on door for appropriate backset, rose style and size.
2. Caution: Recheck bore hole locations before drilling. Drill the 2-1/8" Face Bore through the door first. Drill the 1" diameter Edge Bore through to the inside of the 2-1/8" Face Bore. For 5" & 10" rose styles, mark but do not drill pilot holes for #8 surface mount screws. This will be done in a later step.
3. Insert the latch into the edge of the door. Trace an outline of the faceplate onto the door edge. Mark screw hole center locations and drill 1/8" pilot holes.
4. Chisel out the area marked in step 3 to a depth of 5/32" or until faceplate is flush with door edge. Proceed to Passage or Privacy installation.

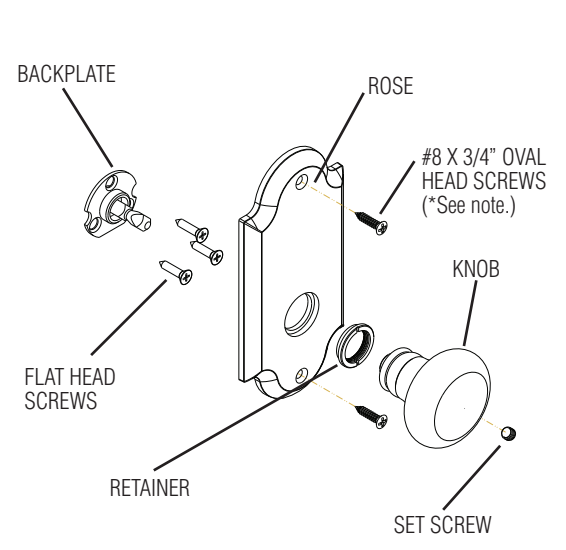


STRIKE PREPARATION: PASSAGE & PRIVACY LATCHSETS ONLY

1. Using the strike portion of the marking template, locate and mark strike mounting screws and centering points for your door thickness.
 2. Align the strike and trace outline onto the door frame using mounting screw marks for location.
 3. At the screw marks, drill (2) 1/8" dia. pilot holes for the screws. Bore 7/8" dia. X 3/4" deep hole.
 4. Chisel out the area marked in step 2 to a depth of 1/16" or until strike is flush with door frame.
- Install strike using (2) #8 Flat Head combination screws.

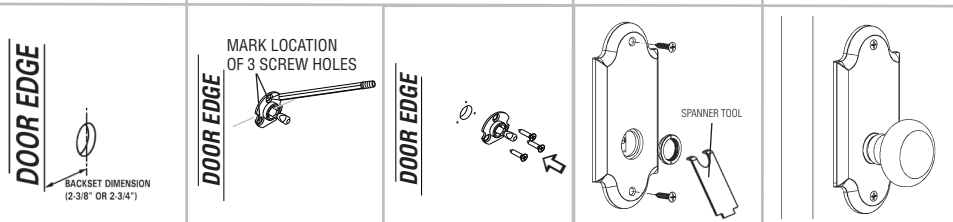


HALF DUMMY INSTALLATION



1. Locate the position for hole in door. If not used with a double door, the hole location should be approx. 40" from floor. Drill a 5/8" hole 1/4" deep one side of the door **DO NOT DRILL THROUGH DOOR.**
2. Place backplate on door so that the flat surface is toward the floor. The flat surface should be parallel to the floor and perpendicular to the door edge. Using the backplate as a template, mark center locations for (3) screw holes.

Remove backplate and pre-drill (3) holes for screws 1/2" deep using a 1/16" drill bit. Install backplate with (3) flat head screws provided.
3. Attach the roses by screwing the threaded retainer onto the adaptors. Orient the rose as desired and securely tighten by using the spanner tool. For 5" & 10" roses, ensure rose is parallel with door edge and drill 3/32" x 1/2" deep pilot holes at marked locations. Install #8 oval head screws into door.
4. Orient the knob or lever so the set screw is pointed down & toward the hinges of the door. Slide the knob or lever onto the end of the spindle until it touches the adaptor and secure with set screw.



*Note: #8 Oval Head Screws are not required on 3" rose styles.

PASSAGE LATCHSET INSTALLATION

1. With backset marking facing up, grasp the faceplate and rotate to assure bevel side of latchbolt faces jamb. Slide the latch into the door as shown and secure with (2) #8-3/4" combination screws

2. Install the inside adaptor. This adaptor will have thru-holes for the flat head screws to fit into.

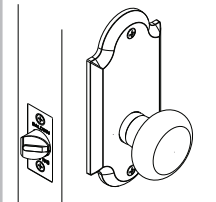
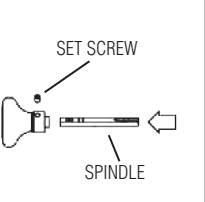
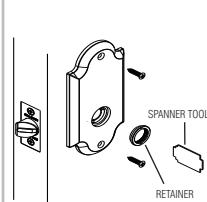
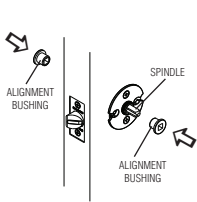
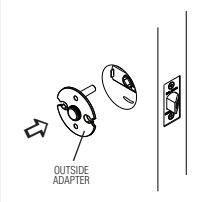
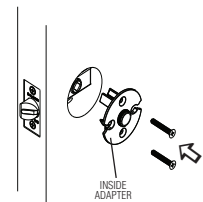
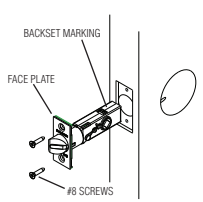
3. Install the outside adaptor. Insert the flat head screws through the inside adaptor and into the outside adaptor. Do not fully tighten at this time.

4. Insert the spindle into the latch with the ends protruding from both adaptors. Slide the alignment bushings onto the spindle ends and into the adaptors. Tighten the screws and remove the alignment bushings.

5. Remove the spindle. Attach the roses by screwing the threaded retainer onto the adaptors. Orient the rose as desired and securely tighten by using the spanner tool. For 5" & 10" roses, ensure rose is parallel with door edge and drill 3/32" x 1/2" deep pilot holes at marked locations. Install #8 oval head screws into door.

6. Insert the spindle into a knob or lever. Align scribed mark with correct door thickness and secure with set screw.

7. Slide a nylon washer onto the base of both knobs or levers. Slide the spindle with the previously attached knob or lever into the latch with the set screw pointed down and toward the hinges of the door. Secure the other knob or lever to the exposed spindle end."



PRIVACY LATCHSET INSTALLATION

1a. With backset marking facing up, grasp the faceplate and rotate to assure bevel side of latchbolt faces jamb. From the side of the latch that will be inside the room, push in the privacy lug. On the other side of the lug install either an oval spacer or round spacer depending on lug shape with provided screw. The side with the spacer should be facing outside of the room after install with the backset marking facing up.

1b. If the privacy latchset is being installed on a 1-3/4" thick door, push the privacy button thread the privacy button extension onto the privacy button before proceeding to step # 2.

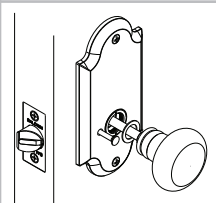
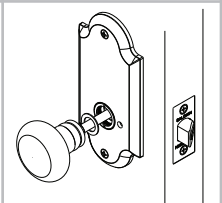
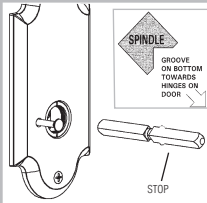
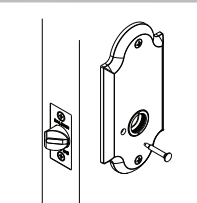
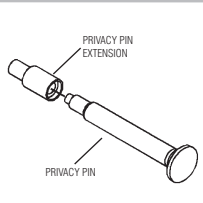
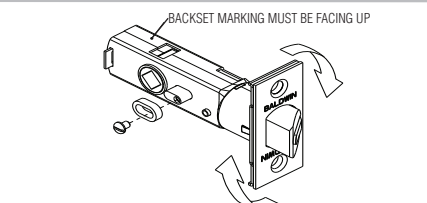
2. Insert the privacy pin into the hole on the inside rosette and thread into the latch.

3. Insert the spindle into the rose so the end of the spindle with stops is on the same side of the door as the privacy button. The spindle V groove will be positioned down and towards the hinges of the door.

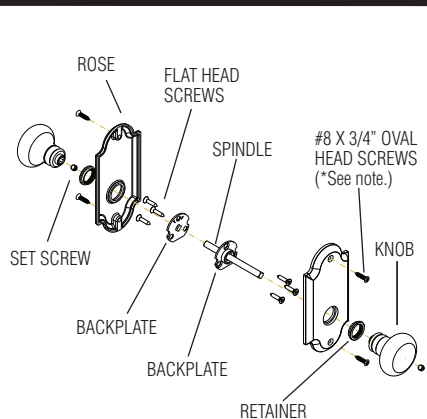
4. Slide nylon washer onto base of knob or lever. Install knob or lever onto spindle on the outside. Secure with set screw pointed down and toward the hinges of the door.

5. Slide nylon washer onto base of other knob or lever. Install knob or lever onto spindle on the inside. Secure with set screw pointed down and towards the hinges of the door.

Follow steps # 1 thru # 5 in the Passage Latchset Installation section before proceeding to step # 2.

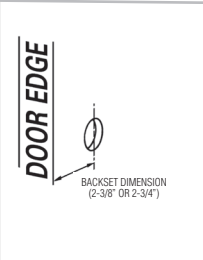


FULL DUMMY INSTALLATION



1. Locate the position for hole in door. If not used with a double door, the hole location should be approx. 40" from floor. Drill a 1/2" hole through door.

2. Place backplate on door so that the flat surface is toward the floor. The flat surface should be parallel to the floor and perpendicular to the door edge. A builder's square should be used for best results. Using the backplate as a template, mark center locations for (3) screw holes. Remove backplate and pre-drill (3) holes for screws 1/2" deep using a 1/16" drill bit. Install backplate with (3) flat head screws provided. Repeat for both sides of door. IMPORTANT: Before drilling 1/16" holes ensure the spindle can insert into one backplate and out of the other at marked position.



*Note: #8 Oval Head Screws are not required on 3" rose styles.

WARRANTY INFORMATION

FOLLOW STEPS #5 THRU #7 OF PASSAGE LATCHSET INSTALLATION FOR ATTACHING THE ROSE, SPINDLE & KNOB OR LEVER.

Limited Lifetime Mechanical Warranty – Baldwin warrants that each Baldwin product shall be free from mechanical defects at the time of delivery and for the lifetime of the product or as long as you own your home.

Limited Lifetime Finish™ Warranty – The Baldwin Lifetime Finish™ uses advanced finishing technology (physical vapor deposition) to create a finish highly resistant to the effects of weather and normal wear and tear. The Limited Lifetime Finish Warranty on Lifetime Finish™ products covers the original purchaser for as long as you own your home.

Limited Finish Warranty – The finish on Baldwin products (excluding Lifetime Finish and living finish products) is protected by a durable topcoat designed to maintain the beauty and quality of the Baldwin product. The Baldwin Limited Finish Warranty covers the original purchaser for five years from date of purchase for interior use and one year for exterior use.

Living Finishes – Due to the nature of Baldwin living finish products, they will wear over time and may already have begun the process before reaching your home. No finish warranty is offered on living finish products, which are designed to age and improve over time. Living finishes include raw brass, oil rubbed bronze, stainless steel, and other non-lacquered or non-PVD finishes.

Refer to www.baldwinhardware.com for a complete warranty statement.