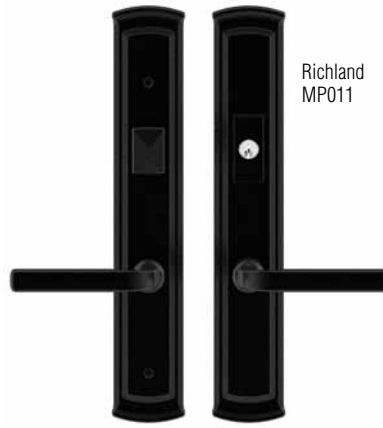




Bristol
MP009



Richland
MP011



Lakeshore – MP013



Springfield – MP001



Bismark – MP002



Boulder – MP016



Cody – MP015



Concord – MP004



Kensington – MP003



Watch for this icon as your quick guide to coordinating Baldwin lock hardware throughout your home. Your favorite Baldwin styles are now available in Mortise for entrance needs, Tubular for entrance/interiors, AND Multi-Point for patio doors!

PROFILE CYLINDERS

RECOMMENDED FINISHES	ORIGINAL FINISHES
040	003, 030, 031, 033, 034, 060, 040, 050, 038
112	412, 102, 190, 402, 112
264	055, 056, 150, 151, 260, 264, 452

AMERICAN CYLINDERS

RECOMMENDED FINISHES	ORIGINAL FINISHES
040	003, 030, 031, 033, 034, 038, 040, 050, 060, 102, 112, 190, 402, 412,
264	055, 056, 150, 151, 260, 264, 452

- > Fits 92 and 105 mm cylinder to lever C.T.C.
- > Estate Collection finish options to suit any home.
- > Profile or American Cylinder.
- > Available as complete sets, minus lever sets, or choose your own lever style to build a set.
- > Easy installation with one-box shipping and cylinder/hardware for 1.75" thick door.
- > Through-bolt mounting.
- > Thick door kits available.
- > All Profile and American cylinders are field keyable to Baldwin keyway.
- > 112 finish now available for all Profile cylinders



HOW TO ORDER

1. Pick Your Multi-Point Trim (left):

- MP001 – Springfield Multi-Point Trim
- MP002 – Bismark Multi-Point Trim
- MP003 – Kensington Multi-Point Trim
- MP004 – Concord Multi-Point Trim
- MP009 – Bristol Multi-Point Trim
- MP011 – Richland Multi-Point Trim
- MP013 – Lakeshore Multi-Point Trim
- MP015 – Cody Multi-Point Trim
- MP016 – Boulder Multi-Point Trim

2. Specify Required Door Configuration:

	PAGES
Configuration #1 – Profile Cylinder Below Handle 92mm CTC, 8.5" Mounting Hole CTC	178
Configuration #2 – American Cylinder Above Handle 105mm CTC, 8.5" Mounting Hole CTC	180
Configuration #3 – American Cylinder Below Handle 92mm CTC, 8.375" Mounting Hole CTC	182
Configuration #4 – Profile Cylinder Below Handle 92mm CTC, 7.875" Mounting Hole CTC	184
Configuration #5 – American Cylinder Above or Below Handle 92mm CTC, 7.5625" Mounting Hole CTC	186
Configuration #6 – American Cylinder Above Handle 92mm CTC, 7.25 Mounting Hole CTC	188

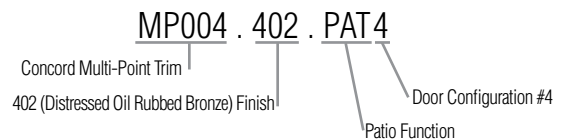
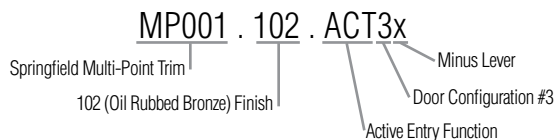
3. Pick Your Function:

- ACT – Entry, keyed w/ turnknob (supplied w/ cylinder for 1 3/4" door thickness)
- FDP – Passage, active, no cylinder or turnknob
- AIN – Inactive outside and active inside- non-keyed
- FD – Inactive, non-keyed
- PAT – Patio, non-keyed

4. Specify minus lever option, if desired:

Add "x" to suffix for minus lever option. Otherwise trim ships with stock lever choice as shown.

Examples:



5. If a lever other than the standard is desired:

Order a trim without levers and order levers separately.

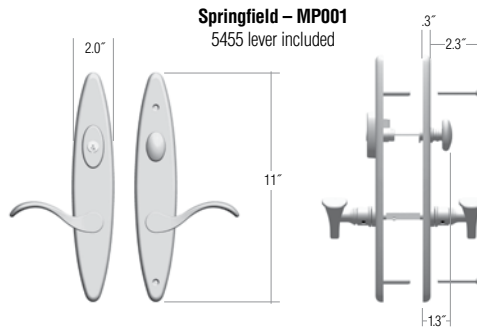
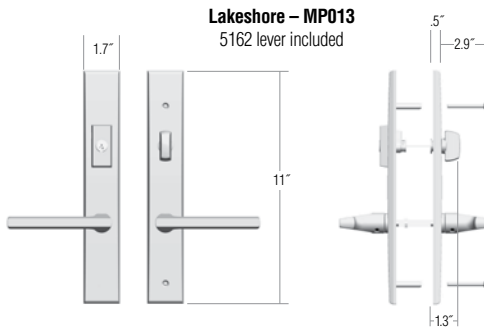
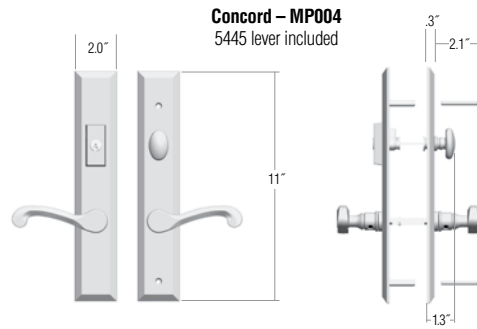
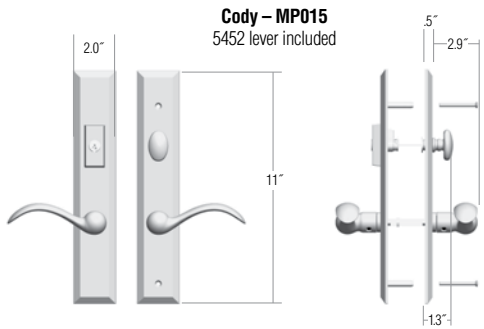
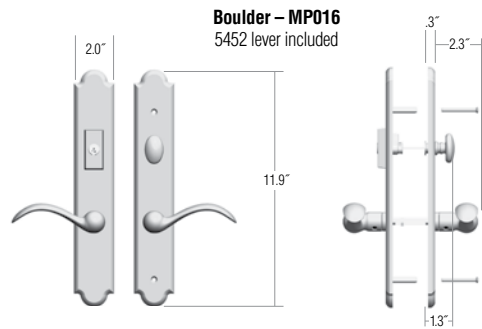
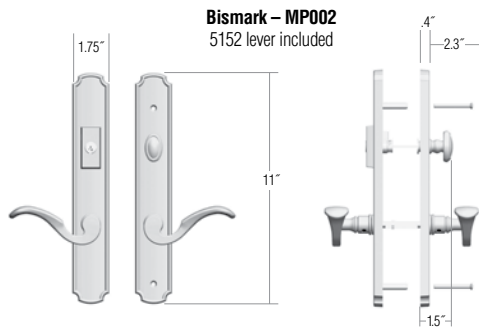
6. If split finish, order escutcheons, levers, and corresponding thick door kits separately



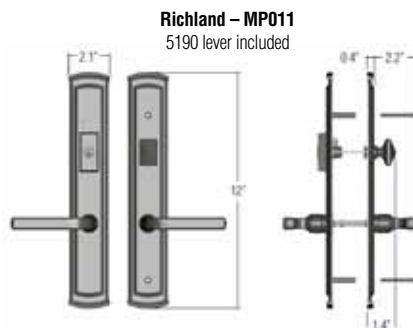
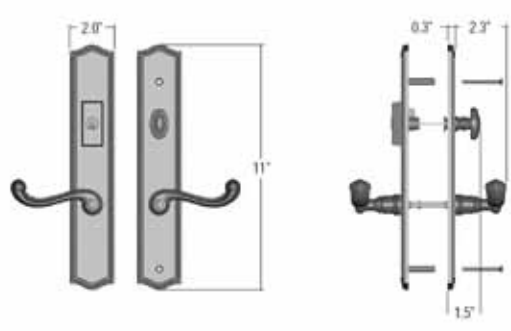
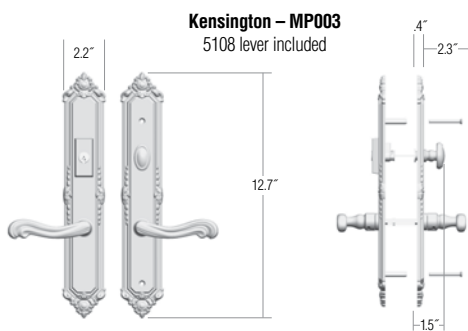
Pick your multi-point trim

Dimensional Drawings
American Cylinder Above Handle shown

Tier 1



Tier 2



Choose your Door Configuration

Go To:

- | | | |
|----|--|----------|
| #1 | Profile Cylinder Below Handle — 3-5/8" (92 mm) center to center
8-1/2" center to center mounting hole location | Page 180 |
| | G-U, [®] Hoppe, [®] Hurd, [®] JELD-WEN, [®] Kolbe & Kolbe, [®] Lincoln, [®] Loewen, [®] Norco, [®] Peachtree, [®] Pozzi, [®] Semco, [®] Vetter, [®] Weathershield, [®] Therma-Tru [®] | |
| #2 | American Cylinder Above Handle — 4-1/8" (105 mm) center to center
8-1/2" center to center mounting hole location | Page 182 |
| #3 | American Cylinder Below Handle — 3-5/8" (92 mm) center to center
8-3/8" center to center mounting hole location

Pella [®] | Page 184 |
| #4 | Profile Cylinder Below Handle — 3-5/8" (92 mm) center to center
7-7/8" center to center mounting hole location | Page 186 |
| | Caradco, [®] G-U, [®] Hoppe, [®] Hurd, [®] Eagle, [®] Kolbe & Kolbe, [®] Lincoln, [®] Loewen, [®] Norco, [®] Peachtree, [®] Pozzi, [®] Semco, [®] Sierra Pacific, [®] Vetter, [®] Weathershield, [®] and others | |
| #5 | American Cylinder Above or Below Handle — 3-5/8" (92 mm) center to center
7-9/16" center to center mounting hole location

G-U, [®] Eagle, [®] BiltBest, [®] Marvin Integrity, [®] Pella [®]
Sierra Pacific, [®] Superior, [®] Willmar [®] | Page 188 |
| #6 | American Cylinder Above Handle — 3-5/8" (92 mm) center to center
7-1/4" center to center mounting hole location

Ashland, [®] Caradco, [®] Milgard, [®] Marvin, [®] Peachtree, [®] Weathershield [®] | Page 190 |

Baldwin, Baldwin Estate collection and other names of Baldwin products referenced herein are trademarks or registered trademarks of Baldwin Hardware Corporation. All other company names mentioned herein are the trademarks or registered trademarks of their respective owners.



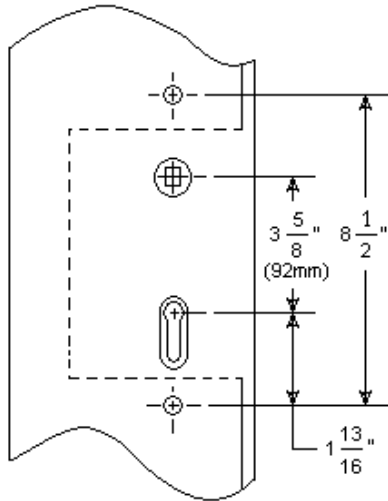
Choose function

Swinging Patio Door Hardware -
Set includes Plates, Handles and Cylinders (where applicable)

#1

Profile Cylinder Below Handle — 3-5/8" (92 mm) center to center
8-1/2" center to center mounting hole location

G-U,[®] Hoppe,[®] Hurd,[®] JELD-WEN,[®] Kolbe & Kolbe,[®] Lincoln,[®] Loewen,[®] Norco,[®] Peachtree,[®] Pozzi,[®] Semco,[®] Vetter,[®] Weathershield,[®] Therma-Tru[®]



Bismark, Boulder, Cody, Concord, Lakeshore, Springfield

030, 031, 033
034, 038, 040
050, 060, 102
112, 150, 151
190, 260, 264

003, 055
056, 402
412, 452

WITHOUT LEVERS

030, 031, 033
034, 038, 040
050, 060, 102
112, 150, 151
190, 260, 264

003, 055
056, 402
412, 452

030, 031, 033
034, 038, 040
050, 060, 102
112, 150, 151
190, 260, 264

003, 055
056, 402
412, 452

Entrance Profile Cylinder Multi-point

ACT1 Entry - Keyed W/ Turnknob \$550 625

Passage Multi-point

FDP1 Passage - Active No Cylinder Or Turnknob 450 525

Half Inactive / Half Passage Multi-point

AIN1 Inactive Outside And Active Inside - Non-keyed 450 525

Full Inactive Multi-point

FD1 Inactive - Non-keyed 450 525

Patio Multi-point

PAT1 Patio - Non-keyed 450 525

Multi-point, Escutcheons ONLY

KN11 KN, Cut for Knob Inside \$190 220

KN1R1 KN, Cut for Knob Inside - Rigid Lever 190 220

KN01 KN, Cut for Knob Outside 190 220

KNOR1 KN, Cut for Knob Outside - Rigid Lever 190 220

KC1 KC, Cut for Cylinder Outside - Pro C1 210 240

KCT1 KC, Cut for Cylinder Inside - Pro C1 210 240

Kensington, Bristol, Richland

030, 031, 033
034, 038, 040
050, 060, 102
112, 150, 151
190, 260, 264

003, 055
056, 402
412, 452

WITHOUT LEVERS

030, 031, 033
034, 038, 040
050, 060, 102
112, 150, 151
190, 260, 264

003, 055
056, 402
412, 452

030, 031, 033
034, 038, 040
050, 060, 102
112, 150, 151
190, 260, 264

003, 055
056, 402
412, 452

Entrance Profile Cylinder Multi-point

ACT1 Entry - Keyed W/ Turnknob \$600 675

Passage Multi-point

FDP1 Passage - Active No Cylinder Or Turnknob 500 575

Half Inactive / Half Passage Multi-point

AIN1 Inactive Outside And Active Inside - Non-keyed 500 575

Full Inactive Multi-point

FD1 Inactive - Non-keyed 500 575

Patio Multi-point

PAT1 Patio - Non-keyed 500 575

Multi-point, Escutcheons ONLY

KN11 KN, Cut for Knob Inside \$210 240

KN1R1 KN, Cut for Knob Inside - Rigid Lever 210 240

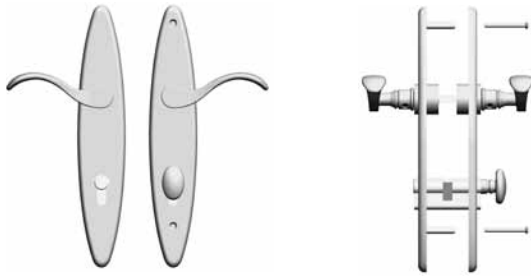
KN01 KN, Cut for Knob Outside 210 240

KNOR1 KN, Cut for Knob Outside - Rigid Lever 210 240

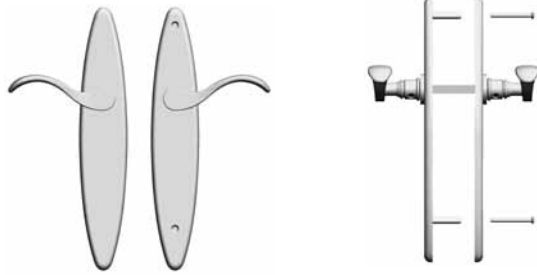
KC1 KC, Cut for Cylinder Outside - Pro C1 230 260

KCT1 KC, Cut for Cylinder Inside - Pro C1 230 260

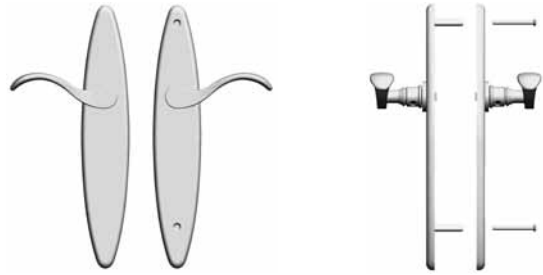
ACT1 – Entrance Profile Cylinder



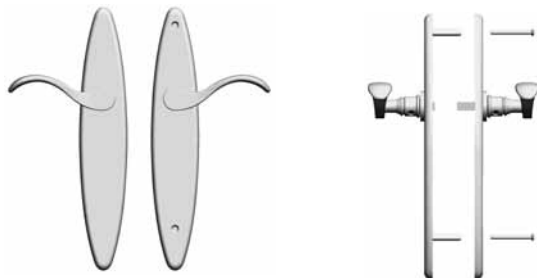
FDP1 – Passage



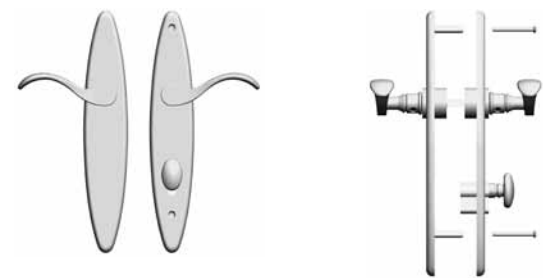
FD1 – Full Inactive



AIN1 – Half Inactive/Half Passage



PAT1 – Patio



Thick Door Kits

Baldwin Multi-Point Active & Patio trims assume 1.75" door thickness. For thicker doors, please order a Thick Door kit according to the chart below. Specify cylinder finish where noted. Available cylinder finishes include ONLY 264 (Satin Chrome), 040 (Satin Brass) and 112 (Venetian Bronze). See finish chart on page 176 for cylinder finish recommendations.

ACT1	1 3/4"	2"	2 1/4"	2 3/8"	2 1/2"	2 3/4"	List Price
All others	MP000.xxx.ACTD	MP000.xxx.ACTD	MP000.xxx.ACTE	MP000.xxx.ACTF	MP000.xxx.ACTG	MP000.xxx.ACTG	\$120
Bismark, Kensington, Lakeshore	MP000.xxx.ACTD	MP000.xxx.ACTE	MP000.xxx.ACTE	MP000.xxx.ACTF	MP000.xxx.ACTG	MP000.xxx.ACTI	\$120
PAT1	1 3/4"	2"	2 1/4"	2 3/8"	2 1/2"	2 3/4"	
All others	MP000.xxx.PATJ	MP000.xxx.PATJ	MP000.xxx.PATK	MP000.xxx.PATL	MP000.xxx.PATM	MP000.xxx.PATM	\$25
Bismark, Kensington, Lakeshore	MP000.xxx.PATJ	MP000.xxx.PATK	MP000.xxx.PATK	MP000.xxx.PATL	MP000.xxx.PATM	MP000.xxx.PATO	\$25
AIN Sets	1 3/4" to 2 1/4"			2 3/8" to 2 3/4"			
	MP000.000.AINS			MP000.000.AINT			\$25
FD Sets	1 3/4" to 2 1/4"			2 3/8" to 2 3/4"			
	MP000.000.FDPTP			MP000.000.FDPTQ			\$25
FDP Sets	1 3/4" to 2 1/4"			2 3/8" to 2 3/4"			
	MP000.000.FDPTP			MP000.000.FDPTQ			\$25

Included w/ standard sets

ACT kits include: 8mm to 7.3mm Conversion Spindle, Keyed Cylinder, and Cylinder Installation Hardware
 PAT kits include: 8mm to 7.3mm Conversion Spindle, Patio Cylinder, and Cylinder Installation Hardware
 AIN kits include: Half spindle, and Spindle Installation Hardware
 FDPTP kits include: 8mm to 7.3mm Conversion Spindle

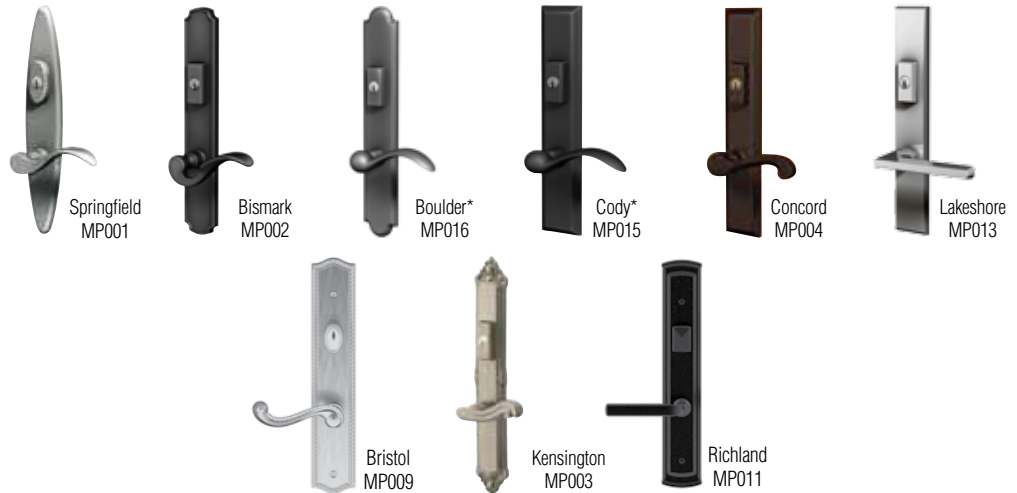
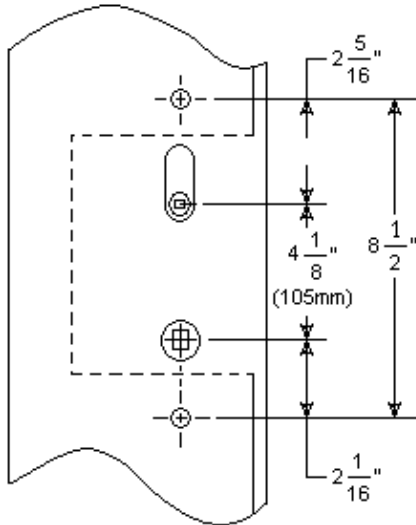


Choose function

Swinging Patio Door Hardware -
Set includes Plates, Handles and Cylinders (where applicable)

#2

American Cylinder Above Handle — 4-1/8" (105 mm) center to center
8-1/2" center to center mounting hole location



**Bismark, Boulder, Cody,
Concord, Lakeshore, Springfield**

030, 031, 033
034, 038, 040
050, 060, 102
112, 150, 151
190, 260, 264

003, 055
056, 402
412, 452

WITHOUT LEVERS

030, 031, 033
034, 038, 040
050, 060, 102
112, 150, 151
190, 260, 264

003, 055
056, 402
412, 452

030, 031, 033
034, 038, 040
050, 060, 102
112, 150, 151
190, 260, 264

003, 055
056, 402
412, 452

Entrance American Cylinder Multi-point

ACT2 Entry - Keyed W/ Turnknob \$575 650

105 MM Double Door

FWHAP Double Door Entry - 1 Keyed, 1 Inactive 1025 1100

Passage Multi-point

FDP2 Passage - Active No Cylinder Or Turnknob 450 525

Half Inactive / Half Passage Multi-point

AIN2 Inactive Outside And Active Inside - Non-keyed 450 525

Full Inactive Multi-point

FD2 Inactive - Non-keyed 450 525

Patio Multi-point

PAT2 Patio - Non-keyed 450 525

430 485

880 935

305 360

305 360

305 360

305 360

Multi-point, Escutcheons ONLY

KNIR2 KN, Cut for Knob Inside \$190 220

KNIR2 KN, Cut for Knob Inside - Rigid Lever 190 220

KNO2 KN, Cut for Knob Outside 190 220

KNOR2 KN, Cut for Knob Outside - Rigid Lever 190 220

KCA2 KC, Cut for Cylinder Outside - Ande C2 220 250

KTA2 KT, Cut for Turnpiece Inside - Ande C2 210 240

Kensington, Bristol, Richland

030, 031, 033
034, 038, 040
050, 060, 102
112, 150, 151
190, 260, 264

003, 055
056, 402
412, 452

WITHOUT LEVERS

030, 031, 033
034, 038, 040
050, 060, 102
112, 150, 151
190, 260, 264

003, 055
056, 402
412, 452

030, 031, 033
034, 038, 040
050, 060, 102
112, 150, 151
190, 260, 264

003, 055
056, 402
412, 452

Entrance American Cylinder Multi-point

ACT2 Entry - Keyed W/ Turnknob \$625 700

Passage Multi-point

FDP2 Passage - Active No Cylinder Or Turnknob 500 575

Half Inactive / Half Passage Multi-point

AIN2 Inactive Outside And Active Inside - Non-keyed 500 575

Full Inactive Multi-point

FD2 Inactive - Non-keyed 500 575

Patio Multi-point

PAT2 Patio - Non-keyed 500 575

480 535

355 410

355 410

355 410

355 410

Multi-point, Escutcheons ONLY

KNIR2 KN, Cut for Knob Inside \$210 240

KNIR2 KN, Cut for Knob Inside - Rigid Lever 210 240

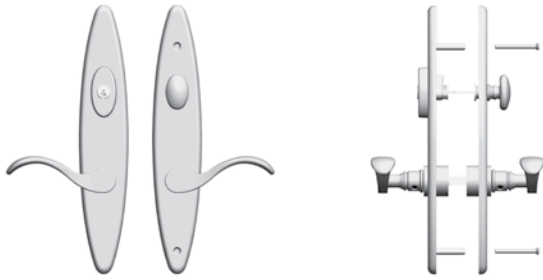
KNO2 KN, Cut for Knob Outside 210 240

KNOR2 KN, Cut for Knob Outside - Rigid Lever 210 240

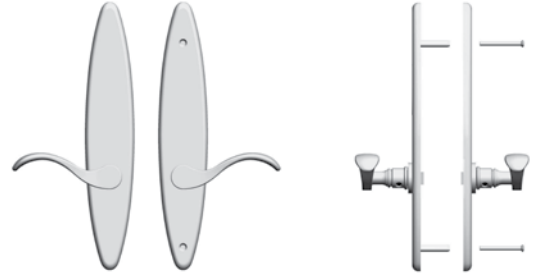
KCA2 KC, Cut for Cylinder Outside - Ande C2 240 270

KTA2 KT, Cut for Turnpiece Inside - Ande C2 230 260

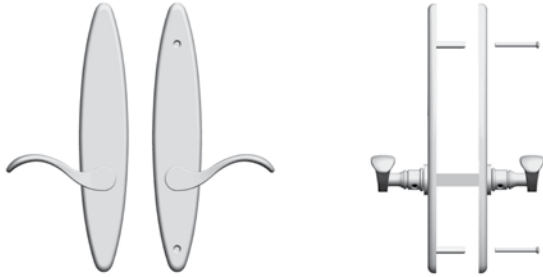
ACT2 – Entrance American Cylinder



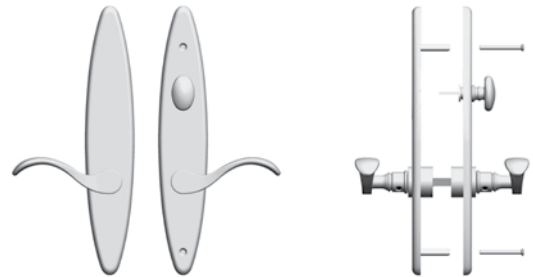
FD2 – Full Inactive



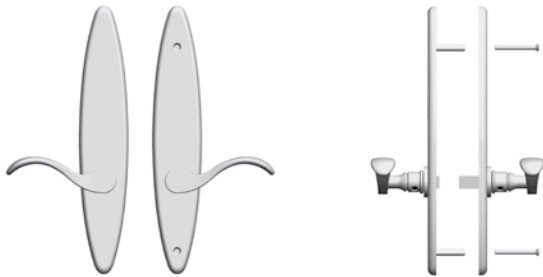
FDP2 – Passage



PAT2 – Patio



AIN2 – Half Inactive/Half Passage



Thick Door Kits

Specify cylinder finish where noted.

*ACT2 - Finish matches trim exactly (any of the 21 Baldwin finishes)

ACT2*	1 3/4"		List Price
	MP000.xxx.ACTR*		\$115
AIN Sets	1.75"		
	MP000.000.AINS		\$25
AIN Sets	2" to 2 1/4"	2 3/8" to 3"	
	MP000.000.AINS	MP000.000.AINT	\$25
FD Sets	1 3/4" to 2 1/4"	2 3/8" to 2 3/4"	
	MP000.000.FDPTP	MP000.000.FDPTQ	\$25
FDP Sets	1 3/4" to 2 1/4"	2 3/8" to 2 3/4"	
	MP000.000.FDPTP	MP000.000.FDPTQ	\$25

ACT kits include: 8mm to 7.3mm Conversion Spindle, Keyed Cylinder, and Cylinder Installation Hardware
 AIN kits include: Half spindle, and Spindle Installation Hardware
 FDPTP kits include: 8mm to 7.3mm Conversion Spindle

Included w/ standard sets

105 MM DOUBLE DOOR

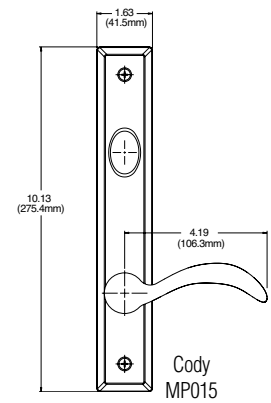
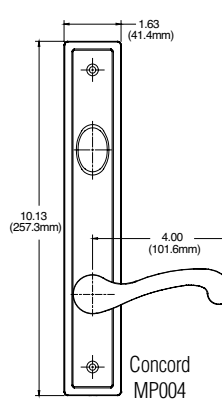
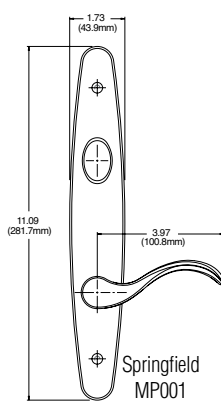
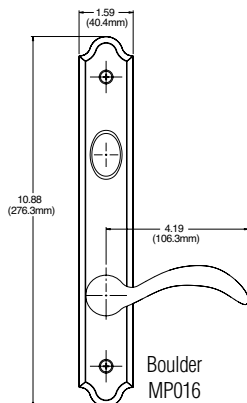
Boulder, Cody, Concord, Springfield	030, 031, 033 034, 038, 040 050, 060, 102 112, 150, 151 190, 260, 264	003, 055 056, 402 412, 452
-------------------------------------	---	----------------------------------

105 mm Double Door		
FWHAP Active & Inactive Set	\$1025	1175
FWHAX Active & Inactive Set w/o Levers	735	845

Special Notes

- Boulder, Cody, Concord, Springfield Double Door Applications Only — Due to the special fit requirements of applying these four 105mm CTC styles in a double door application, the modified dimensions shown below apply to these four styles for double door applications only. Please specify function 'FWHAP' or 'FWHAX' to order. Pricing is as shown.
- Due to the width of the escutcheon plates, Bristol, Richland and Kensington are not recommended on double door applications for 105mm CTC configurations.
- The standard Bismark and Lakeshore plates can be used on double door applications for 105mm CTC configurations.

105MM DOUBLE DOOR DIMENSIONAL DRAWINGS



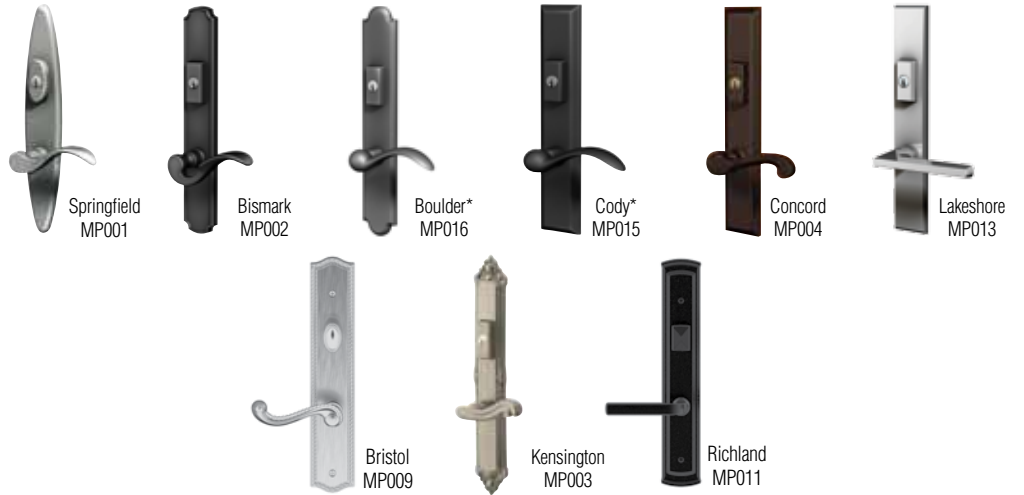
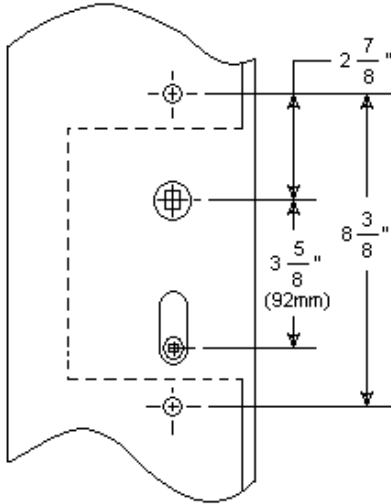
Choose function

Swinging Patio Door Hardware -
Set includes Plates, Handles and Cylinders (where applicable)

#3

American Cylinder Below Handle — 3-5/8" (92 mm) center to center
8-3/8" center to center mounting hole location

Pella®



**Bismark, Boulder, Cody,
Concord, Lakeshore, Springfield**

030, 031, 033
034, 038, 040
050, 060, 102
112, 150, 151
190, 260, 264

003, 055
056, 402
412, 452

WITHOUT LEVERS

030, 031, 033
034, 038, 040
050, 060, 102
112, 150, 151
190, 260, 264

030, 031, 033
034, 038, 040
050, 060, 102
112, 150, 151
190, 260, 264

003, 055
056, 402
412, 452

Entrance American Cylinder Multi-point

ACT3 Entry - Keyed W/ Turnknob \$575 650

Passage Multi-point

FDP3 Passage - Active No Cylinder Or Turnknob 450 525

Half Inactive / Half Passage Multi-point

AIN3 Inactive Outside And Active Inside - Non-keyed 450 525

Full Inactive Multi-point

FD3 Inactive - Non-keyed 450 525

Patio Multi-point

PAT3 Patio - Non-keyed 450 525

Multi-point, Escutcheons ONLY

KNIR3 KN, Cut for Knob Inside \$190 220

KNIR3 KN, Cut for Knob Inside - Rigid Lever 190 220

KNO3 KN, Cut for Knob Outside 190 220

KNOR3 KN, Cut for Knob Outside - Rigid Lever 190 220

KC3 KC, Cut for Cylinder Outside - American C3 220 250

KT3 KT, Cut for Turnpiece Inside - American C3 210 240

PKT3 Patio KT, Cut for Turnpiece Inside - C3 210 240

Kensington, Bristol, Richland

500
030, 031, 033
034, 038, 040
050, 060, 102
112, 150, 151
190, 260, 264

003, 055
056, 402
412, 452

WITHOUT LEVERS

030, 031, 033
034, 038, 040
050, 060, 102
112, 150, 151
190, 260, 264

030, 031, 033
034, 038, 040
050, 060, 102
112, 150, 151
190, 260, 264

003, 055
056, 402
412, 452

Entrance American Cylinder Multi-point

ACT3 Entry - Keyed W/ Turnknob \$625 700

Passage Multi-point

FDP3 Passage - Active No Cylinder Or Turnknob 500 575

Half Inactive / Half Passage Multi-point

AIN3 Inactive Outside And Active Inside - Non-keyed 500 575

Full Inactive Multi-point

FD3 Inactive - Non-keyed 500 575

Patio Multi-point

PAT3 Patio - Non-keyed 500 575

Multi-point, Escutcheons ONLY

KNIR3 KN, Cut for Knob Inside \$210 240

KNIR3 KN, Cut for Knob Inside - Rigid Lever 210 240

KNO3 KN, Cut for Knob Outside 210 240

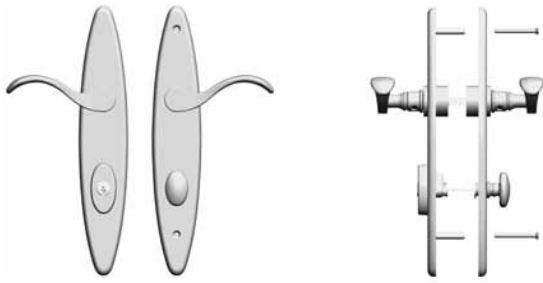
KNOR3 KN, Cut for Knob Outside - Rigid Lever 210 240

KC3 KC, Cut for Cylinder Outside - American C3 240 270

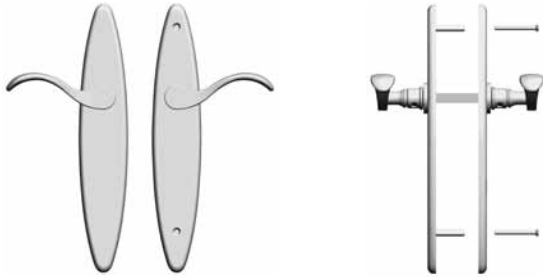
KT3 KT, Cut for Turnpiece Inside - American C3 230 260

PKT3 Patio KT, Cut for Turnpiece Inside - C3 230 260

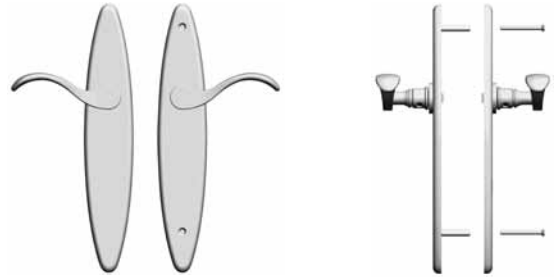
ACT3 – Entrance American Cylinder



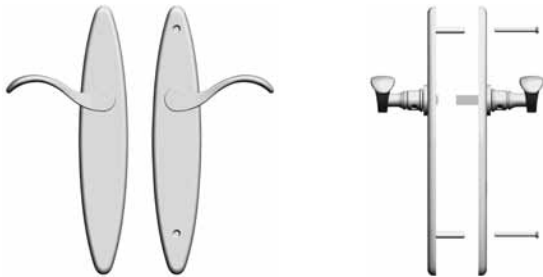
FDP3 – Passage



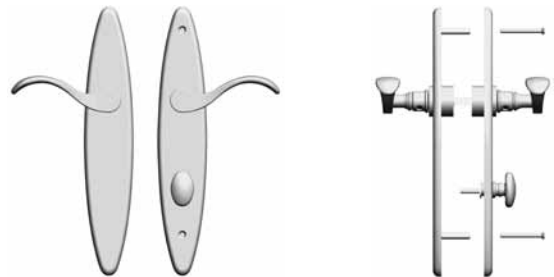
FD3 – Full Inactive



AIN3 – Half Inactive/Half Passage



PAT3 – Patio



Thick Door Kits

Config #3 Multi-Point come standard for 1 3/4" to 2 1/4" door thickness. For thicker doors, please order a Thick Door kit according to the chart below. Specify cylinder finish where noted. Available cylinder finishes include 264 (Satin Chrome) and 040 (Satin Brass) ONLY. See finish chart on page 176 for cylinder finish recommendations.

ACT3	1 3/4" to 2 1/4"	2 3/8" to 2 1/2"	2 3/4"	List Price
	MP000.xxx.ACTA	MP000.xxx.ACTB	MP000.xxx.ACTC	\$115
PAT3	1 3/4" to 2 1/4"	2 3/8" to 2 3/4"		
	MP000.000.FDPTP	MP000.000.FDPTQ		\$25
AIN Sets	1 3/4" to 2 1/4"	2 3/8" to 2 3/4"		
	MP000.000.AINS	MP000.000.AINT		\$25
FD Sets	1 3/4" to 2 1/4"	2 3/8" to 2 3/4"		
	MP000.000.FDPTP	MP000.000.FDPTQ		\$25
FDP Sets	1 3/4" to 2 1/4"	2 3/8" to 2 3/4"		
	MP000.000.FDPTP	MP000.000.FDPTQ		\$25

Included w/ standard sets

- ACT kits include: 8mm to 7.3mm Conversion Spindle, Keyed Cylinder, and Cylinder Installation Hardware
- PAT kits include: 8mm to 7.3mm Conversion Spindle
- AIN kits include: Half spindle, and Spindle Installation Hardware
- FDPTP kits include: 8mm to 7.3mm Conversion Spindle



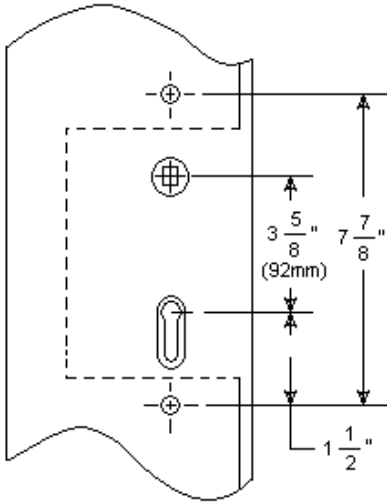
Choose function

Swinging Patio Door Hardware -
Set includes Plates, Handles and Cylinders (where applicable)

#4

Profile Cylinder Below Handle — 3-5/8" (92 mm) center to center
7-7/8" center to center mounting hole location

Caradco,[®] G-U,[®] Hoppe,[®] Hurd,[®] Eagle,[®] Kolbe & Kolbe,[®] Loewen,[®] Lincoln,[®] Norco,[®] Peachtree,[®] Pozzi,[®] Sierra Pacific,[®] Semco,[®] Vetter,[®] Weathershield,[®] and others



WITHOUT LEVERS

Bismark, Boulder, Cody, Concord, Lakeshore, Springfield

030, 031, 033
034, 038, 040
050, 060, 102
112, 150, 151
190, 260, 264

003, 055
056, 402
412, 452

030, 031, 033
034, 038, 040
050, 060, 102
112, 150, 151
190, 260, 264

003, 055
056, 402
412, 452

030, 031, 033
034, 038, 040
050, 060, 102
112, 150, 151
190, 260, 264

003, 055
056, 402
412, 452

Entrance Profile Cylinder Multi-point

ACT4 Entry - Keyed W/ Turnknob

\$550

625

405

460

Passage Multi-point

FDP4 Passage - Active No Cylinder Or Turnknob

450

525

305

360

Half Inactive / Half Passage Multi-point

AIN4 Inactive Outside And Active Inside - Non-keyed

450

525

305

360

Full Inactive Multi-point

FD4 Inactive - Non-keyed

450

525

305

360

Patio Multi-point

PAT4 Patio - Non-keyed

450

525

305

360

Multi-point, Escutcheons ONLY

KNIR4 KN, Cut for Knob Inside

\$190

220

KNIR4 KN, Cut for Knob Inside - Rigid Lever

190

220

KNO4 KN, Cut for Knob Outside

190

220

KNOR4 KN, Cut for Knob Outside - Rigid Lever

190

220

KC4 KC, Cut for Cylinder Outside - Pro C4

210

240

KCT4 KC, Cut for Cylinder Inside - Pro C4

210

240

WITHOUT LEVERS

Kensington, Bristol, Richland

030, 031, 033
034, 038, 040
050, 060, 102
112, 150, 151
190, 260, 264

003, 055
056, 402
412, 452

030, 031, 033
034, 038, 040
050, 060, 102
112, 150, 151
190, 260, 264

003, 055
056, 402
412, 452

030, 031, 033
034, 038, 040
050, 060, 102
112, 150, 151
190, 260, 264

003, 055
056, 402
412, 452

Entrance Profile Cylinder Multi-point

ACT4 Entry - Keyed W/ Turnknob

\$600

675

455

510

Passage Multi-point

FDP4 Passage - Active No Cylinder Or Turnknob

500

575

355

410

Half Inactive / Half Passage Multi-point

AIN4 Inactive Outside And Active Inside - Non-keyed

500

575

355

410

Full Inactive Multi-point

FD4 Inactive - Non-keyed

500

575

355

410

Patio Multi-point

PAT4 Patio - Non-keyed

500

575

355

410

Multi-point, Escutcheons ONLY

KNIR4 KN, Cut for Knob Inside

\$210

240

KNIR4 KN, Cut for Knob Inside - Rigid Lever

210

240

KNO4 KN, Cut for Knob Outside

210

240

KNOR4 KN, Cut for Knob Outside - Rigid Lever

210

240

KC4 KC, Cut for Cylinder Outside - Pro C4

230

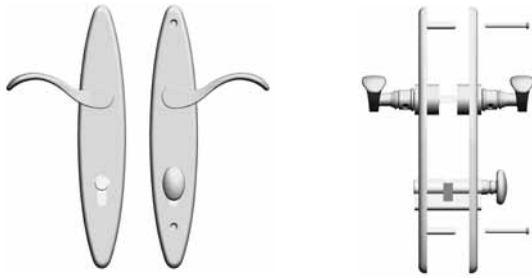
260

KCT4 KC, Cut for Cylinder Inside - Pro C4

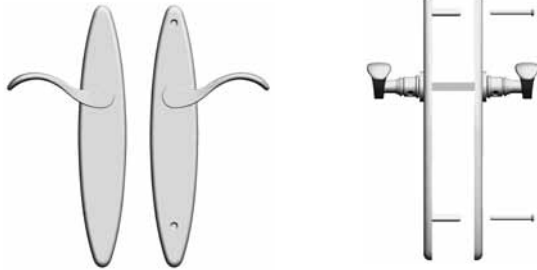
230

260

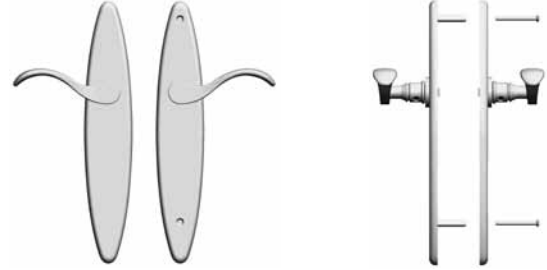
ACT4 – Entrance Profile Cylinder



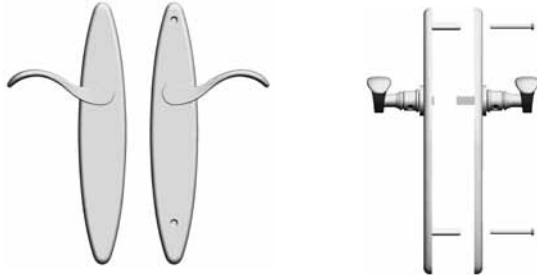
FDP4 – Passage



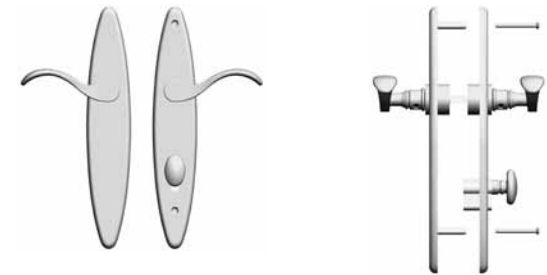
FD4 – Full Inactive



AIN4 – Half Inactive/Half Passage



PAT4 – Patio



Thick Door Kits

Config #4 Multi-Point Active and Patio trims assume 1.75" door thickness. For thicker doors, please order a Thick Door kit according to the chart below. Specify cylinder finish where noted. Available cylinder finishes include ONLY 264 (Satin Chrome), 040 (Satin Brass) and 112 (Venetian Bronze). See finish chart on page 176 for cylinder finish recommendations.

ACT kits include: 8mm to 7.3mm Conversion Spindle, Keyed Cylinder, and Cylinder Installation Hardware
 PAT kits include: 8mm to 7.3mm Conversion Spindle, Patio Cylinder and Cylinder Installation Hardware
 AIN kits include: Half spindle, and Spindle Installation Hardware
 FDPTP kits include: 8mm to 7.3mm Conversion Spindle

ACT4	1 3/4"	2"	2 1/4"	2 3/8"	2 1/2"	2 3/4"	List Price
All others	MP000.xxx.ACTD	MP000.xxx.ACTD	MP000.xxx.ACTE	MP000.xxx.ACTF	MP000.xxx.ACTG	MP000.xxx.ACTG	\$120
Bismark, Kensington, Lakeshore	MP000.xxx.ACTD	MP000.xxx.ACTE	MP000.xxx.ACTE	MP000.xxx.ACTF	MP000.xxx.ACTG	MP000.xxx.ACTI	\$120
PAT4	1 3/4"	2"	2 1/4"	2 3/8"	2 1/2"	2 3/4"	
All others	MP000.xxx.PATJ	MP000.xxx.PATJ	MP000.xxx.PATK	MP000.xxx.PATL	MP000.xxx.PATM	MP000.xxx.PATM	\$120
Bismark, Kensington, Lakeshore	MP000.xxx.PATJ	MP000.xxx.PATK	MP000.xxx.PATK	MP000.xxx.PATL	MP000.xxx.PATM	MP000.xxx.PATO	\$120
AIN Sets	1 3/4" to 2 1/4"			2 3/8" to 2 3/4"			
	MP000.000.AINS			MP000.000.AINT			\$25
FD Sets	1 3/4" to 2 1/4"			2 3/8" to 2 3/4"			
	MP000.000.FDPTP			MP000.000.FDPTQ			\$25
FDP Sets	1 3/4" to 2 1/4"			2 3/8" to 2 3/4"			
	MP000.000.FDPTP			MP000.000.FDPTQ			\$25

Included w/ standard sets



Choose function

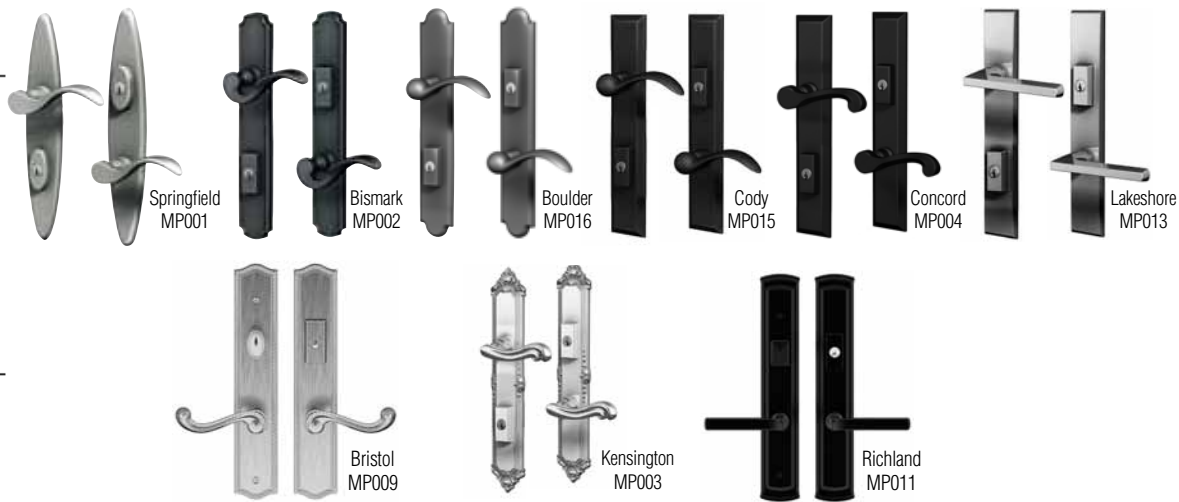
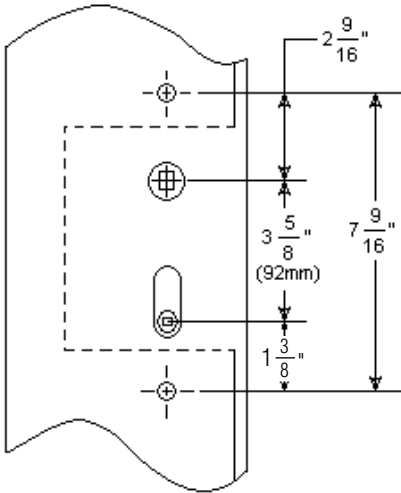
Swinging Patio Door Hardware - Set includes Plates, Handles and Cylinders (where applicable)

#5

American Cylinder Above or Below Handle — 3-5/8" (92 mm) center to center
7-9/16" center to center mounting hole location

G-U,[®] Eagle,[®] BiltBest,[®] Marvin Integrity,[®] Pella[®]
Sierra Pacific,[®] Superior,[®] Willmar[®]

NOTE: #5 cylinder to spindle orientation is reversible, works for both above and below handle mounting.



WITHOUT LEVERS

**Bismark, Boulder, Cody,
Concord, Lakeshore, Springfield**

030, 031, 033
034, 038, 040
050, 060, 102
112, 150, 151
190, 260, 264

003, 055
056, 402
412, 452

030, 031, 033
034, 038, 040
050, 060, 102
112, 150, 151
190, 260, 264

003, 055
056, 402
412, 452

030, 031, 033
034, 038, 040
050, 060, 102
112, 150, 151
190, 260, 264

003, 055
056, 402
412, 452

Entrance American Cylinder Multi-point

ACT5	Entry - Keyed W/ Turnknob	\$575	650	430	485
Passage Multi-point					
FDP5	Passage - Active No Cylinder Or Turnknob	450	525	305	360
Half Inactive / Half Passage Multi-point					
AIN5	Inactive Outside And Active Inside - Non-keyed	450	525	305	360
Full Inactive Multi-point					
FD5	Inactive - Non-keyed	450	525	305	360
Patio Multi-point					
PAT5	Patio - Non-keyed	450	525	305	360

Multi-point, Escutcheons ONLY

KN15	KN, Cut for Knob Inside	\$190	220
KN1R5	KN, Cut for Knob Inside - Rigid Lever	190	220
KNO5	KN, Cut for Knob Outside	190	220
KNOR5	KN, Cut for Knob Outside - Rigid Lever	190	220
KC5	KC, Cut for Cylinder Outside - American C5	220	250
KT5	KT, Cut for Turnpiece Inside - American C5	210	240
PKT5	Patio KT, Cut for Turnpiece Inside - C5	210	240

WITHOUT LEVERS

Kensington, Bristol, Richland

030, 031, 033
034, 038, 040
050, 060, 102
112, 150, 151
190, 260, 264

003, 055
056, 402
412, 452

030, 031, 033
034, 038, 040
050, 060, 102
112, 150, 151
190, 260, 264

003, 055
056, 402
412, 452

030, 031, 033
034, 038, 040
050, 060, 102
112, 150, 151
190, 260, 264

003, 055
056, 402
412, 452

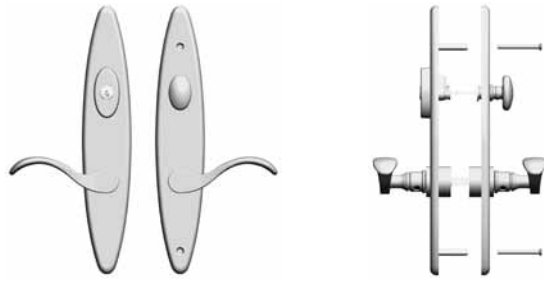
Entrance American Cylinder Multi-point

ACT5	Entry - Keyed W/ Turnknob	\$625	700	480	535
Passage Multi-point					
FDP5	Passage - Active No Cylinder Or Turnknob	500	575	355	410
Half Inactive / Half Passage Multi-point					
AIN5	Inactive Outside And Active Inside - Non-keyed	500	575	355	410
Full Inactive Multi-point					
FD5	Inactive - Non-keyed	500	575	355	410
Patio Multi-point					
PAT5	Patio - Non-keyed	500	575	355	410

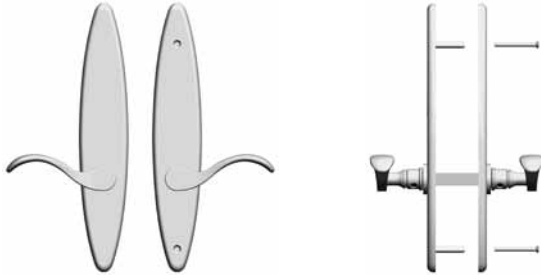
Multi-point, Escutcheons ONLY

KN15	KN, Cut for Knob Inside	\$210	240
KN1R5	KN, Cut for Knob Inside - Rigid Lever	210	240
KNO5	KN, Cut for Knob Outside	210	240
KNOR5	KN, Cut for Knob Outside - Rigid Lever	210	240
KC5	KC, Cut for Cylinder Outside - American C5	240	270
KT5	KT, Cut for Turnpiece Inside - American C5	230	260
PKT5	Patio KT, Cut for Turnpiece Inside - C5	230	260

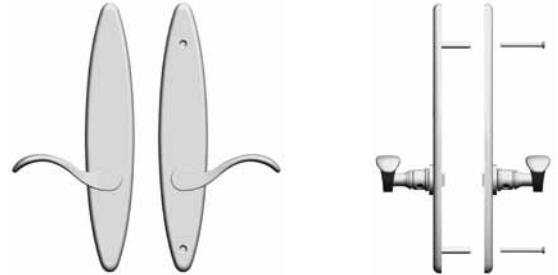
ACT5 – Entrance American Cylinder



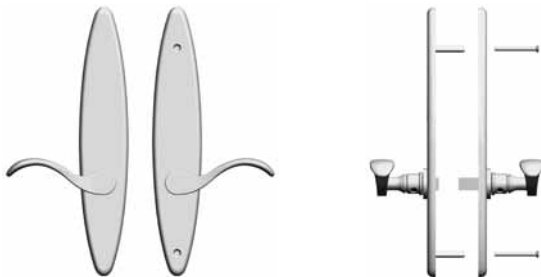
FDP5 – Passage



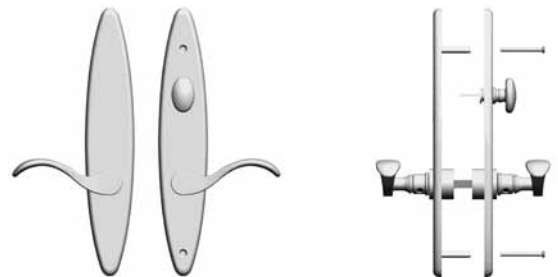
FD5 – Full Inactive



AIN5 – Half Inactive/Half Passage



PAT5 – Patio



Thick Door Kits

Config #5 Multi-Point trims come standard for 1 3/4" to 2 1/4" door thickness. For thicker doors, please order a Thick Door kit according to the chart below. Specify cylinder finish where noted.

Available cylinder finishes include 264 (Satin Chrome) and 040 (Satin Brass) ONLY.

See finish chart on page 176 for cylinder finish recommendations.

ACT5	1 3/4" to 2 1/4"	2 3/8" to 2 1/2"	2 3/4"	List Price
	MP000.xxx.ACTA	MP000.xxx.ACTB	MP000.xxx.ACTC	\$115
PAT5	1 3/4" to 2 1/4"	2 3/8" to 2 3/4"		
	MP000.000.FDPTP	MP000.000.FDPTQ		\$25
AIN Sets	1 3/4" to 2 1/4"	2 3/8" to 2 3/4"		
	MP000.000.AINS	MP000.000.AINT		\$25
FD Sets	1 3/4" to 2 1/4"	2 3/8" to 2 3/4"		
	MP000.000.FDPTP	MP000.000.FDPTQ		\$25
FDP Sets	1 3/4" to 2 1/4"	2 3/8" to 2 3/4"		
	MP000.000.FDPTP	MP000.000.FDPTQ		\$25

Included w/ standard sets

ACT kits include: 8mm to 7.3mm Conversion Spindle, Keyed Cylinder, and Cylinder Installation Hardware

PAT kits include: 8mm to 7.3mm Conversion Spindle

AIN kits include: Half spindle, and Spindle Installation Hardware

FDPTP kits include: 8mm to 7.3mm Conversion Spindle



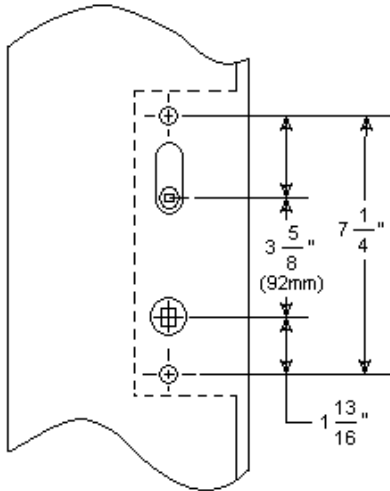
Choose function

Swinging Patio Door Hardware -
Set includes Plates, Handles and Cylinders (where applicable)

#6

American Cylinder Above Handle — 3-5/8" (92 mm) center to center
7-1/4" center to center mounting hole location

Ashland,[®] Caradco,[®] Milgard,[®] Marvin,[®] Peachtree,[®] Weathershield[®]



**Bismark, Boulder, Cody,
Concord, Lakeshore, Springfield**

030, 031, 033
034, 038, 040
050, 060, 102
112, 150, 151
190, 260, 264

003, 055
056, 402
412, 452

WITHOUT LEVERS

030, 031, 033
034, 038, 040
050, 060, 102
112, 150, 151
190, 260, 264

003, 055
056, 402
412, 452

030, 031, 033
034, 038, 040
050, 060, 102
112, 150, 151
190, 260, 264

003, 055
056, 402
412, 452

Entrance American Cylinder Multi-point

ACT6 Entry - Keyed W/ Turnknob \$575 650

Passage Multi-point

FDP6 Passage - Active No Cylinder Or Turnknob 450 525

Half Inactive / Half Passage Multi-point

AIN6 Inactive Outside And Active Inside - Non-keyed 450 525

Full Inactive Multi-point

FD6 Inactive - Non-keyed 450 525

Patio Multi-point

PAT6 Patio - Non-keyed 450 525

430 485

305 360

305 360

305 360

305 360

Multi-point, Escutcheons ONLY

KNIR6 KN, Cut for Knob Inside \$190 220

KNIR6 KN, Cut for Knob Inside - Rigid Lever 190 220

KNO6 KN, Cut for Knob Outside 190 220

KNOR6 KN, Cut for Knob Outside - Rigid Lever 190 220

KC6 KC, Cut for Cylinder Outside - American C6 220 250

KT6 KT, Cut for Turnpiece Inside - American C6 210 240

PKT6 Patio KT, Cut for Turnpiece Inside - C6 210 240

Kensington, Bristol, Richland

030, 031, 033
034, 038, 040
050, 060, 102
112, 150, 151
190, 260, 264

003, 055
056, 402
412, 452

WITHOUT LEVERS

030, 031, 033
034, 038, 040
050, 060, 102
112, 150, 151
190, 260, 264

003, 055
056, 402
412, 452

030, 031, 033
034, 038, 040
050, 060, 102
112, 150, 151
190, 260, 264

003, 055
056, 402
412, 452

Entrance American Cylinder Multi-point

ACT6 Entry - Keyed W/ Turnknob \$625 700

Passage Multi-point

FDP6 Passage - Active No Cylinder Or Turnknob 500 575

Half Inactive / Half Passage Multi-point

AIN6 Inactive Outside And Active Inside - Non-keyed 500 575

Full Inactive Multi-point

FD6 Inactive - Non-keyed 500 575

Patio Multi-point

PAT6 Patio - Non-keyed 500 575

480 535

355 410

355 410

355 410

355 410

Multi-point, Escutcheons ONLY

KNIR6 KN, Cut for Knob Inside \$210 240

KNIR6 KN, Cut for Knob Inside - Rigid Lever 210 240

KNO6 KN, Cut for Knob Outside 210 240

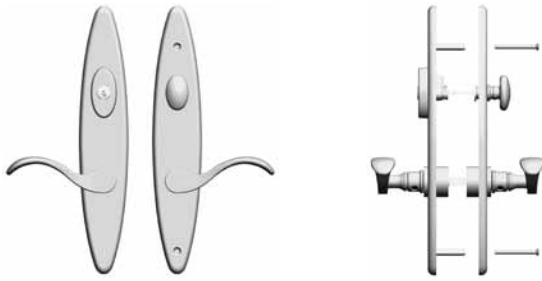
KNOR6 KN, Cut for Knob Outside - Rigid Lever 210 240

KC6 KC, Cut for Cylinder Outside - American C6 240 270

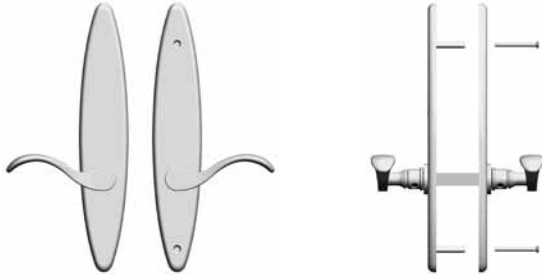
KT6 KT, Cut for Turnpiece Inside - American C6 230 260

PKT6 Patio KT, Cut for Turnpiece Inside - C6 230 260

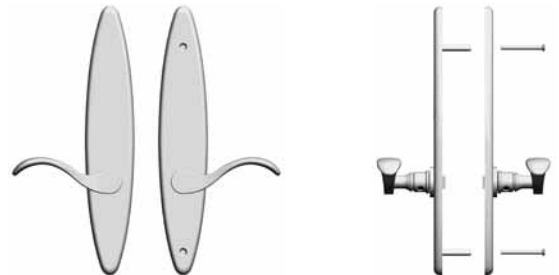
ACT6 – Entrance American Cylinder



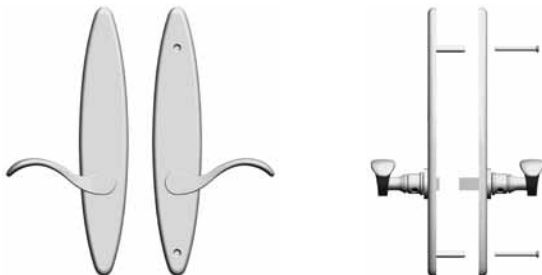
FDP6 – Passage



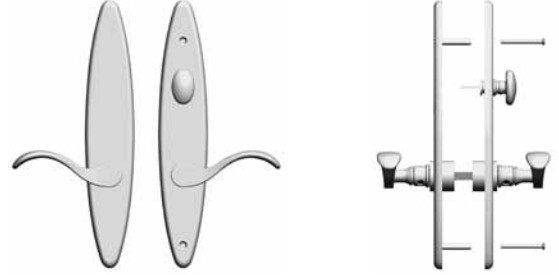
FD6 – Full Inactive



AIN6 – Half Inactive/Half Passage



PAT6 – Patio



Thick Door Kits

Config #6 Multi-Point trims come standard for 1 3/4" to 2 1/4" door thickness. For thicker doors, please order a Thick Door kit according to the chart below. Specify cylinder finish where noted. Available cylinder finishes include 264 (Satin Chrome) and 040 (Satin Brass) ONLY. See finish chart on page 176 for cylinder finish recommendations.

ACT6	1 3/4" to 2 1/4"	2 3/8" to 2 1/2"	2 3/4"	List Price
	MP000.xxx.ACTA	MP000.xxx.ACTB	MP000.xxx.ACTC	\$120
PAT6	1 3/4" to 2 1/4"	2 3/8" to 2 3/4"		
	MP000.000.FDPTP	MP000.000.FDPTQ		\$25
AIN Sets	1 3/4" to 2 1/4"	2 3/8" to 2 3/4"		
	MP000.000.AINS	MP000.000.AINT		\$25
FD Sets	1 3/4" to 2 1/4"	2 3/8" to 2 3/4"		
	MP000.000.FDPTP	MP000.000.FDPTQ		\$25
FDP Sets	1 3/4" to 2 1/4"	2 3/8" to 2 3/4"		
	MP000.000.FDPTP	MP000.000.FDPTQ		\$25

Included w/ standard sets

- ACT kits include: 8mm to 7.3mm Conversion Spindle, Keyed Cylinder, and Cylinder Installation Hardware
- PAT kits include: 8mm to 7.3mm Conversion Spindle
- AIN kits include: Half spindle, and Spindle Installation Hardware
- FDPTP kits include: 8mm to 7.3mm Conversion Spindle





EUROPEAN MORTISE TRIM

TECHNICAL SPECIFICATIONS
AND PRICE LIST



HOW TO ORDER – European Mortise

1. Pick Your Trim (left):

- MP001 – Springfield European Mortise Trim
- MP002 – Bismark European Mortise Trim
- MP003 – Kensington European Mortise Trim
- MP004 – Concord European Mortise Trim
- MP009 – Bristol European Mortise Trim
- MP011 – Richland European Mortise Trim
- MP013 – Lakeshore European Mortise Trim
- MP015 – Cody European Mortise Trim
- MP016 – Boulder European Mortise Trim

2. Specify Required Door Configuration:

- Configuration #7 – European Mortise – 72mm CTC
- Configuration #8 – European Mortise – 85mm CTC

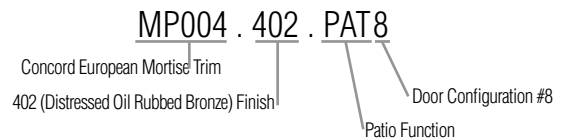
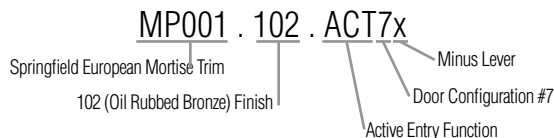
3. Pick Your Function:

- ACT – Entry, keyed w/ turnknob (supplied w/ cylinder for 44.45 mm door thickness)
- FDP – Passage, active, no cylinder or turnknob
- FD – Inactive, non-keyed
- PAT – Patio, non-keyed

4. Specify minus lever option, if desired:

Add “x” to suffix for minus lever option. Otherwise trim ships with stock lever choice as shown.

Examples:



5. If a lever other than the standard is desired:

Order trim without levers and order levers separately

6. If split finish, order components separately

Escutcheon, lever, kit will be priced separately

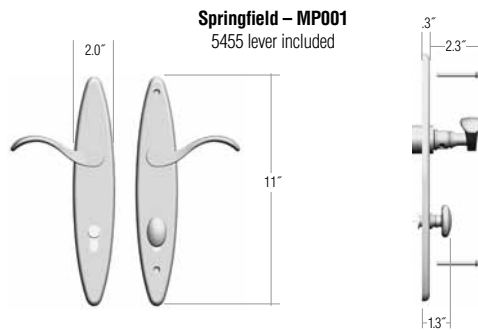
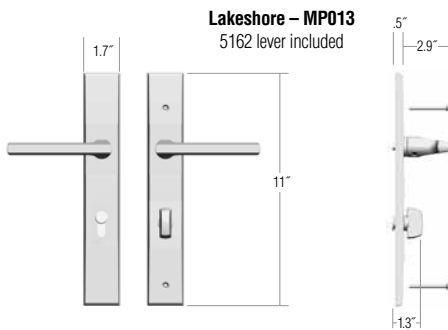
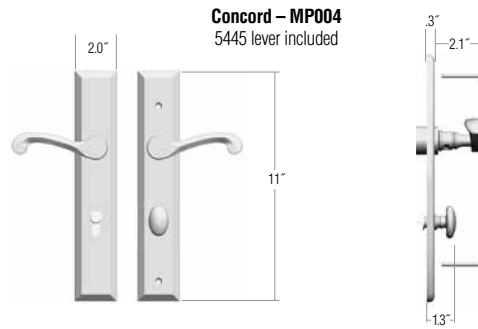
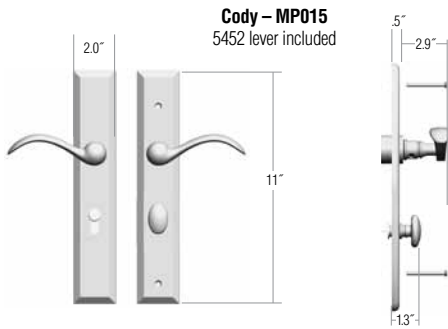
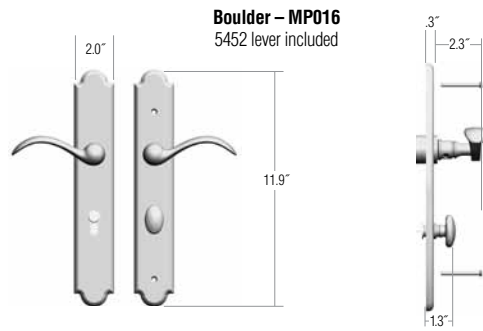
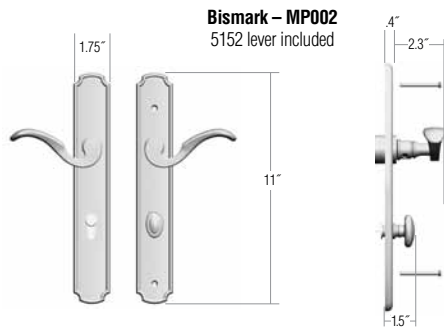
RECOMMENDED CYLINDER FINISHES

RECOMMENDED FINISHES	ORIGINAL FINISHES
040	003, 030, 031, 033, 034, 060, 040, 050, 038
112	412, 102, 190, 402, 112
264	055, 056, 150, 151, 260, 264, 452

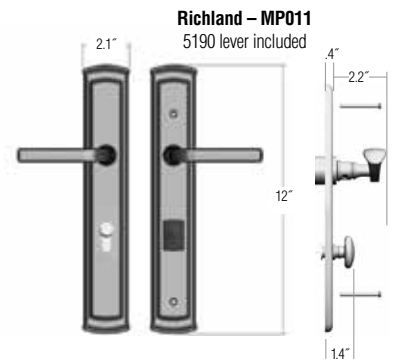
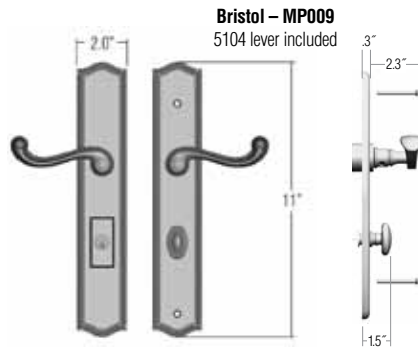
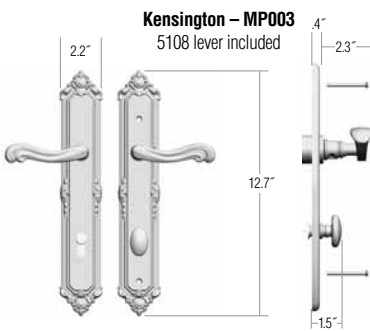
Pick your European Mortise trim

Dimensional Drawings

Tier 1



Tier 2



Choose your Door Configuration

#7

European Mortise Cylinder — 72mm center to center

#8

European Mortise Cylinder — 85mm center to center

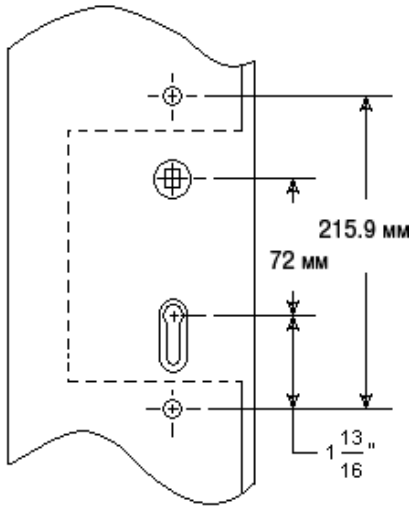


Choose function

European Mortise Hardware -
Set includes Plates, Handles and Cylinders (where applicable)

#7

European Mortise Cylinder — 72mm center to center
215.9 mm center to center mounting hole location



Bismark, Boulder, Cody, Concord, Lakeshore, Springfield

030, 031, 033
034, 038, 040
050, 060, 102
112, 150, 151
190, 260, 264

003, 055
056, 402
412, 452

WITHOUT LEVERS

030, 031, 033
034, 038, 040
050, 060, 102
112, 150, 151
190, 260, 264

003, 055
056, 402
412, 452

030, 031, 033
034, 038, 040
050, 060, 102
112, 150, 151
190, 260, 264

Entrance Mortise Cylinder European Mortise

ACT7 Entry - Keyed W/ Turnknob

\$550

625

405

460

Passage European Mortise

FDP7 Passage - Active No Cylinder Or Turnknob

450

525

305

360

Full Inactive European Mortise

FD7 Inactive - Non-keyed

450

525

305

360

Patio European Mortise

PAT7 Patio - Non-keyed

450

525

305

360

Escutcheons ONLY

KN17 KN, Cut for Knob Inside

\$190

220

KN1R7 KN, Cut for Knob Inside - Rigid Lever

190

220

KN07 KN, Cut for Knob Outside

190

220

KNOR7 KN, Cut for Knob Outside - Rigid Lever

190

220

KC7 KC, Cut for Cylinder Outside - Pro C1

210

240

KCT7 KC, Cut for Cylinder Inside - Pro C1

210

240

Kensington, Bristol, Richland

030, 031, 033
034, 038, 040
050, 060, 102
112, 150, 151
190, 260, 264

003, 055
056, 402
412, 452

WITHOUT LEVERS

030, 031, 033
034, 038, 040
050, 060, 102
112, 150, 151
190, 260, 264

003, 055
056, 402
412, 452

030, 031, 033
034, 038, 040
050, 060, 102
112, 150, 151
190, 260, 264

Entrance Mortise Cylinder European Mortise

ACT7 Entry - Keyed W/ Turnknob

\$600

675

455

510

Passage European Mortise

FDP7 Passage - Active No Cylinder Or Turnknob

500

575

355

410

Full Inactive European Mortise

FD7 Inactive - Non-keyed

500

575

355

410

Patio European Mortise

PAT7 Patio - Non-keyed

500

575

355

410

Escutcheons ONLY

KN17 KN, Cut for Knob Inside

\$210

240

KN1R7 KN, Cut for Knob Inside - Rigid Lever

210

240

KN07 KN, Cut for Knob Outside

210

240

KNOR7 KN, Cut for Knob Outside - Rigid Lever

210

240

KC7 KC, Cut for Cylinder Outside - Pro C1

230

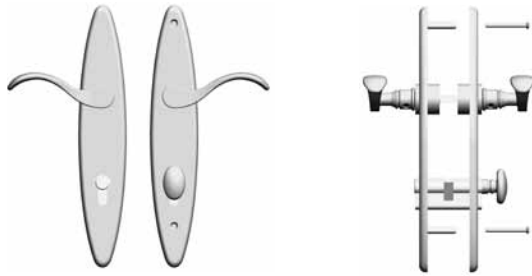
260

KCT7 KC, Cut for Cylinder Inside - Pro C1

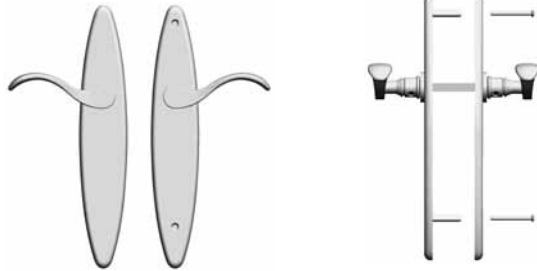
230

260

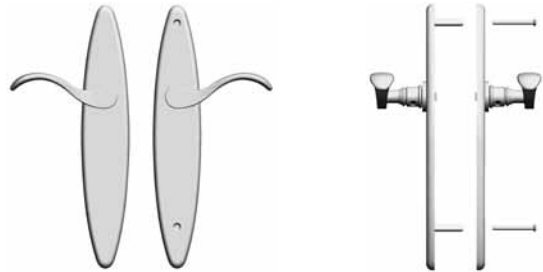
ACT7 – Entrance Mortise Cylinder



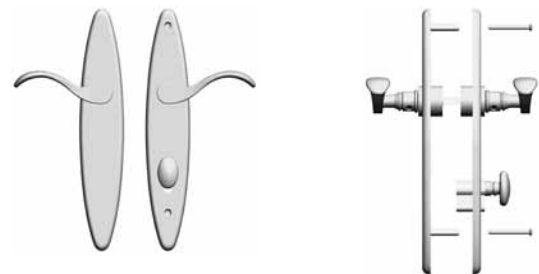
FDP7 – Passage



FD7 – Full Inactive



PAT7 – Patio



Thick Door Kits

Baldwin European Mortise trims assume 1.75" door thickness. For thicker doors, please order a Thick Door kit according to the chart below.

Specify cylinder finish where noted.

Available cylinder finishes include ONLY 264 (Satin Chrome), 040 (Satin Brass) and 112 (Venetian Bronze).

See finish chart on page 194 for cylinder finish recommendations.

ACT1	1 3/4"	2"	2 1/4"	2 3/8"	2 1/2"	2 3/4"	List Price
All others	MP000.xxx.ACTD	MP000.xxx.ACTD	MP000.xxx.ACTE	MP000.xxx.ACTF	MP000.xxx.ACTG	MP000.xxx.ACTG	\$120
Bismark, Kensington, Lakeshore	MP000.xxx.ACTD	MP000.xxx.ACTE	MP000.xxx.ACTE	MP000.xxx.ACTF	MP000.xxx.ACTG	MP000.xxx.ACTI	\$120
PAT1	1 3/4"	2"	2 1/4"	2 3/8"	2 1/2"	2 3/4"	
All others	MP000.xxx.PATJ	MP000.xxx.PATJ	MP000.xxx.PATK	MP000.xxx.PATL	MP000.xxx.PATM	MP000.xxx.PATM	\$120
Bismark, Kensington, Lakeshore	MP000.xxx.PATJ	MP000.xxx.PATK	MP000.xxx.PATK	MP000.xxx.PATL	MP000.xxx.PATM	MP000.xxx.PATO	\$120
FD Sets	1 3/4" to 2 1/4"			2 3/8" to 2 3/4"			
	MP000.000.FDPTP			MP000.000.FDPTQ			\$25
FDP Sets	1 3/4" to 2 1/4"			2 3/8" to 2 3/4"			
	MP000.000.FDPTP			MP000.000.FDPTQ			\$25

Included w/ standard sets

ACT kits include: 8mm to 7.3mm Conversion Spindle, Keyed Cylinder, and Cylinder Installation Hardware

PAT kits include: 8mm to 7.3mm Conversion Spindle, Patio Cylinder, and Cylinder Installation Hardware

FDPTP kits include: 8mm to 7.3mm Conversion Spindle

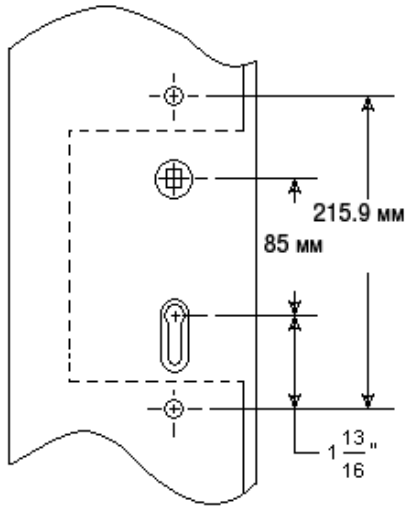


Choose function

European Mortise Hardware -
Set includes Plates, Handles and Cylinders (where applicable)

#8

European Mortise Cylinder — 85mm center to center
215.9 mm center to center mounting hole location



Bismark, Boulder, Cody, Concord, Lakeshore, Springfield

030, 031, 033
034, 038, 040
050, 060, 102
112, 150, 151
190, 260, 264

003, 055
056, 402
412, 452

WITHOUT LEVERS

030, 031, 033
034, 038, 040
050, 060, 102
112, 150, 151
190, 260, 264

003, 055
056, 402
412, 452

030, 031, 033
034, 038, 040
050, 060, 102
112, 150, 151
190, 260, 264

003, 055
056, 402
412, 452

Entrance Mortise Cylinder European Mortise

ACT8 Entry - Keyed W/ Turnknob

\$550

625

405

460

Passage European Mortise

FDP8 Passage - Active No Cylinder Or Turnknob

450

525

305

360

Full Inactive European Mortise

FD8 Inactive - Non-keyed

450

525

305

360

Patio European Mortise

PAT8 Patio - Non-keyed

450

525

305

360

Escutcheons ONLY

KN18 KN, Cut for Knob Inside

\$190

220

KN1R8 KN, Cut for Knob Inside - Rigid Lever

190

220

KNO8 KN, Cut for Knob Outside

190

220

KNOR8 KN, Cut for Knob Outside - Rigid Lever

190

220

KC8 KC, Cut for Cylinder Outside - Pro C1

210

240

KCT8 KC, Cut for Cylinder Inside - Pro C1

210

240

Kensington, Bristol, Richland

030, 031, 033
034, 038, 040
050, 060, 102
112, 150, 151
190, 260, 264

003, 055
056, 402
412, 452

WITHOUT LEVERS

030, 031, 033
034, 038, 040
050, 060, 102
112, 150, 151
190, 260, 264

003, 055
056, 402
412, 452

030, 031, 033
034, 038, 040
050, 060, 102
112, 150, 151
190, 260, 264

003, 055
056, 402
412, 452

Entrance Mortise Cylinder European Mortise

ACT8 Entry - Keyed W/ Turnknob

\$600

675

455

510

Passage European Mortise

FDP8 Passage - Active No Cylinder Or Turnknob

500

575

355

410

Full Inactive European Mortise

FD8 Inactive - Non-keyed

500

575

355

410

Patio European Mortise

PAT8 Patio - Non-keyed

500

575

355

410

Escutcheons ONLY

KN18 KN, Cut for Knob Inside

\$210

240

KN1R8 KN, Cut for Knob Inside - Rigid Lever

210

240

KNO8 KN, Cut for Knob Outside

210

240

KNOR8 KN, Cut for Knob Outside - Rigid Lever

210

240

KC8 KC, Cut for Cylinder Outside - Pro C1

230

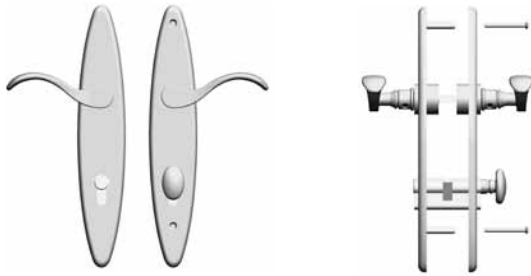
260

KCT8 KC, Cut for Cylinder Inside - Pro C1

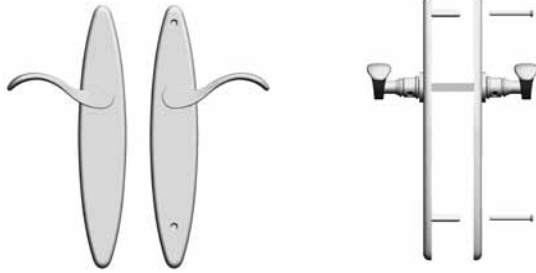
230

260

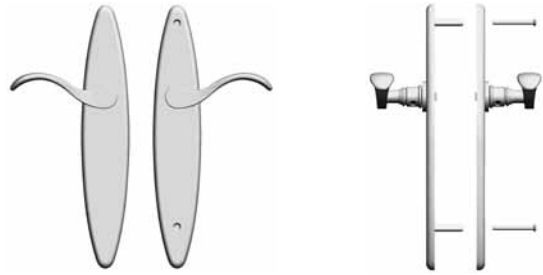
ACT8 – Entrance Mortise Cylinder



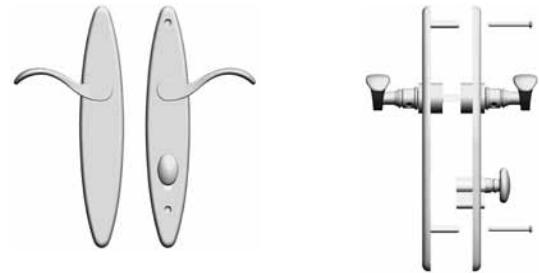
FDP8 – Passage



FD8 – Full Inactive



PAT8 – Patio



Thick Door Kits

Baldwin European Mortise trims assume 1.75" door thickness. For thicker doors, please order a Thick Door kit according to the chart below. Specify cylinder finish where noted. Available cylinder finishes include ONLY 264 (Satin Chrome), 040 (Satin Brass) and 112 (Venetian Bronze). See finish chart on page 194 for cylinder finish recommendations.

ACT1	1 3/4"	2"	2 1/4"	2 3/8"	2 1/2"	2 3/4"	List Price
All others	MP000.xxx.ACTD	MP000.xxx.ACTD	MP000.xxx.ACTE	MP000.xxx.ACTF	MP000.xxx.ACTG	MP000.xxx.ACTG	\$120
Bismark, Kensington, Lakeshore	MP000.xxx.ACTD	MP000.xxx.ACTE	MP000.xxx.ACTE	MP000.xxx.ACTF	MP000.xxx.ACTG	MP000.xxx.ACTI	\$120
PAT1	1 3/4"	2"	2 1/4"	2 3/8"	2 1/2"	2 3/4"	
All others	MP000.xxx.PATJ	MP000.xxx.PATJ	MP000.xxx.PATK	MP000.xxx.PATL	MP000.xxx.PATM	MP000.xxx.PATM	\$25
Bismark, Kensington, Lakeshore	MP000.xxx.PATJ	MP000.xxx.PATK	MP000.xxx.PATK	MP000.xxx.PATL	MP000.xxx.PATM	MP000.xxx.PATO	\$25
FD Sets	1 3/4" to 2 1/4"			2 3/8" to 2 3/4"			
	MP000.000.FDPTP			MP000.000.FDPTQ			\$25
FDP Sets	1 3/4" to 2 1/4"			2 3/8" to 2 3/4"			
	MP000.000.FDPTP			MP000.000.FDPTQ			\$25

Included w/ standard sets

ACT kits include: 8mm to 7.3mm Conversion Spindle, Keyed Cylinder, and Cylinder Installation Hardware
 PAT kits include: 8mm to 7.3mm Conversion Spindle, Patio Cylinder, and Cylinder Installation Hardware
 FDPTP kits include: 8mm to 7.3mm Conversion Spindle

