

BALDWIN®

MULTI-POINT

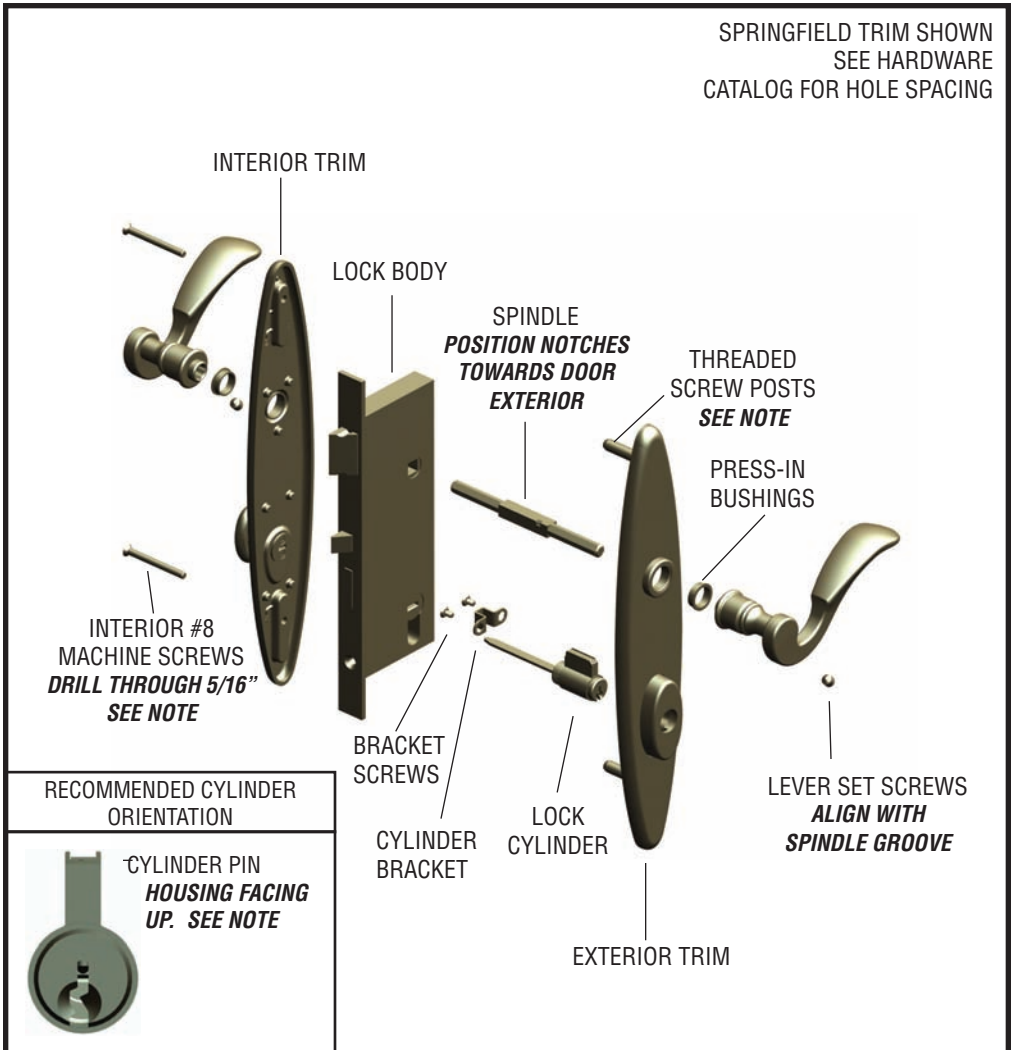
INSTALLATION INSTRUCTIONS

Entrance American

Cylinder Function

Exploded View

SPRINGFIELD TRIM SHOWN
SEE HARDWARE
CATALOG FOR HOLE SPACING



Lock Cylinder Note: Shown is the lever on the top of the lock cylinder. The lever may be on the bottom, depending on the lock.

#8 Machine Screws Note: Proper trim alignment requires installing the spindle and levers before completely securing the #8 screws.

Threaded Screw Posts Note: Length may need to be cut down to accommodate different door manufacturers' hole pattern.

BALDWIN®

MULTI-POINT

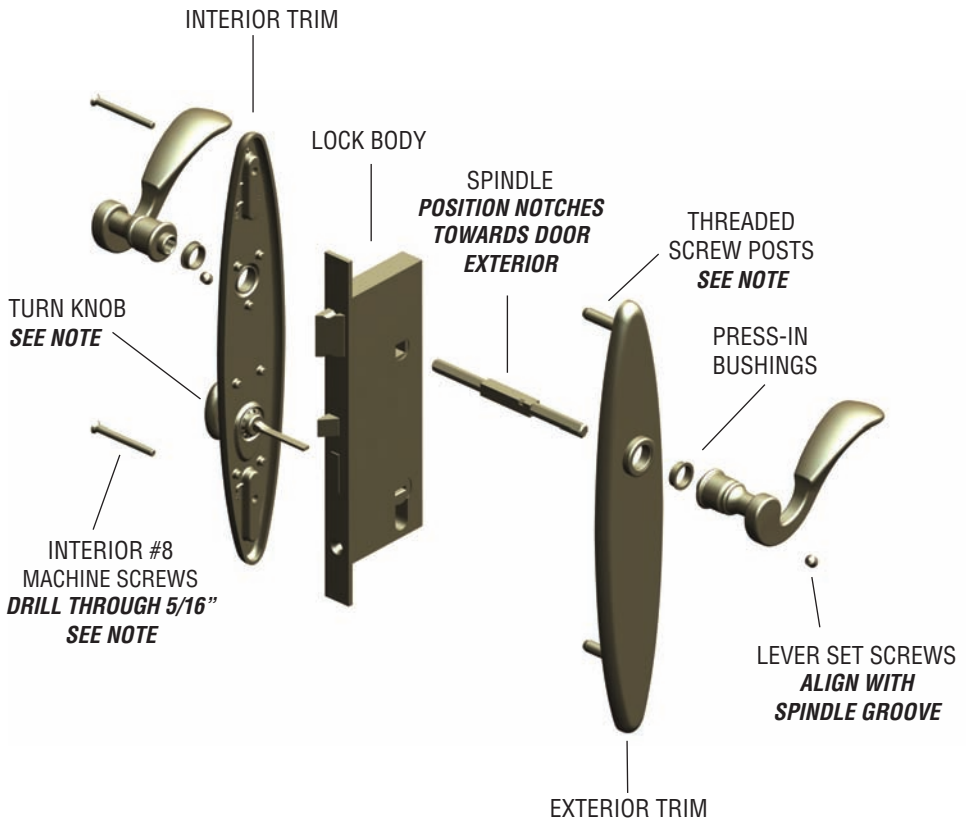
INSTALLATION INSTRUCTIONS

Patio American

Cylinder Function

Exploded View

SPRINGFIELD TRIM SHOWN
SEE HARDWARE
CATALOG FOR HOLE SPACING



Turn Knob Note: Shown is the lever on the top of the turn knob. The lever may be on the bottom, depending on the lock.

#8 Machine Screws Note: Proper trim alignment requires installing the spindle and levers before completely securing the #8 screws.

Threaded Screw Posts Note: Length may need to be cut down to accommodate different door manufacturers' hole pattern.