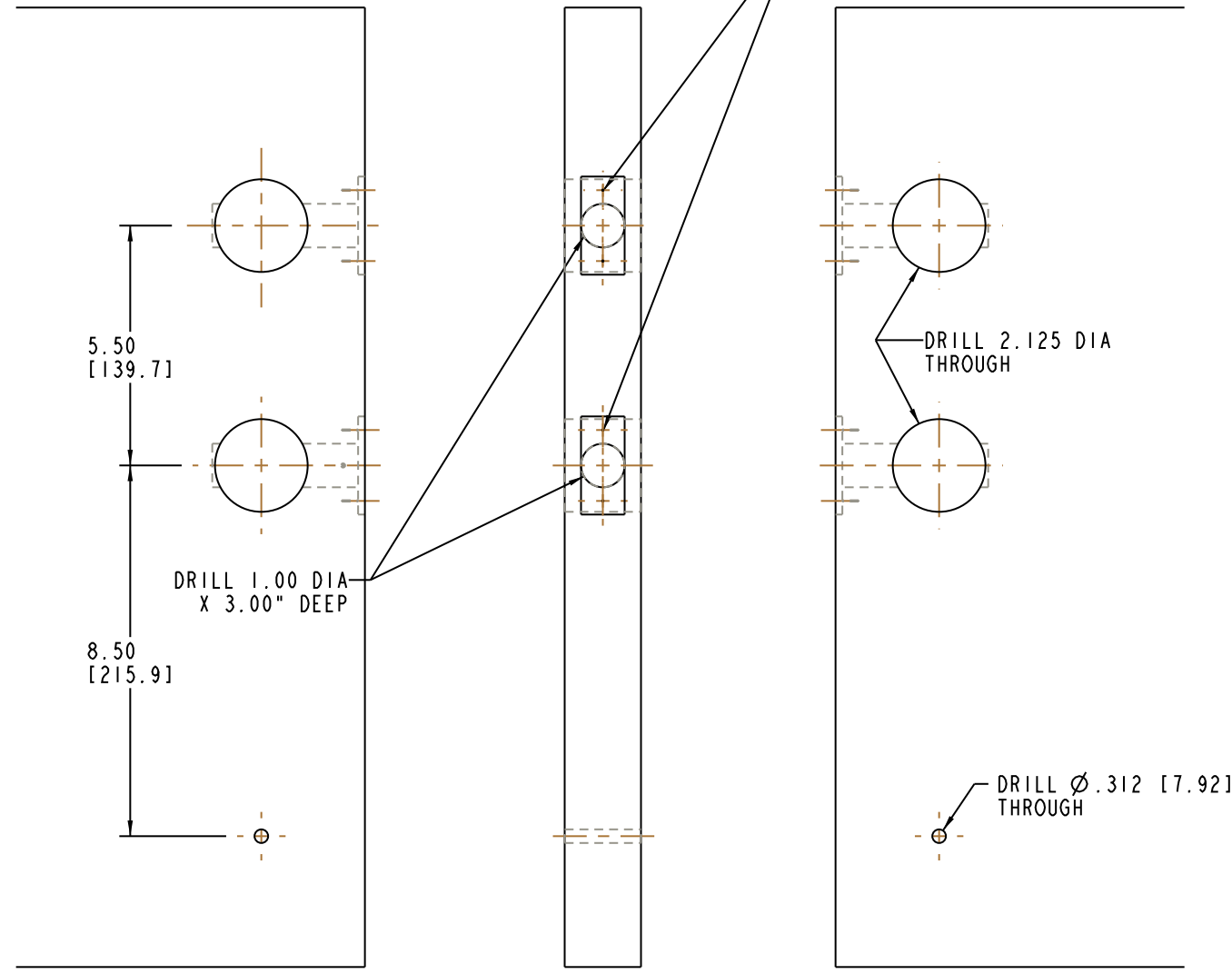


DOOR DETAIL

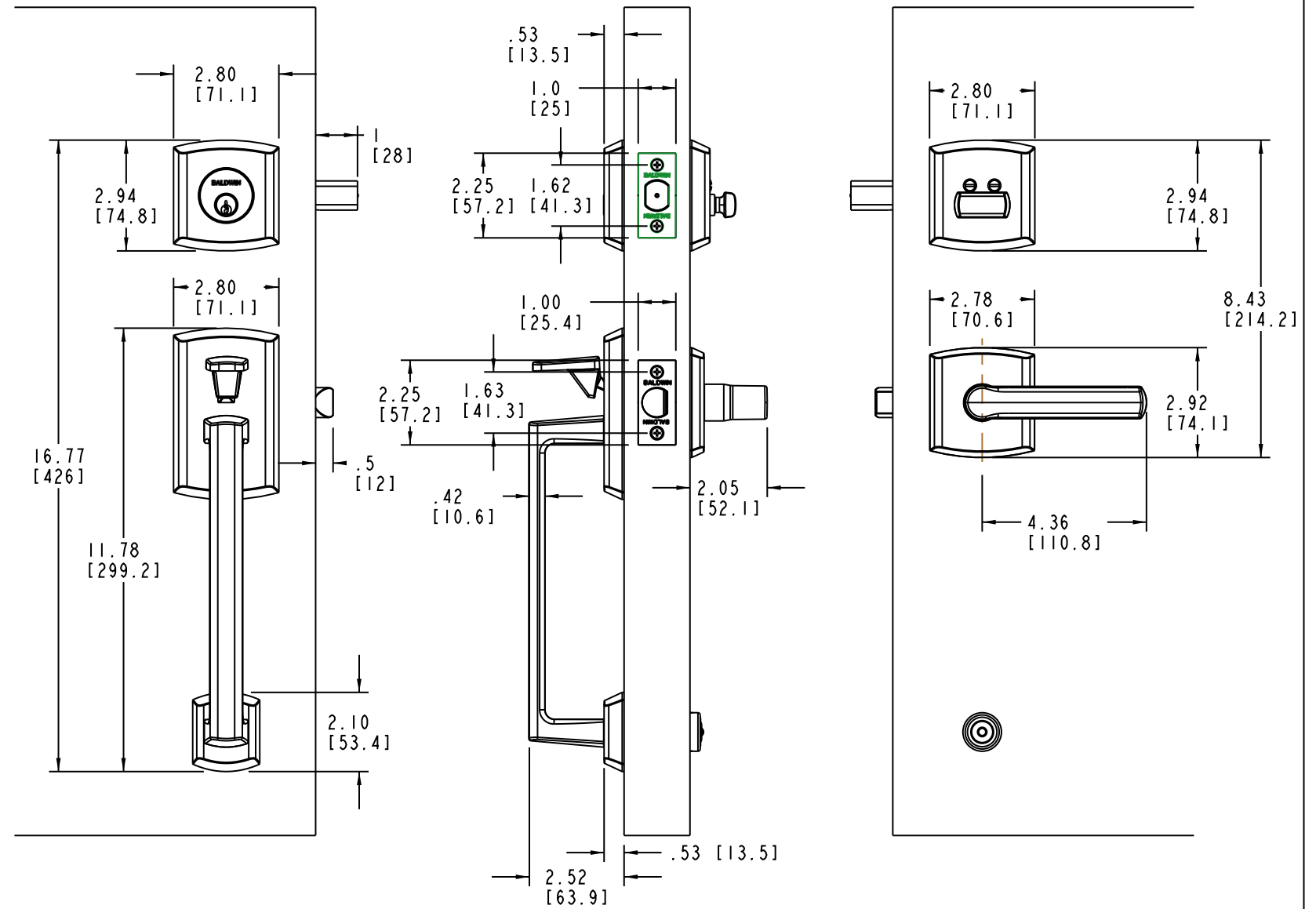
DRILL FOR 8 X 8-32 FL PH COMBINATION SCREWS X .750 LONG (2-REQUIRED)



OUTSIDE

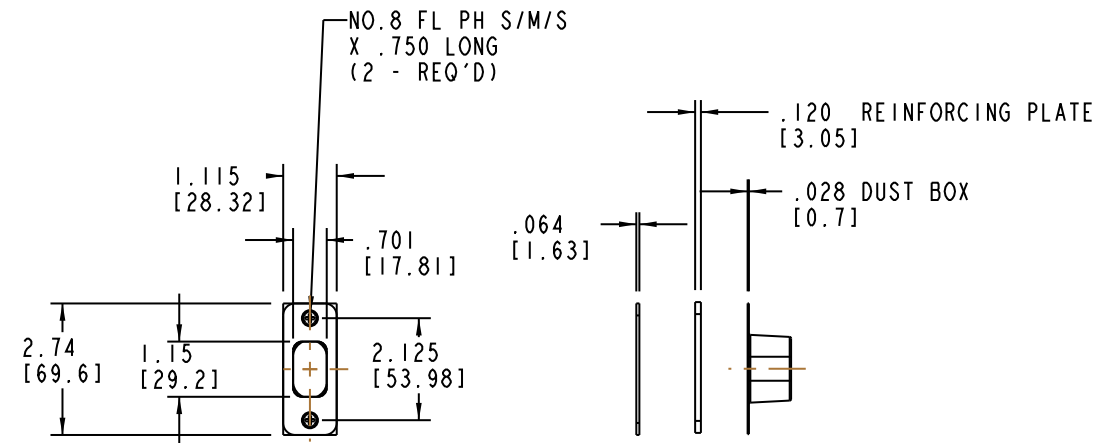
TRIM DETAIL
RIGHT HAND ILLUSTRATED

INSIDE

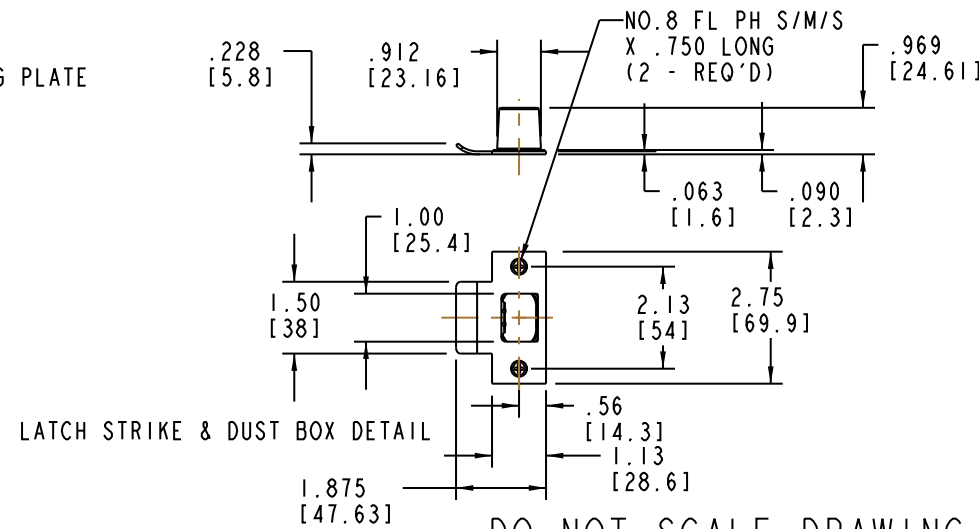


OUTSIDE

INSIDE



DEADBOLT STRIKE, REINFORCEMENT PLATE & DUST BOX DETAIL



LATCH STRIKE & DUST BOX DETAIL

DO NOT SCALE DRAWING

BALDWIN HARDWARE CORPORATION
READING, PENNSYLVANIA

BLACK & DECKER COMPANY

85386 SOHO TRIM

TEMPLATE: NO VARIATIONS

TEMPLATE NO.

© 2006 BY BALDWIN HARDWARE CORPORATION

IM386

EFFECTIVE: 05/12/2008