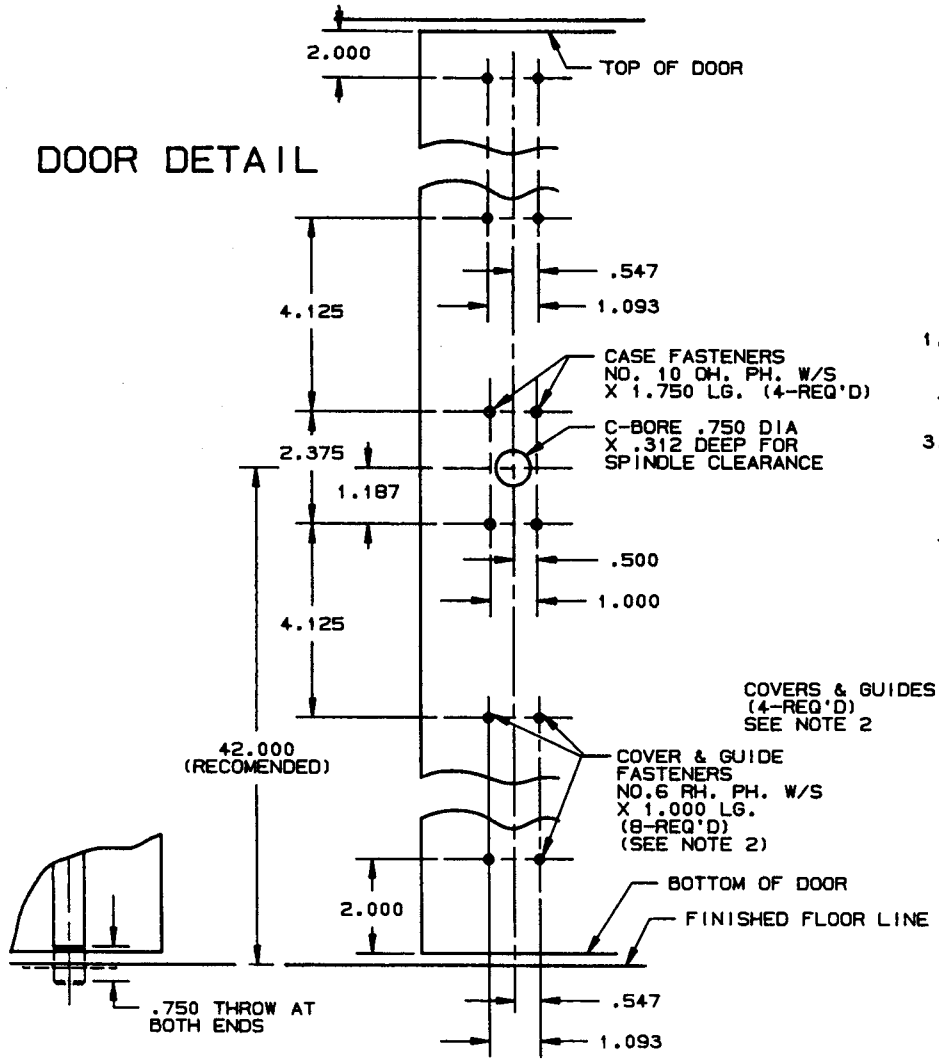
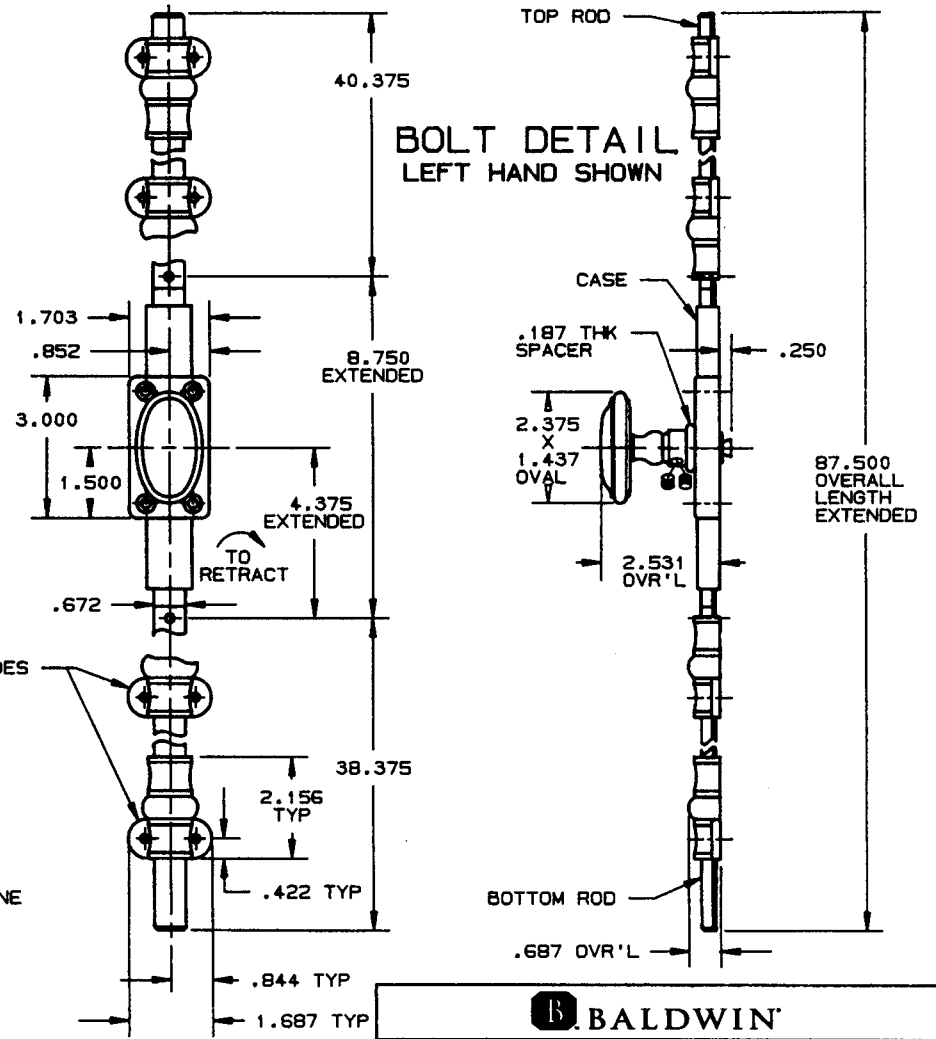


DOOR DETAIL



BOLT DETAIL LEFT HAND SHOWN



NOTES:

- 1.) FOR STRIKE DETAILS REFER TO TEMPLATE NUMBERS A126, A129, AND A131.
- 2.) SUPPLIED WITH 4 DECORATIVE GUIDE COVERS.

DO NOT SCALE DRAWING



8106- $\frac{1}{R}$ 7' CREMONE BOLT

TEMPLATE NO. VARIATIONS

TEMPLATE NO.

J103

EFFECTIVE 1-31-91 (2A) 4