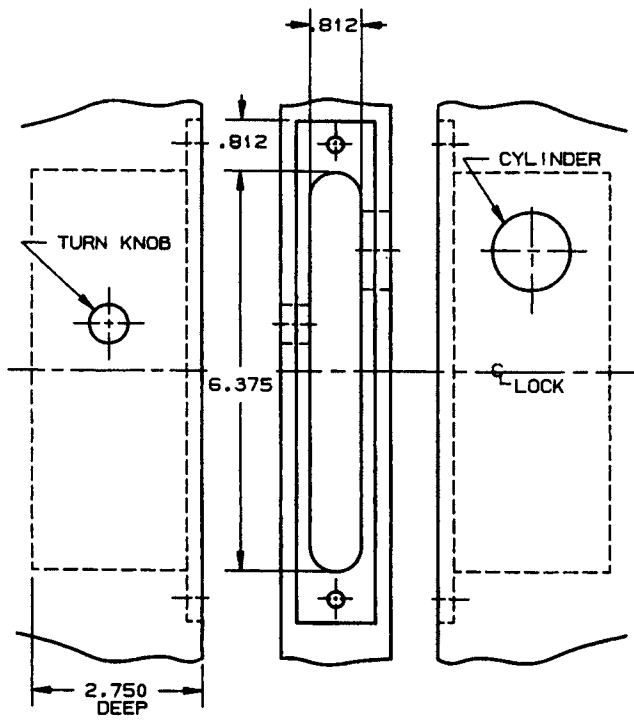


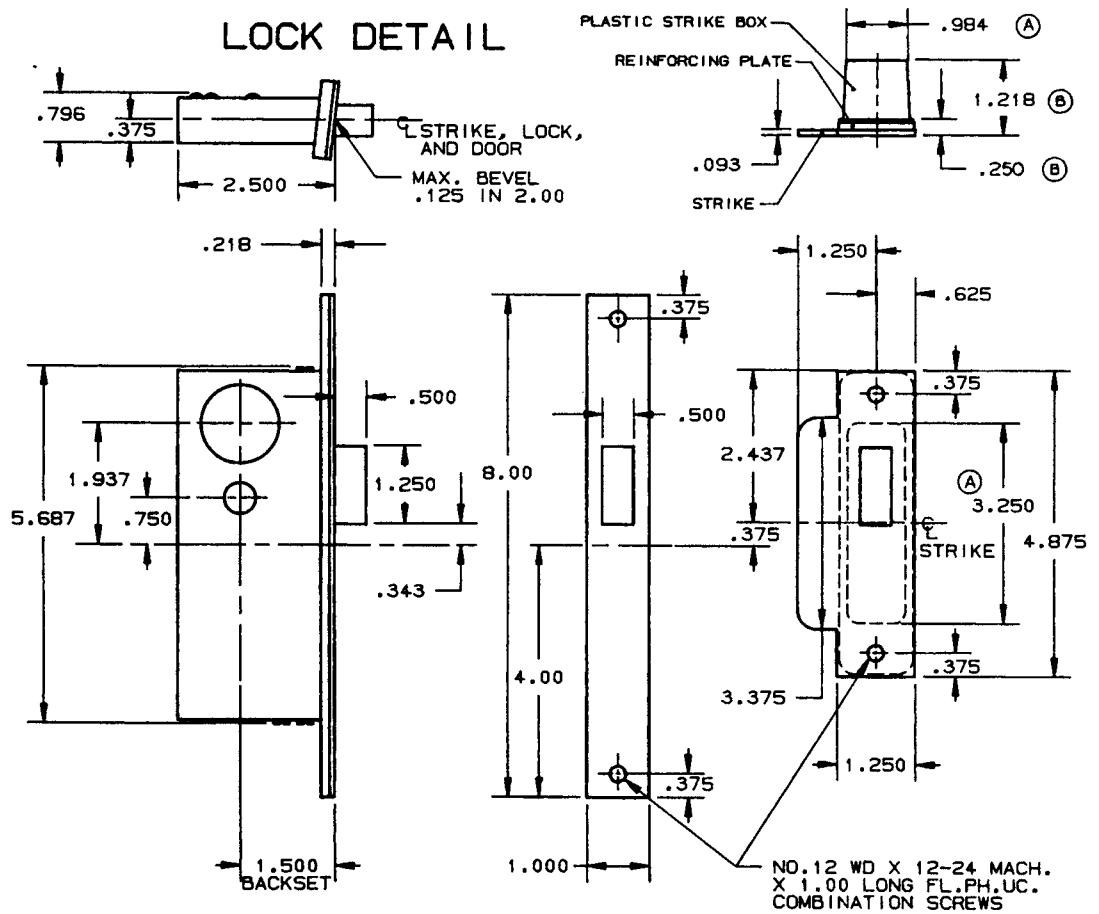
DOOR DETAIL



INSIDE

OUTSIDE

LOCK DETAIL



- NOTE:
- SEE SPECIFIC TRIM TEMPLATE FOR ADDITIONAL DOOR CUTOUT DETAILS.
 - DISCARD REINFORCING PLATE WHEN INSTALLING ON METAL DOORS & JAMBS.

DO NOT SCALE DRAWING

BALDWIN	
6860 TURNPIECE-CYLINDER	
TEMPLATE NO. VARIATIONS	TEMPLATE NO.
	H860-B

EFFECTIVE 1-31-91