

# Images® Keyed Entry Locksets



Inside

Outside

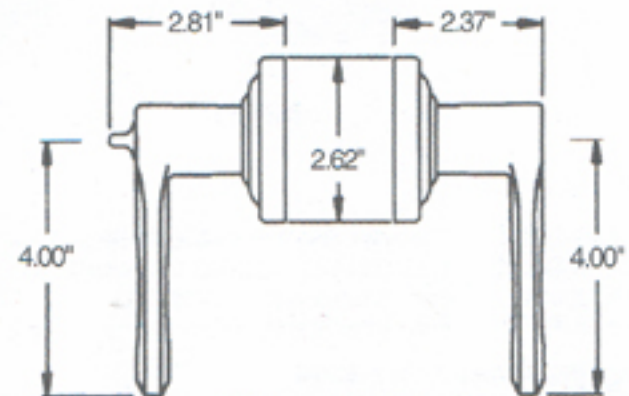
## 5245

5245.XXX.LENT	Entrance Set-Adjustable Backset	2.15 lbs. (.98kg)
5245.XXX.RENT	Entrance Set-Adjustable Backset	2.15 lbs. (.98kg)
5245.XXX.FD	Full Dummy Set	1.95 lbs. (.89kg)

**Keying:** Solid brass 6 pin cylinder, keyed 5 pin.

**Visual Package:** When ordering, prefix product number with number "9." Ex: 95245.003.LENT

**Contractor Package:** When ordering, use product numbers listed above.



*New Adjustable Backset*



Inside

Outside

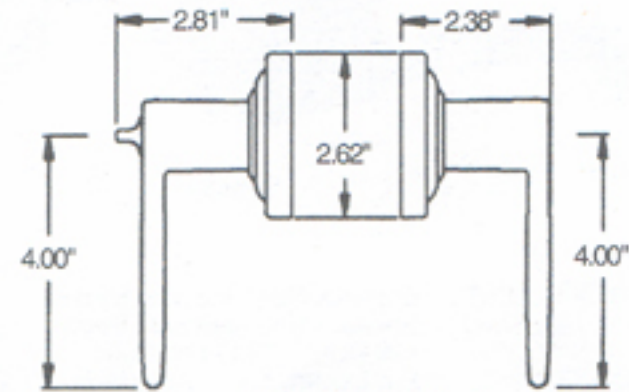
## 5250

5250.XXX.LENT	Entrance Set-Adjustable Backset	2.15 lbs. (.98kg)
5250.XXX.RENT	Entrance Set-Adjustable Backset	2.15 lbs. (.98kg)
5250.XXX.FD	Full Dummy Set	1.90 lbs. (.89kg)

**Keying:** Solid brass 6 pin cylinder, keyed 5 pin.

**Visual Package:** When ordering, prefix product number with number "9." Ex: 95250.003.LENT

**Contractor Package:** When ordering, use product numbers listed above.



*New Adjustable Backset*



Inside

Outside

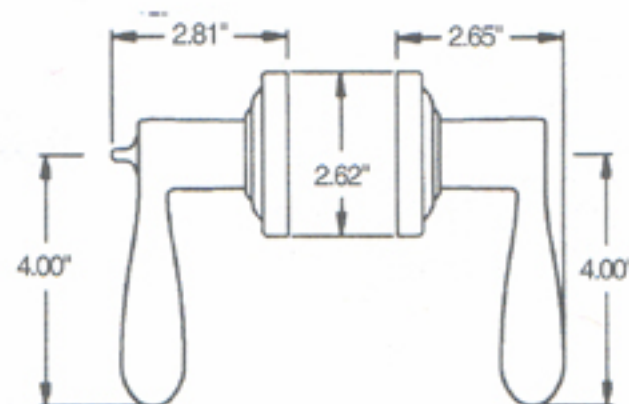
## 5255

5255.XXX.LENT	Entrance Set-Adjustable Backset	2.80 lbs. (1.27kg)
5255.XXX.RENT	Entrance Set-Adjustable Backset	2.80 lbs. (1.27kg)
5255.XXX.FD	Full Dummy Set	2.00 lbs. (.91kg)

**Keying:** Solid brass 6 pin cylinder, keyed 5 pin.

**Visual Package:** When ordering, prefix product number with number "9." Ex: 95255.003.LENT

**Contractor Package:** When ordering, use product numbers listed above.



*New Adjustable Backset*

**STRIKE:** Full lip strike supplied standard for latch.

**ORDERING INSTRUCTIONS:** Substitute finish designation XXX in product number (Consult price list and ordering instructions on page 41 for details).

**PACKAGING:** All Images latchsets are available in Visual or Contractor Package. Visual Packages are available in six (6) complete sets per case. Contractor Packages are available in twelve (12) complete sets per case.