

5088 NASHVILLE KNOB WITH 5070 ROSE - PASSAGE



QUICK

ESTATE PORTFOLIO

Model Number:
5088.260.PASS

SEE BELOW FOR ADDITIONAL FUNCTIONS

Key Features

- ✓ Designed for interior doors that require a latch closure.
- ✓ Compatible with 1-3/8" and 1-3/4" thick doors.
- ✓ Passage sets include everything needed to complete your installation in one box—a 2-3/8" and 2-3/4" adjustable backset latch, full lip strike, t-strike, universal dust box, and pre-bore adaptor.
- ✓ Crafted exclusively by Baldwin.



FINISHES OPTIONS



Lifetime
(PVD)
Satin
Nickel -
056



Lifetime
(PVD)
Graphite
Nickel -
076



Lifetime
(PVD)
Polished
Nickel -
055



**Polished
Chrome -
260**



Lifetime
(PVD)
Polished
Brass -
003



Lifetime
(PVD)
Satin
Brass -
044



Satin
Black -
190



Oil
Rubbed
Bronze -
102



Venetian
Bronze -
112



Non-
lacquered
Brass -
031

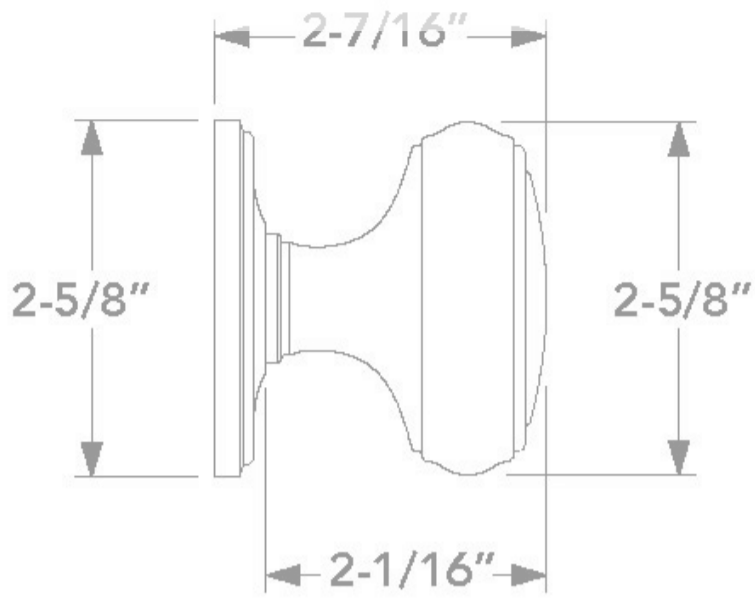


Vintage
Brass -
033

all measurements in inches

SPECIFICATIONS

STYLE	<i>Traditional</i>
LOCK FUNCTION	<i>Passage</i>
BACKSET SIZE	<i>Adjustable</i>
KNOB DIAMETER	<i>2-5/8</i>
PROJECTION	<i>2-7/16</i>
PARTIAL MODEL	<i>5088.260.PASS</i>



18761 Da Vinci · Lake Forest · California · 82810 · 1.800.566.1986 · BaldwinHardware.com · 613883S