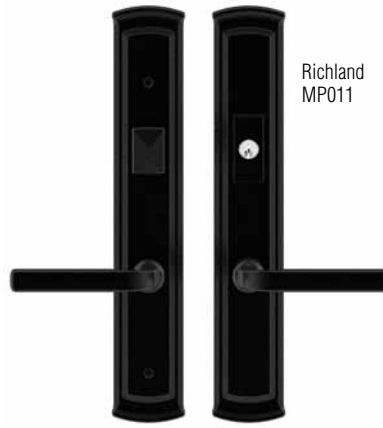




Bristol  
MP009



Richland  
MP011



Lakeshore – MP013



Springfield – MP001



Bismark – MP002



Boulder – MP016



Cody – MP015



Concord – MP004



Kensington – MP003



Watch for this icon as your quick guide to coordinating Baldwin lock hardware throughout your home. Your favorite Baldwin styles are now available in Mortise for entrance needs, Tubular for entrance/interiors, AND Multi-Point for patio doors!

## PROFILE CYLINDERS

RECOMMENDED FINISHES	ORIGINAL FINISHES
040	003, 030, 031, 033, 034, 060, 040, 050, 038
112	412, 102, 190, 402, 112
264	055, 056, 150, 151, 260, 264, 452

## AMERICAN CYLINDERS

RECOMMENDED FINISHES	ORIGINAL FINISHES
040	003, 030, 031, 033, 034, 038, 040, 050, 060, 102, 112, 190, 402, 412,
264	055, 056, 150, 151, 260, 264, 452

- > Fits 92 and 105 mm cylinder to lever C.T.C.
- > Estate Collection finish options to suit any home.
- > Profile or American Cylinder.
- > Available as complete sets, minus lever sets, or choose your own lever style to build a set.
- > Easy installation with one-box shipping and cylinder/hardware for 1.75" thick door.
- > Through-bolt mounting.
- > Thick door kits available.
- > All Profile and American cylinders are field keyable to Baldwin keyway.
- > 112 finish now available for all Profile cylinders



# HOW TO ORDER

## 1. Pick Your Multi-Point Trim (left):

- MP001 – Springfield Multi-Point Trim
- MP002 – Bismark Multi-Point Trim
- MP003 – Kensington Multi-Point Trim
- MP004 – Concord Multi-Point Trim
- MP009 – Bristol Multi-Point Trim
- MP011 – Richland Multi-Point Trim
- MP013 – Lakeshore Multi-Point Trim
- MP015 – Cody Multi-Point Trim
- MP016 – Boulder Multi-Point Trim

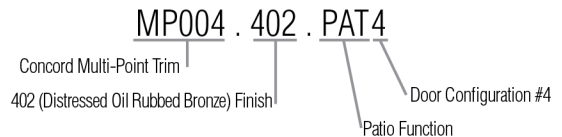
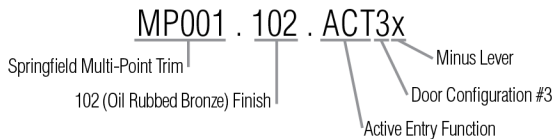
## 2. Pick Your Function:

- ACT – Entry, keyed w/ turnknob (supplied w/ cylinder for 1 3/4" door thickness)
- FDP – Passage, active, no cylinder or turnknob
- AIN – Inactive outside and active inside- non-keyed
- FD – Inactive, non-keyed
- PAT – Patio, non-keyed

## 3. Specify minus lever option, if desired:

Add "x" to suffix for minus lever option. Otherwise trim ships with stock lever choice as shown.

### Examples:



## 4. If a lever other than the standard is desired:

Order a trim without levers and order levers separately.

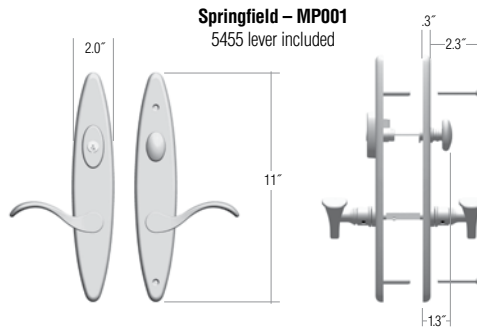
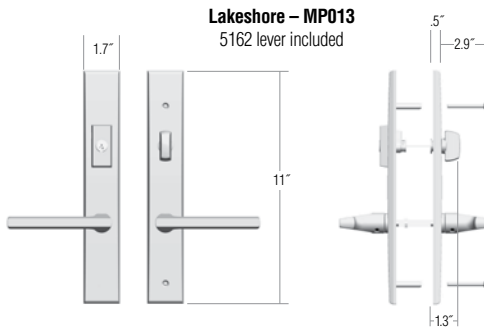
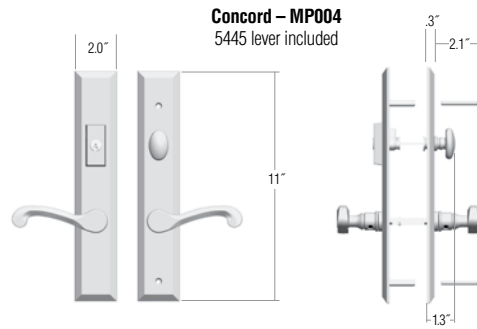
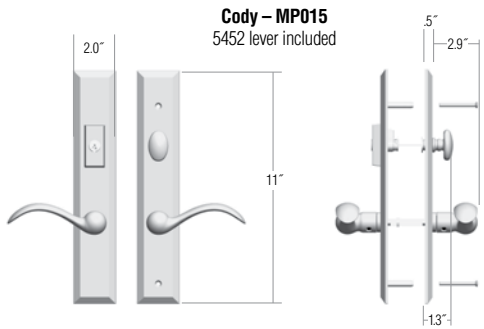
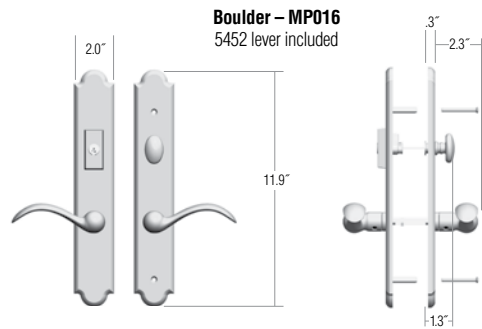
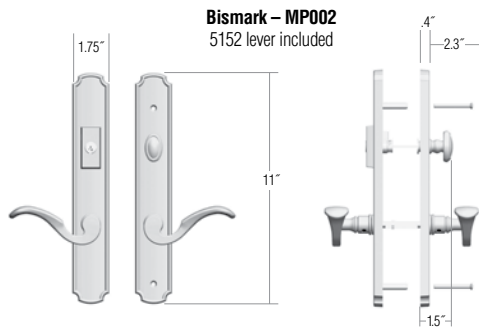
## 5. If split finish, order escutcheons, levers, and corresponding thick door kits separately



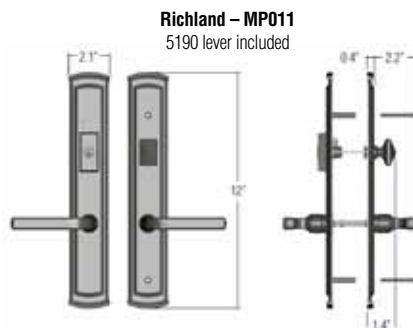
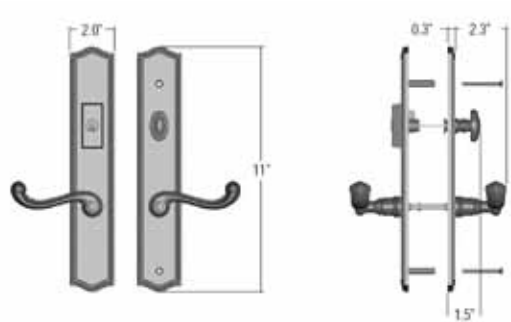
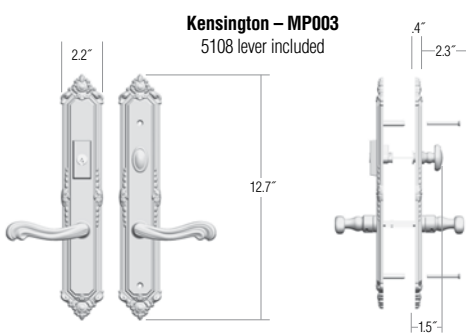
# Pick your multi-point trim

Dimensional Drawings  
American Cylinder Above Handle shown

## Tier 1



## Tier 2



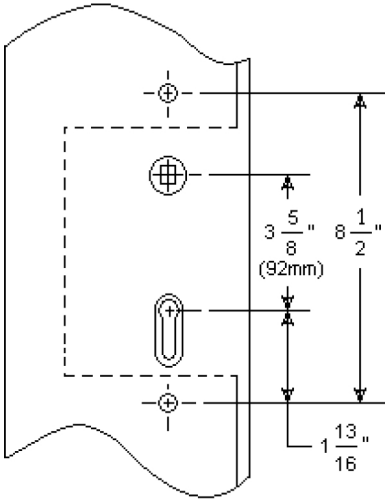
# Choose function

Swinging Patio Door Hardware -  
Set includes Plates, Handles and Cylinders (where applicable)

#1

Profile Cylinder Below Handle — 3-5/8" (92 mm) center to center  
8-1/2" center to center mounting hole location

G-U,<sup>®</sup> Hoppe,<sup>®</sup> Hurd,<sup>®</sup> JELD-WEN,<sup>®</sup> Kolbe & Kolbe,<sup>®</sup> Lincoln,<sup>®</sup> Loewen,<sup>®</sup> Norco,<sup>®</sup> Peachtree,<sup>®</sup> Pozzi,<sup>®</sup> Semco,<sup>®</sup> Vetter,<sup>®</sup> Weathershield,<sup>®</sup> Therma-Tru<sup>®</sup>



**Bismark, Boulder, Cody, Concord, Lakeshore, Springfield**

030, 031, 033  
034, 038, 040  
050, 060, 102  
112, 150, 151  
190, 260, 264

003, 055  
056, 402  
412, 452

**WITHOUT LEVERS**

030, 031, 033  
034, 038, 040  
050, 060, 102  
112, 150, 151  
190, 260, 264

030, 031, 033  
034, 038, 040  
050, 060, 102  
112, 150, 151  
190, 260, 264

**Entrance Profile Cylinder Multi-point**

ACT1 Entry - Keyed W/ Turnknob \$550 625

**Passage Multi-point**

FDP1 Passage - Active No Cylinder Or Turnknob 450 525

**Half Inactive / Half Passage Multi-point**

AIN1 Inactive Outside And Active Inside - Non-keyed 450 525

**Full Inactive Multi-point**

FD1 Inactive - Non-keyed 450 525

**Patio Multi-point**

PAT1 Patio - Non-keyed 450 525

**Multi-point, Escutcheons ONLY**

KN1 KN, Cut for Knob Inside \$190 220

KNIR1 KN, Cut for Knob Inside - Rigid Lever 190 220

KNO1 KN, Cut for Knob Outside 190 220

KNOR1 KN, Cut for Knob Outside - Rigid Lever 190 220

KC1 KC, Cut for Cylinder Outside - Pro C1 210 240

KCT1 KC, Cut for Cylinder Inside - Pro C1 210 240

**Kensington, Bristol, Richland**

030, 031, 033  
034, 038, 040  
050, 060, 102  
112, 150, 151  
190, 260, 264

003, 055  
056, 402  
412, 452

**WITHOUT LEVERS**

030, 031, 033  
034, 038, 040  
050, 060, 102  
112, 150, 151  
190, 260, 264

030, 031, 033  
034, 038, 040  
050, 060, 102  
112, 150, 151  
190, 260, 264

**Entrance Profile Cylinder Multi-point**

ACT1 Entry - Keyed W/ Turnknob \$600 675

**Passage Multi-point**

FDP1 Passage - Active No Cylinder Or Turnknob 500 575

**Half Inactive / Half Passage Multi-point**

AIN1 Inactive Outside And Active Inside - Non-keyed 500 575

**Full Inactive Multi-point**

FD1 Inactive - Non-keyed 500 575

**Patio Multi-point**

PAT1 Patio - Non-keyed 500 575

**Multi-point, Escutcheons ONLY**

KN1 KN, Cut for Knob Inside \$210 240

KNIR1 KN, Cut for Knob Inside - Rigid Lever 210 240

KNO1 KN, Cut for Knob Outside 210 240

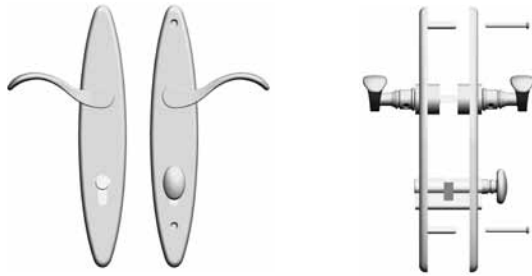
KNOR1 KN, Cut for Knob Outside - Rigid Lever 210 240

KC1 KC, Cut for Cylinder Outside - Pro C1 230 260

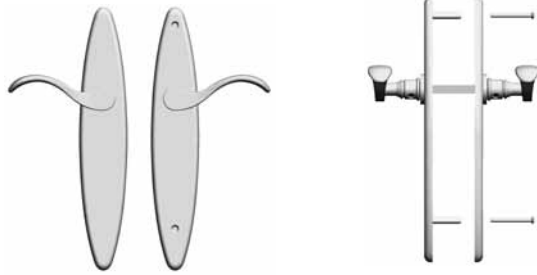
KCT1 KC, Cut for Cylinder Inside - Pro C1 230 260



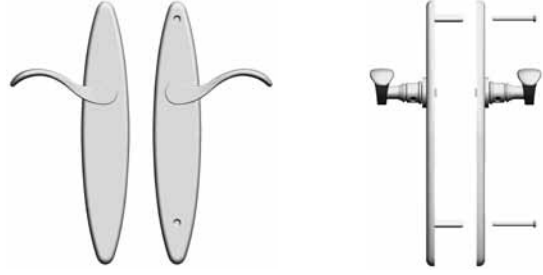
**ACT1 – Entrance Profile Cylinder**



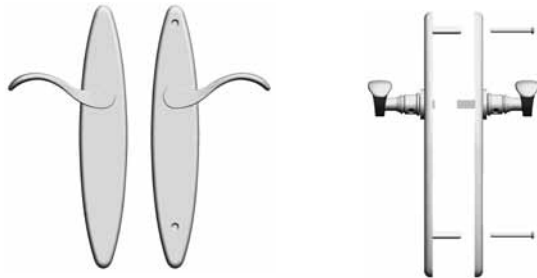
**FDP1 – Passage**



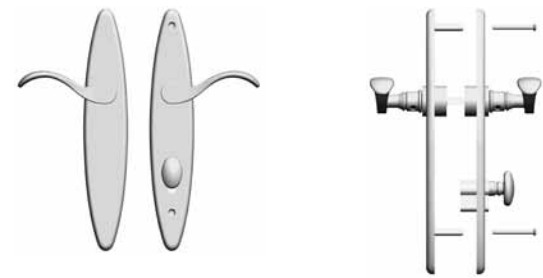
**FD1 – Full Inactive**



**AIN1 – Half Inactive/Half Passage**



**PAT1 – Patio**



**Thick Door Kits**

Baldwin Multi-Point Active & Patio trims assume 1.75" door thickness. For thicker doors, please order a Thick Door kit according to the chart below. Specify cylinder finish where noted. Available cylinder finishes include ONLY 264 (Satin Chrome), 040 (Satin Brass) and 112 (Venetian Bronze). See finish chart on page 176 for cylinder finish recommendations.

<b>ACT1</b>	<b>1 3/4"</b>	<b>2"</b>	<b>2 1/4"</b>	<b>2 3/8"</b>	<b>2 1/2"</b>	<b>2 3/4"</b>	<b>List Price</b>
All others	MP000.xxx.ACTD	MP000.xxx.ACTD	MP000.xxx.ACTE	MP000.xxx.ACTF	MP000.xxx.ACTG	MP000.xxx.ACTG	\$120
Bismark, Kensington, Lakeshore	MP000.xxx.ACTD	MP000.xxx.ACTE	MP000.xxx.ACTE	MP000.xxx.ACTF	MP000.xxx.ACTG	MP000.xxx.ACTI	\$120
<b>PAT1</b>	<b>1 3/4"</b>	<b>2"</b>	<b>2 1/4"</b>	<b>2 3/8"</b>	<b>2 1/2"</b>	<b>2 3/4"</b>	
All others	MP000.xxx.PATJ	MP000.xxx.PATJ	MP000.xxx.PATK	MP000.xxx.PATL	MP000.xxx.PATM	MP000.xxx.PATM	\$25
Bismark, Kensington, Lakeshore	MP000.xxx.PATJ	MP000.xxx.PATK	MP000.xxx.PATK	MP000.xxx.PATL	MP000.xxx.PATM	MP000.xxx.PATO	\$25
<b>AIN Sets</b>	<b>1 3/4" to 2 1/4"</b>			<b>2 3/8" to 2 3/4"</b>			
	MP000.000.AINS			MP000.000.AINT			\$25
<b>FD Sets</b>	<b>1 3/4" to 2 1/4"</b>			<b>2 3/8" to 2 3/4"</b>			
	MP000.000.FDPTP			MP000.000.FDPTQ			\$25
<b>FDP Sets</b>	<b>1 3/4" to 2 1/4"</b>			<b>2 3/8" to 2 3/4"</b>			
	MP000.000.FDPTP			MP000.000.FDPTQ			\$25

**Included w/ standard sets**

ACT kits include: 8mm to 7.3mm Conversion Spindle, Keyed Cylinder, and Cylinder Installation Hardware  
 PAT kits include: 8mm to 7.3mm Conversion Spindle, Patio Cylinder, and Cylinder Installation Hardware  
 AIN kits include: Half spindle, and Spindle Installation Hardware  
 FDPTP kits include: 8mm to 7.3mm Conversion Spindle

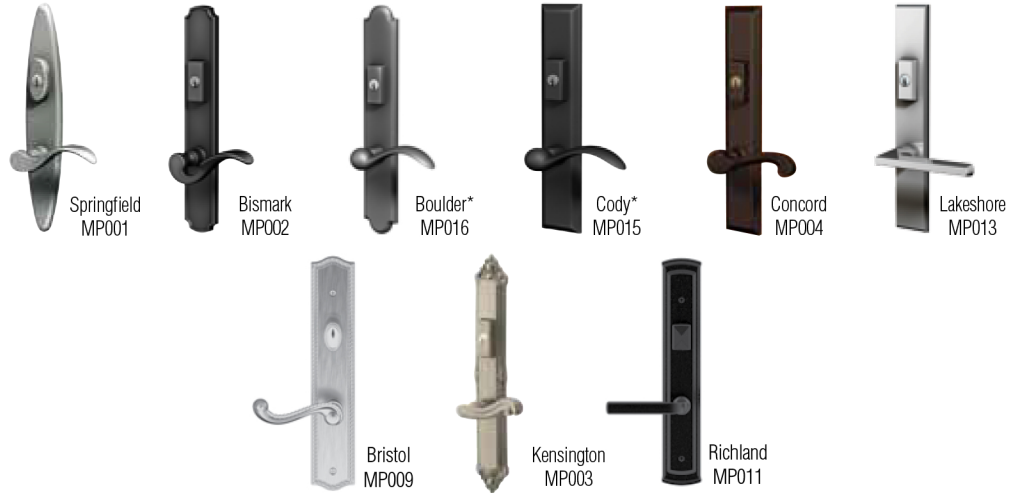
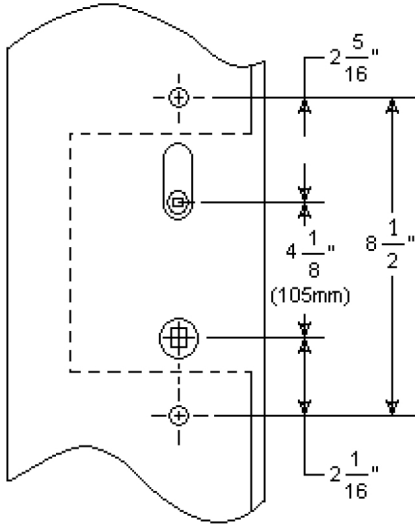


# Choose function

Swinging Patio Door Hardware -  
Set includes Plates, Handles and Cylinders (where applicable)

#2

American Cylinder Above Handle — 4-1/8" (105 mm) center to center  
8-1/2" center to center mounting hole location



**Bismark, Boulder, Cody,  
Concord, Lakeshore, Springfield**

030, 031, 033  
034, 038, 040  
050, 060, 102  
112, 150, 151  
190, 260, 264

003, 055  
056, 402  
412, 452

**WITHOUT LEVERS**

030, 031, 033  
034, 038, 040  
050, 060, 102  
112, 150, 151  
190, 260, 264

030, 031, 033  
034, 038, 040  
050, 060, 102  
112, 150, 151  
190, 260, 264

003, 055  
056, 402  
412, 452

**Entrance American Cylinder Multi-point**

ACT2 Entry - Keyed W/ Turnknob \$575 650

**105 MM Double Door**

FWHAP Double Door Entry - 1 Keyed, 1 Inactive 1025 1100

**Passage Multi-point**

FDP2 Passage - Active No Cylinder Or Turnknob 450 525

**Half Inactive / Half Passage Multi-point**

AIN2 Inactive Outside And Active Inside - Non-keyed 450 525

**Full Inactive Multi-point**

FD2 Inactive - Non-keyed 450 525

**Patio Multi-point**

PAT2 Patio - Non-keyed 450 525

**Multi-point, Escutcheons ONLY**

KN12 KN, Cut for Knob Inside \$190 220

KN1R2 KN, Cut for Knob Inside - Rigid Lever 190 220

KNO2 KN, Cut for Knob Outside 190 220

KNOR2 KN, Cut for Knob Outside - Rigid Lever 190 220

KCA2 KC, Cut for Cylinder Outside - Ande C2 220 250

KTA2 KT, Cut for Turnpiece Inside - Ande C2 210 240

**Kensington, Bristol, Richland**

030, 031, 033  
034, 038, 040  
050, 060, 102  
112, 150, 151  
190, 260, 264

003, 055  
056, 402  
412, 452

**WITHOUT LEVERS**

030, 031, 033  
034, 038, 040  
050, 060, 102  
112, 150, 151  
190, 260, 264

030, 031, 033  
034, 038, 040  
050, 060, 102  
112, 150, 151  
190, 260, 264

003, 055  
056, 402  
412, 452

**Entrance American Cylinder Multi-point**

ACT2 Entry - Keyed W/ Turnknob \$625 700

**Passage Multi-point**

FDP2 Passage - Active No Cylinder Or Turnknob 500 575

**Half Inactive / Half Passage Multi-point**

AIN2 Inactive Outside And Active Inside - Non-keyed 500 575

**Full Inactive Multi-point**

FD2 Inactive - Non-keyed 500 575

**Patio Multi-point**

PAT2 Patio - Non-keyed 500 575

**Multi-point, Escutcheons ONLY**

KN12 KN, Cut for Knob Inside \$210 240

KN1R2 KN, Cut for Knob Inside - Rigid Lever 210 240

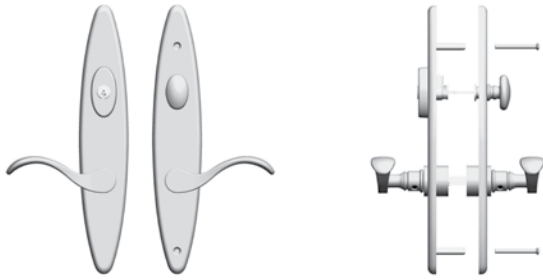
KNO2 KN, Cut for Knob Outside 210 240

KNOR2 KN, Cut for Knob Outside - Rigid Lever 210 240

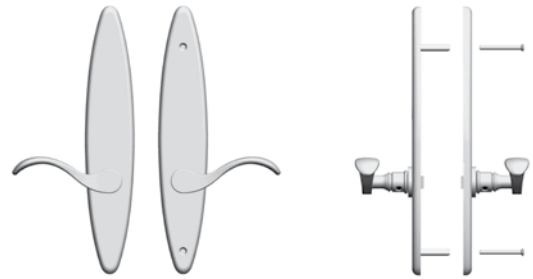
KCA2 KC, Cut for Cylinder Outside - Ande C2 240 270

KTA2 KT, Cut for Turnpiece Inside - Ande C2 230 260

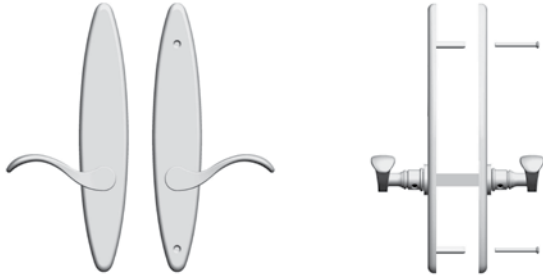
**ACT2 – Entrance American Cylinder**



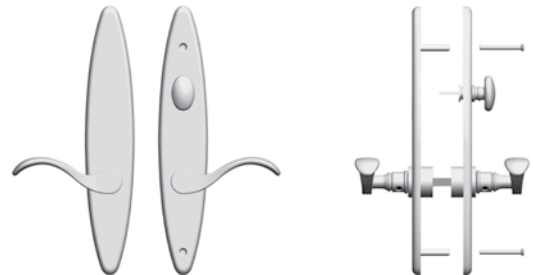
**FD2 – Full Inactive**



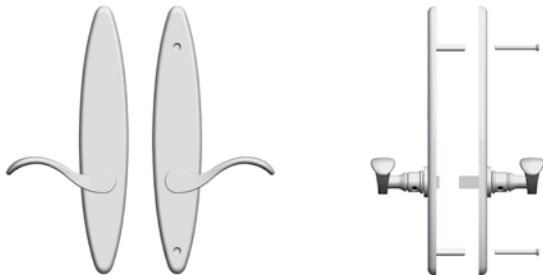
**FDP2 – Passage**



**PAT2 – Patio**



**AIN2 – Half Inactive/Half Passage**



**Thick Door Kits**

Specify cylinder finish where noted.

\*ACT2 - Finish matches trim exactly (any of the 21 Baldwin finishes)

ACT2*	1 3/4"		List Price
	MP000.xxx.ACTR*		\$115
AIN Sets	1.75"		
	MP000.000.AINS		\$25
AIN Sets	2" to 2 1/4"	2 3/8" to 3"	
	MP000.000.AINS	MP000.000.AINT	\$25
FD Sets	1 3/4" to 2 1/4"	2 3/8" to 2 3/4"	
	MP000.000.FDPTP	MP000.000.FDPTQ	\$25
FDP Sets	1 3/4" to 2 1/4"	2 3/8" to 2 3/4"	
	MP000.000.FDPTP	MP000.000.FDPTQ	\$25

ACT kits include: 8mm to 7.3mm Conversion Spindle, Keyed Cylinder, and Cylinder Installation Hardware  
 AIN kits include: Half spindle, and Spindle Installation Hardware  
 FDPTP kits include: 8mm to 7.3mm Conversion Spindle

Included w/ standard sets

**105 MM DOUBLE DOOR**

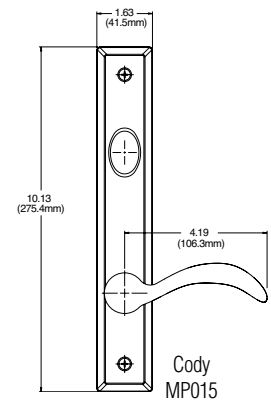
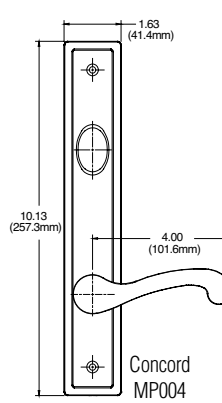
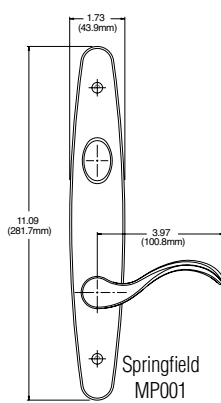
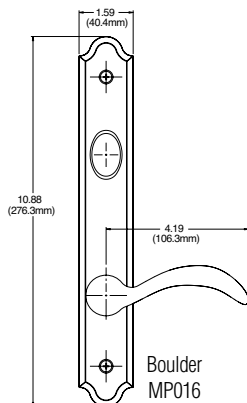
Boulder, Cody, Concord, Springfield	030, 031, 033 034, 038, 040 050, 060, 102 112, 150, 151 190, 260, 264	003, 055 056, 402 412, 452
-------------------------------------	---	----------------------------------

105 mm Double Door		
FWHAP Active & Inactive Set	\$1025	1175
FWHAX Active & Inactive Set w/o Levers	735	845

**Special Notes**

- Boulder, Cody, Concord, Springfield Double Door Applications Only — Due to the special fit requirements of applying these four 105mm CTC styles in a double door application, the modified dimensions shown below apply to these four styles for double door applications only. Please specify function 'FWHAP' or 'FWHAX' to order. Pricing is as shown.
- Due to the width of the escutcheon plates, Bristol, Richland and Kensington are not recommended on double door applications for 105mm CTC configurations.
- The standard Bismark and Lakeshore plates can be used on double door applications for 105mm CTC configurations.

**105MM DOUBLE DOOR DIMENSIONAL DRAWINGS**



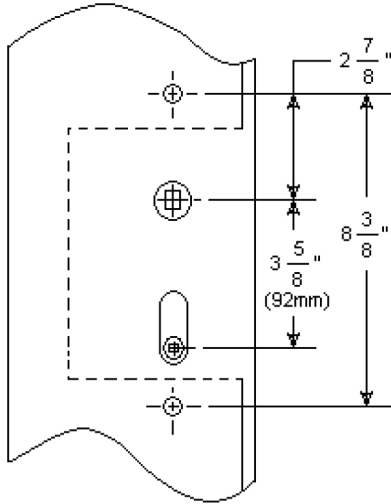
# Choose function

Swinging Patio Door Hardware -  
Set includes Plates, Handles and Cylinders (where applicable)

#3

American Cylinder Below Handle — 3-5/8" (92 mm) center to center  
8-3/8" center to center mounting hole location

Pella®



**Bismark, Boulder, Cody,  
Concord, Lakeshore, Springfield**

030, 031, 033  
034, 038, 040  
050, 060, 102  
112, 150, 151  
190, 260, 264

003, 055  
056, 402  
412, 452

**WITHOUT LEVERS**

030, 031, 033  
034, 038, 040  
050, 060, 102  
112, 150, 151  
190, 260, 264

030, 031, 033  
034, 038, 040  
050, 060, 102  
112, 150, 151  
190, 260, 264

003, 055  
056, 402  
412, 452

**Entrance American Cylinder Multi-point**

ACT3 Entry - Keyed W/ Turnknob \$575 650

**Passage Multi-point**

FDP3 Passage - Active No Cylinder Or Turnknob 450 525

**Half Inactive / Half Passage Multi-point**

AIN3 Inactive Outside And Active Inside - Non-keyed 450 525

**Full Inactive Multi-point**

FD3 Inactive - Non-keyed 450 525

**Patio Multi-point**

PAT3 Patio - Non-keyed 450 525

**Multi-point, Escutcheons ONLY**

KNIR3	KN, Cut for Knob Inside	\$190	220
KNIR3	KN, Cut for Knob Inside - Rigid Lever	190	220
KNO3	KN, Cut for Knob Outside	190	220
KNOR3	KN, Cut for Knob Outside - Rigid Lever	190	220
KC3	KC, Cut for Cylinder Outside - American C3	220	250
KT3	KT, Cut for Turnpiece Inside - American C3	210	240
PKT3	Patio KT, Cut for Turnpiece Inside - C3	210	240

**Kensington, Bristol, Richland**

500

030, 031, 033  
034, 038, 040  
050, 060, 102  
112, 150, 151  
190, 260, 264

003, 055  
056, 402  
412, 452

**WITHOUT LEVERS**

030, 031, 033  
034, 038, 040  
050, 060, 102  
112, 150, 151  
190, 260, 264

030, 031, 033  
034, 038, 040  
050, 060, 102  
112, 150, 151  
190, 260, 264

003, 055  
056, 402  
412, 452

**Entrance American Cylinder Multi-point**

ACT3 Entry - Keyed W/ Turnknob \$625 700

**Passage Multi-point**

FDP3 Passage - Active No Cylinder Or Turnknob 500 575

**Half Inactive / Half Passage Multi-point**

AIN3 Inactive Outside And Active Inside - Non-keyed 500 575

**Full Inactive Multi-point**

FD3 Inactive - Non-keyed 500 575

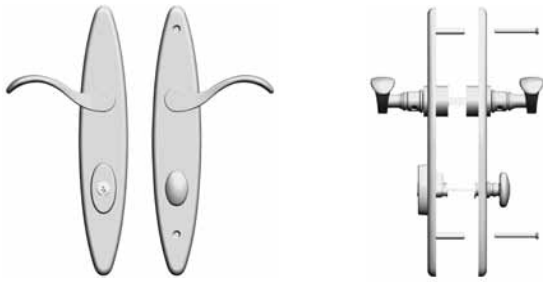
**Patio Multi-point**

PAT3 Patio - Non-keyed 500 575

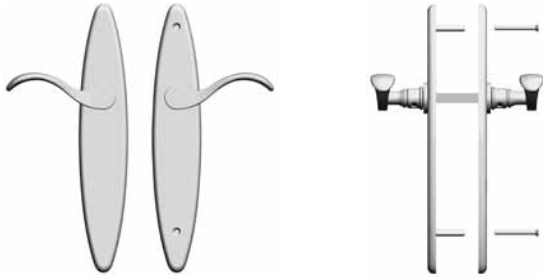
**Multi-point, Escutcheons ONLY**

KNIR3	KN, Cut for Knob Inside	\$210	240
KNIR3	KN, Cut for Knob Inside - Rigid Lever	210	240
KNO3	KN, Cut for Knob Outside	210	240
KNOR3	KN, Cut for Knob Outside - Rigid Lever	210	240
KC3	KC, Cut for Cylinder Outside - American C3	240	270
KT3	KT, Cut for Turnpiece Inside - American C3	230	260
PKT3	Patio KT, Cut for Turnpiece Inside - C3	230	260

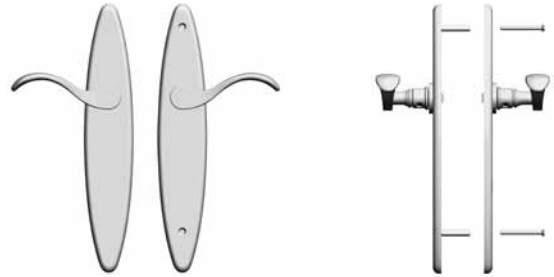
**ACT3 – Entrance American Cylinder**



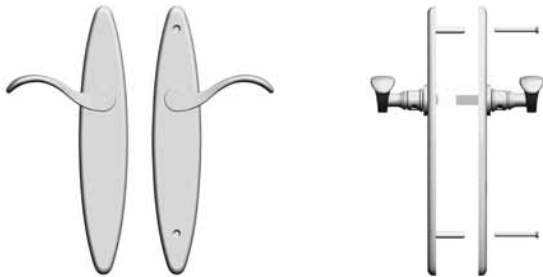
**FDP3 – Passage**



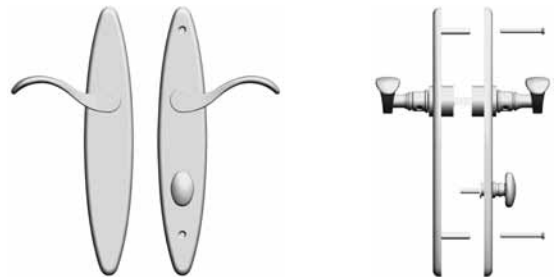
**FD3 – Full Inactive**



**AIN3 – Half Inactive/Half Passage**



**PAT3 – Patio**



**Thick Door Kits**

Config #3 Multi-Point come standard for 1 3/4" to 2 1/4" door thickness. For thicker doors, please order a Thick Door kit according to the chart below. Specify cylinder finish where noted. Available cylinder finishes include 264 (Satin Chrome) and 040 (Satin Brass) ONLY. See finish chart on page 176 for cylinder finish recommendations.

<b>ACT3</b>	<b>1 3/4" to 2 1/4"</b>	<b>2 3/8" to 2 1/2"</b>	<b>2 3/4"</b>	<b>List Price</b>
	MP000.xxx.ACTA	MP000.xxx.ACTB	MP000.xxx.ACTC	\$115
<b>PAT3</b>	<b>1 3/4" to 2 1/4"</b>	<b>2 3/8" to 2 3/4"</b>		
	MP000.000.FDPTP	MP000.000.FDPTQ		\$25
<b>AIN Sets</b>	<b>1 3/4" to 2 1/4"</b>	<b>2 3/8" to 2 3/4"</b>		
	MP000.000.AINS	MP000.000.AINT		\$25
<b>FD Sets</b>	<b>1 3/4" to 2 1/4"</b>	<b>2 3/8" to 2 3/4"</b>		
	MP000.000.FDPTP	MP000.000.FDPTQ		\$25
<b>FDP Sets</b>	<b>1 3/4" to 2 1/4"</b>	<b>2 3/8" to 2 3/4"</b>		
	MP000.000.FDPTP	MP000.000.FDPTQ		\$25

**Included w/ standard sets**

- ACT kits include: 8mm to 7.3mm Conversion Spindle, Keyed Cylinder, and Cylinder Installation Hardware
- PAT kits include: 8mm to 7.3mm Conversion Spindle
- AIN kits include: Half spindle, and Spindle Installation Hardware
- FDPTP kits include: 8mm to 7.3mm Conversion Spindle



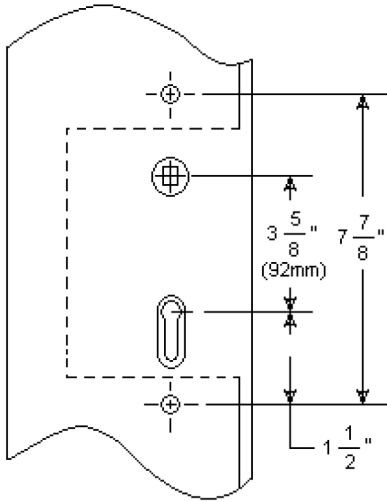
# Choose function

Swinging Patio Door Hardware -  
Set includes Plates, Handles and Cylinders (where applicable)

#4

Profile Cylinder Below Handle — 3-5/8" (92 mm) center to center  
7-7/8" center to center mounting hole location

Caradco,<sup>®</sup> G-U,<sup>®</sup> Hoppe,<sup>®</sup> Hurd,<sup>®</sup> Eagle,<sup>®</sup> Kolbe & Kolbe,<sup>®</sup> Loewen,<sup>®</sup> Lincoln,<sup>®</sup> Norco,<sup>®</sup> Peachtree,<sup>®</sup> Pozzi,<sup>®</sup> Sierra Pacific,<sup>®</sup> Semco,<sup>®</sup> Vetter,<sup>®</sup> Weathershield,<sup>®</sup> and others



**WITHOUT LEVERS**

**Bismark, Boulder, Cody, Concord, Lakeshore, Springfield**

030, 031, 033  
034, 038, 040  
050, 060, 102  
112, 150, 151  
190, 260, 264

003, 055  
056, 402  
412, 452

030, 031, 033  
034, 038, 040  
050, 060, 102  
112, 150, 151  
190, 260, 264

003, 055  
056, 402  
412, 452

030, 031, 033  
034, 038, 040  
050, 060, 102  
112, 150, 151  
190, 260, 264

003, 055  
056, 402  
412, 452

**Entrance Profile Cylinder Multi-point**

ACT4 Entry - Keyed W/ Turnknob \$550 625

**Passage Multi-point**

FDP4 Passage - Active No Cylinder Or Turnknob 450 525

**Half Inactive / Half Passage Multi-point**

AIN4 Inactive Outside And Active Inside - Non-keyed 450 525

**Full Inactive Multi-point**

FD4 Inactive - Non-keyed 450 525

**Patio Multi-point**

PAT4 Patio - Non-keyed 450 525

**WITHOUT LEVERS**

**Kensington, Bristol, Richland**

030, 031, 033  
034, 038, 040  
050, 060, 102  
112, 150, 151  
190, 260, 264

003, 055  
056, 402  
412, 452

030, 031, 033  
034, 038, 040  
050, 060, 102  
112, 150, 151  
190, 260, 264

003, 055  
056, 402  
412, 452

030, 031, 033  
034, 038, 040  
050, 060, 102  
112, 150, 151  
190, 260, 264

003, 055  
056, 402  
412, 452

**Entrance Profile Cylinder Multi-point**

ACT4 Entry - Keyed W/ Turnknob \$600 675

**Passage Multi-point**

FDP4 Passage - Active No Cylinder Or Turnknob 500 575

**Half Inactive / Half Passage Multi-point**

AIN4 Inactive Outside And Active Inside - Non-keyed 500 575

**Full Inactive Multi-point**

FD4 Inactive - Non-keyed 500 575

**Patio Multi-point**

PAT4 Patio - Non-keyed 500 575

**Multi-point, Escutcheons ONLY**

KNIR4 KN, Cut for Knob Inside \$210 240

KNIR4 KN, Cut for Knob Inside - Rigid Lever 210 240

KNO4 KN, Cut for Knob Outside 210 240

KNOR4 KN, Cut for Knob Outside - Rigid Lever 210 240

KC4 KC, Cut for Cylinder Outside - Pro C4 230 260

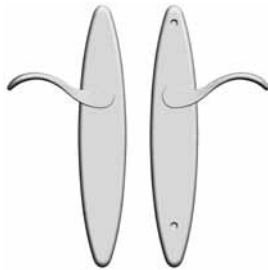
KCT4 KC, Cut for Cylinder Inside - Pro C4 230 260



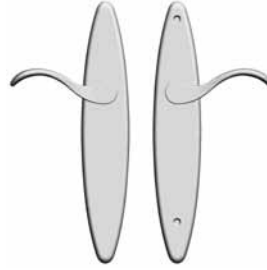
**ACT4 – Entrance Profile Cylinder**



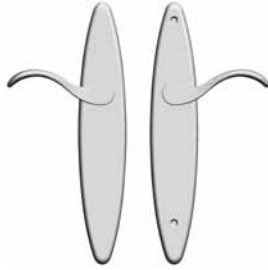
**FDP4 – Passage**



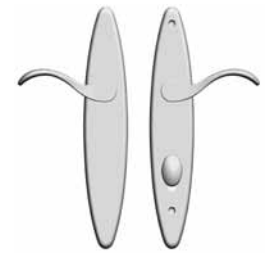
**FD4 – Full Inactive**



**AIN4 – Half Inactive/Half Passage**



**PAT4 – Patio**



**Thick Door Kits**

Config #4 Multi-Point Active and Patio trims assume 1.75" door thickness.

For thicker doors, please order a Thick Door kit according to the chart below.

Specify cylinder finish where noted.

Available cylinder finishes include ONLY 264 (Satin Chrome), 040 (Satin Brass) and 112 (Venetian Bronze).

See finish chart on page 176 for cylinder finish recommendations.

ACT kits include: 8mm to 7.3mm Conversion Spindle, Keyed Cylinder, and Cylinder Installation Hardware

PAT kits include: 8mm to 7.3mm Conversion Spindle, Patio Cylinder and Cylinder Installation Hardware

AIN kits include: Half spindle, and Spindle Installation Hardware

FDPTP kits include: 8mm to 7.3mm Conversion Spindle

ACT4	1 3/4"	2"	2 1/4"	2 3/8"	2 1/2"	2 3/4"	List Price
All others	MP000.xxx.ACTD	MP000.xxx.ACTD	MP000.xxx.ACTE	MP000.xxx.ACTF	MP000.xxx.ACTG	MP000.xxx.ACTG	\$120
Bismark, Kensington, Lakeshore	MP000.xxx.ACTD	MP000.xxx.ACTE	MP000.xxx.ACTE	MP000.xxx.ACTF	MP000.xxx.ACTG	MP000.xxx.ACTI	\$120
PAT4	1 3/4"	2"	2 1/4"	2 3/8"	2 1/2"	2 3/4"	
All others	MP000.xxx.PATJ	MP000.xxx.PATJ	MP000.xxx.PATK	MP000.xxx.PATL	MP000.xxx.PATM	MP000.xxx.PATM	\$120
Bismark, Kensington, Lakeshore	MP000.xxx.PATJ	MP000.xxx.PATK	MP000.xxx.PATK	MP000.xxx.PATL	MP000.xxx.PATM	MP000.xxx.PATO	\$120
AIN Sets	1 3/4" to 2 1/4"			2 3/8" to 2 3/4"			
	MP000.000.AINS			MP000.000.AINT			\$25
FD Sets	1 3/4" to 2 1/4"			2 3/8" to 2 3/4"			
	MP000.000.FDPTP			MP000.000.FDPTQ			\$25
FDP Sets	1 3/4" to 2 1/4"			2 3/8" to 2 3/4"			
	MP000.000.FDPTP			MP000.000.FDPTQ			\$25

Included w/ standard sets



# Choose function

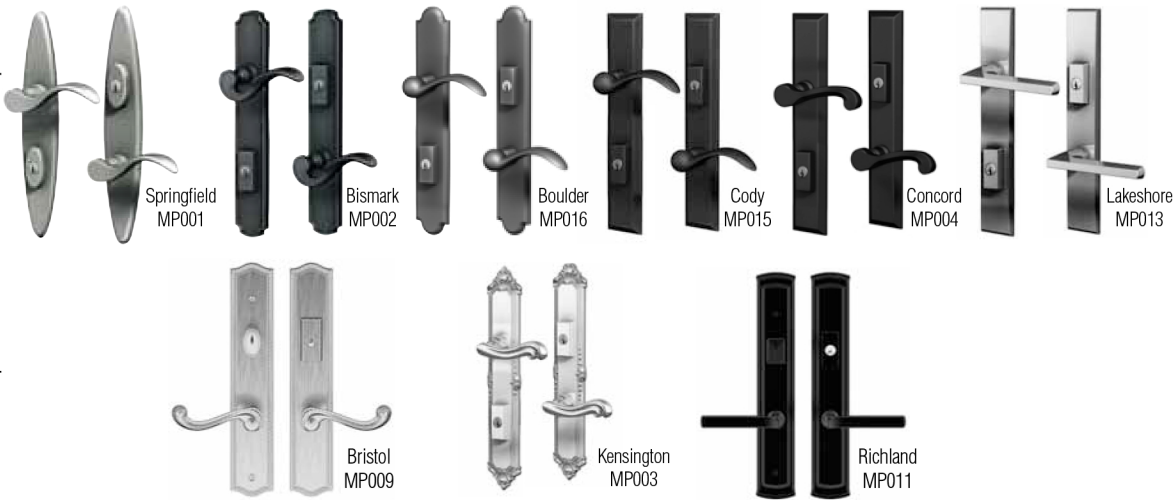
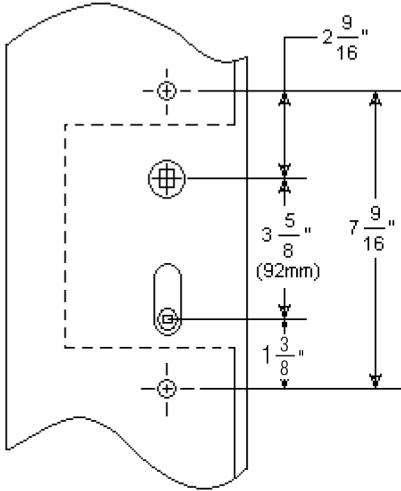
Swinging Patio Door Hardware -  
Set includes Plates, Handles and Cylinders (where applicable)

#5

American Cylinder Above or Below Handle — 3-5/8" (92 mm) center to center  
7-9/16" center to center mounting hole location

G-U,<sup>®</sup> Eagle,<sup>®</sup> BiltBest,<sup>®</sup> Marvin Integrity,<sup>®</sup> Pella<sup>®</sup>  
Sierra Pacific,<sup>®</sup> Superior,<sup>®</sup> Willmar<sup>®</sup>

NOTE: #5 cylinder to spindle orientation is reversible, works for both above and below handle mounting.



**WITHOUT LEVERS**

**Bismark, Boulder, Cody, Concord, Lakeshore, Springfield**

030, 031, 033  
034, 038, 040  
050, 060, 102  
112, 150, 151  
190, 260, 264

003, 055  
056, 402  
412, 452

030, 031, 033  
034, 038, 040  
050, 060, 102  
112, 150, 151  
190, 260, 264

003, 055  
056, 402  
412, 452

030, 031, 033  
034, 038, 040  
050, 060, 102  
112, 150, 151  
190, 260, 264

003, 055  
056, 402  
412, 452

**Entrance American Cylinder Multi-point**

ACT5 Entry - Keyed W/ Turnknob

\$575 650 430 485

**Passage Multi-point**

FDP5 Passage - Active No Cylinder Or Turnknob

450 525 305 360

**Half Inactive / Half Passage Multi-point**

AIN5 Inactive Outside And Active Inside - Non-keyed

450 525 305 360

**Full Inactive Multi-point**

FD5 Inactive - Non-keyed

450 525 305 360

**Patio Multi-point**

PAT5 Patio - Non-keyed

450 525 305 360

**Multi-point, Escutcheons ONLY**

KNI5	KN, Cut for Knob Inside	\$190	220
KNIR5	KN, Cut for Knob Inside - Rigid Lever	190	220
KNO5	KN, Cut for Knob Outside	190	220
KNOR5	KN, Cut for Knob Outside - Rigid Lever	190	220
KC5	KC, Cut for Cylinder Outside - American C5	220	250
KT5	KT, Cut for Turnpiece Inside - American C5	210	240
PKT5	Patio KT, Cut for Turnpiece Inside - C5	210	240

**WITHOUT LEVERS**

**Kensington, Bristol, Richland**

030, 031, 033  
034, 038, 040  
050, 060, 102  
112, 150, 151  
190, 260, 264

003, 055  
056, 402  
412, 452

030, 031, 033  
034, 038, 040  
050, 060, 102  
112, 150, 151  
190, 260, 264

003, 055  
056, 402  
412, 452

030, 031, 033  
034, 038, 040  
050, 060, 102  
112, 150, 151  
190, 260, 264

003, 055  
056, 402  
412, 452

**Entrance American Cylinder Multi-point**

ACT5 Entry - Keyed W/ Turnknob

\$625 700 480 535

**Passage Multi-point**

FDP5 Passage - Active No Cylinder Or Turnknob

500 575 355 410

**Half Inactive / Half Passage Multi-point**

AIN5 Inactive Outside And Active Inside - Non-keyed

500 575 355 410

**Full Inactive Multi-point**

FD5 Inactive - Non-keyed

500 575 355 410

**Patio Multi-point**

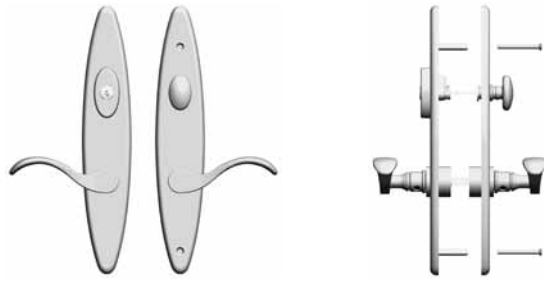
PAT5 Patio - Non-keyed

500 575 355 410

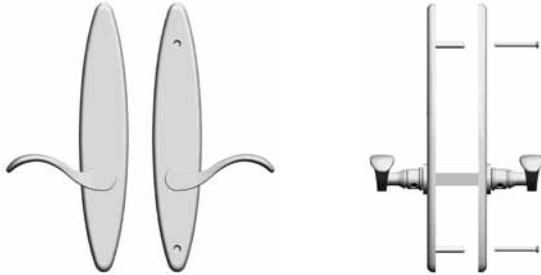
**Multi-point, Escutcheons ONLY**

KNI5	KN, Cut for Knob Inside	\$210	240
KNIR5	KN, Cut for Knob Inside - Rigid Lever	210	240
KNO5	KN, Cut for Knob Outside	210	240
KNOR5	KN, Cut for Knob Outside - Rigid Lever	210	240
KC5	KC, Cut for Cylinder Outside - American C5	240	270
KT5	KT, Cut for Turnpiece Inside - American C5	230	260
PKT5	Patio KT, Cut for Turnpiece Inside - C5	230	260

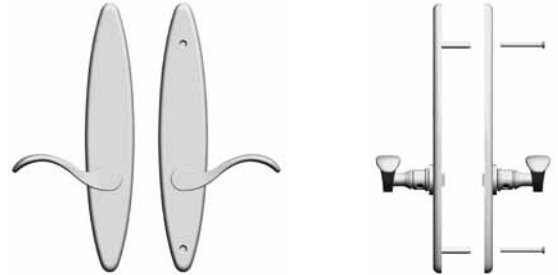
**ACT5 – Entrance American Cylinder**



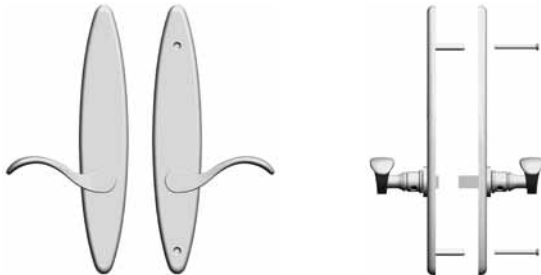
**FDP5 – Passage**



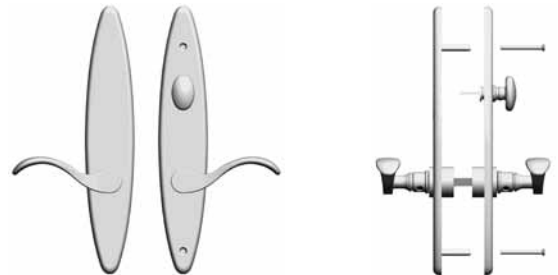
**FD5 – Full Inactive**



**AIN5 – Half Inactive/Half Passage**



**PAT5 – Patio**



**Thick Door Kits**

Config #5 Multi-Point trims come standard for 1 3/4" to 2 1/4" door thickness. For thicker doors, please order a Thick Door kit according to the chart below. Specify cylinder finish where noted.

Available cylinder finishes include 264 (Satin Chrome) and 040 (Satin Brass) ONLY.

See finish chart on page 176 for cylinder finish recommendations.

ACT5	1 3/4" to 2 1/4"	2 3/8" to 2 1/2"	2 3/4"	List Price
	MP000.xxx.ACTA	MP000.xxx.ACTB	MP000.xxx.ACTC	\$115
PAT5	1 3/4" to 2 1/4"	2 3/8" to 2 3/4"		
	MP000.000.FDPTP	MP000.000.FDPTQ		\$25
AIN Sets	1 3/4" to 2 1/4"	2 3/8" to 2 3/4"		
	MP000.000.AINS	MP000.000.AINT		\$25
FD Sets	1 3/4" to 2 1/4"	2 3/8" to 2 3/4"		
	MP000.000.FDPTP	MP000.000.FDPTQ		\$25
FDP Sets	1 3/4" to 2 1/4"	2 3/8" to 2 3/4"		
	MP000.000.FDPTP	MP000.000.FDPTQ		\$25

**Included w/ standard sets**

- ACT kits include: 8mm to 7.3mm Conversion Spindle, Keyed Cylinder, and Cylinder Installation Hardware
- PAT kits include: 8mm to 7.3mm Conversion Spindle
- AIN kits include: Half spindle, and Spindle Installation Hardware
- FDPTP kits include: 8mm to 7.3mm Conversion Spindle



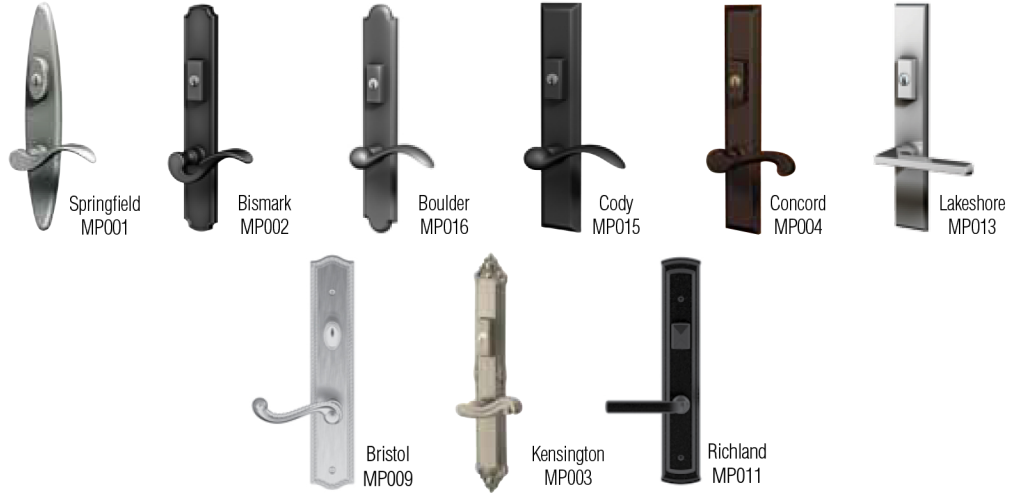
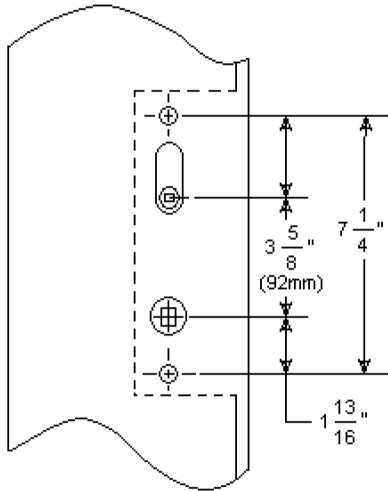
# Choose function

Swinging Patio Door Hardware -  
Set includes Plates, Handles and Cylinders (where applicable)

#6

American Cylinder Above Handle — 3-5/8" (92 mm) center to center  
7-1/4" center to center mounting hole location

Ashland,<sup>®</sup> Caradco,<sup>®</sup> Milgard,<sup>®</sup> Marvin,<sup>®</sup> Peachtree,<sup>®</sup> Weathershield<sup>®</sup>



**Bismark, Boulder, Cody,  
Concord, Lakeshore, Springfield**

030, 031, 033  
034, 038, 040  
050, 060, 102  
112, 150, 151  
190, 260, 264

003, 055  
056, 402  
412, 452

**WITHOUT LEVERS**

030, 031, 033  
034, 038, 040  
050, 060, 102  
112, 150, 151  
190, 260, 264

030, 031, 033  
034, 038, 040  
050, 060, 102  
112, 150, 151  
190, 260, 264

003, 055  
056, 402  
412, 452

**Entrance American Cylinder Multi-point**

ACT6 Entry - Keyed W/ Turnknob \$575 650

**Passage Multi-point**

FDP6 Passage - Active No Cylinder Or Turnknob 450 525

**Half Inactive / Half Passage Multi-point**

AIN6 Inactive Outside And Active Inside - Non-keyed 450 525

**Full Inactive Multi-point**

FD6 Inactive - Non-keyed 450 525

**Patio Multi-point**

PAT6 Patio - Non-keyed 450 525

**Multi-point, Escutcheons ONLY**

KNi6 KN, Cut for Knob Inside \$190 220

KNiR6 KN, Cut for Knob Inside - Rigid Lever 190 220

KNO6 KN, Cut for Knob Outside 190 220

KNOR6 KN, Cut for Knob Outside - Rigid Lever 190 220

KC6 KC, Cut for Cylinder Outside - American C6 220 250

KT6 KT, Cut for Turnpiece Inside - American C6 210 240

PKT6 Patio KT, Cut for Turnpiece Inside - C6 210 240

**Kensington, Bristol, Richland**

030, 031, 033  
034, 038, 040  
050, 060, 102  
112, 150, 151  
190, 260, 264

003, 055  
056, 402  
412, 452

**WITHOUT LEVERS**

030, 031, 033  
034, 038, 040  
050, 060, 102  
112, 150, 151  
190, 260, 264

030, 031, 033  
034, 038, 040  
050, 060, 102  
112, 150, 151  
190, 260, 264

003, 055  
056, 402  
412, 452

**Entrance American Cylinder Multi-point**

ACT6 Entry - Keyed W/ Turnknob \$625 700

**Passage Multi-point**

FDP6 Passage - Active No Cylinder Or Turnknob 500 575

**Half Inactive / Half Passage Multi-point**

AIN6 Inactive Outside And Active Inside - Non-keyed 500 575

**Full Inactive Multi-point**

FD6 Inactive - Non-keyed 500 575

**Patio Multi-point**

PAT6 Patio - Non-keyed 500 575

**Multi-point, Escutcheons ONLY**

KNi6 KN, Cut for Knob Inside \$210 240

KNiR6 KN, Cut for Knob Inside - Rigid Lever 210 240

KNO6 KN, Cut for Knob Outside 210 240

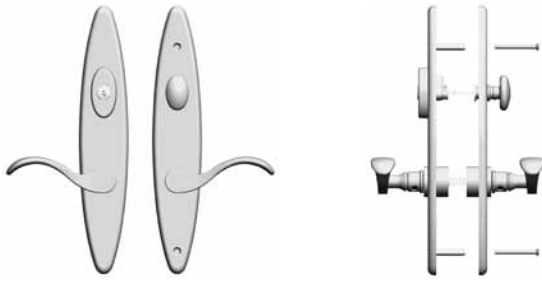
KNOR6 KN, Cut for Knob Outside - Rigid Lever 210 240

KC6 KC, Cut for Cylinder Outside - American C6 240 270

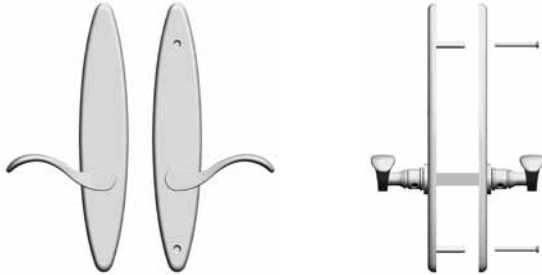
KT6 KT, Cut for Turnpiece Inside - American C6 230 260

PKT6 Patio KT, Cut for Turnpiece Inside - C6 230 260

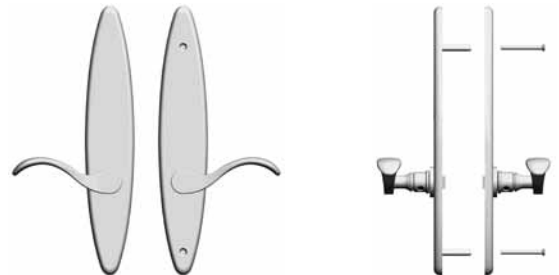
**ACT6 – Entrance American Cylinder**



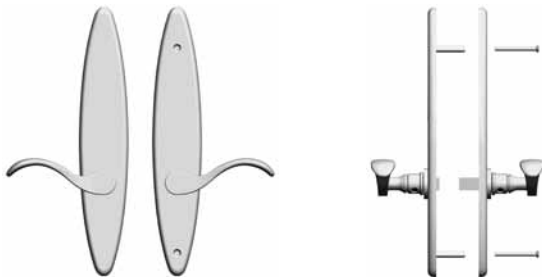
**FDP6 – Passage**



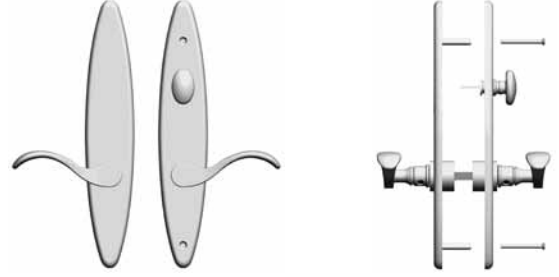
**FD6 – Full Inactive**



**AIN6 – Half Inactive/Half Passage**



**PAT6 – Patio**



**Thick Door Kits**

Config #6 Multi-Point trims come standard for 1 3/4" to 2 1/4" door thickness. For thicker doors, please order a Thick Door kit according to the chart below. Specify cylinder finish where noted. Available cylinder finishes include 264 (Satin Chrome) and 040 (Satin Brass) ONLY. See finish chart on page 176 for cylinder finish recommendations.

ACT6	1 3/4" to 2 1/4"	2 3/8" to 2 1/2"	2 3/4"	List Price
	MP000.xxx.ACTA	MP000.xxx.ACTB	MP000.xxx.ACTC	\$120
PAT6	1 3/4" to 2 1/4"	2 3/8" to 2 3/4"		
	MP000.000.FDPTP	MP000.000.FDPTQ		\$25
AIN Sets	1 3/4" to 2 1/4"	2 3/8" to 2 3/4"		
	MP000.000.AINS	MP000.000.AINT		\$25
FD Sets	1 3/4" to 2 1/4"	2 3/8" to 2 3/4"		
	MP000.000.FDPTP	MP000.000.FDPTQ		\$25
FDP Sets	1 3/4" to 2 1/4"	2 3/8" to 2 3/4"		
	MP000.000.FDPTP	MP000.000.FDPTQ		\$25

**Included w/ standard sets**

- ACT kits include: 8mm to 7.3mm Conversion Spindle, Keyed Cylinder, and Cylinder Installation Hardware
- PAT kits include: 8mm to 7.3mm Conversion Spindle
- AIN kits include: Half spindle, and Spindle Installation Hardware
- FDPTP kits include: 8mm to 7.3mm Conversion Spindle





## EUROPEAN MORTISE TRIM

TECHNICAL SPECIFICATIONS  
AND PRICE LIST





# HOW TO ORDER – European Mortise

## 1. Pick Your Trim (left):

- MP001 – Springfield European Mortise Trim
- MP002 – Bismark European Mortise Trim
- MP003 – Kensington European Mortise Trim
- MP004 – Concord European Mortise Trim
- MP009 – Bristol European Mortise Trim
- MP011 – Richland European Mortise Trim
- MP013 – Lakeshore European Mortise Trim
- MP015 – Cody European Mortise Trim
- MP016 – Boulder European Mortise Trim

## 2. Specify Required Door Configuration:

- Configuration #7 – European Mortise – 72mm CTC
- Configuration #8 – European Mortise – 85mm CTC

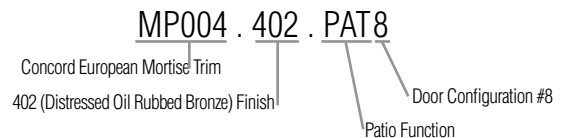
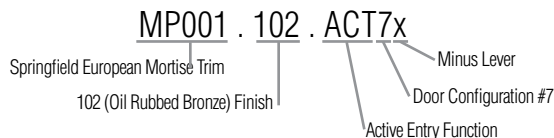
## 3. Pick Your Function:

- ACT – Entry, keyed w/ turnknob (supplied w/ cylinder for 44.45 mm door thickness)
- FDP – Passage, active, no cylinder or turnknob
- FD – Inactive, non-keyed
- PAT – Patio, non-keyed

## 4. Specify minus lever option, if desired:

Add “x” to suffix for minus lever option. Otherwise trim ships with stock lever choice as shown.

### Examples:



## 5. If a lever other than the standard is desired:

Order trim without levers and order levers separately

## 6. If split finish, order components separately

Escutcheon, lever, kit will be priced separately

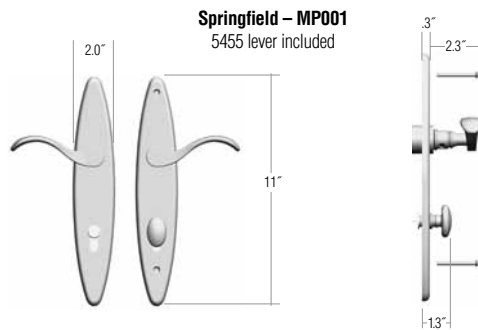
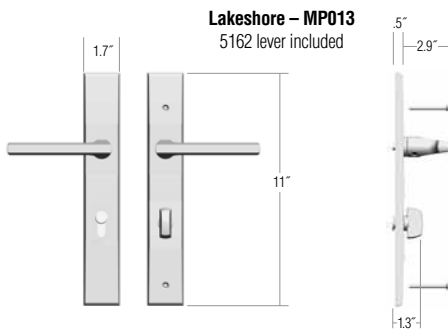
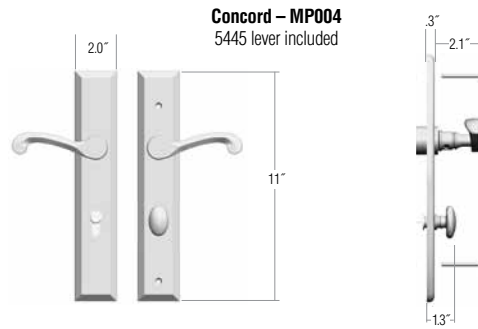
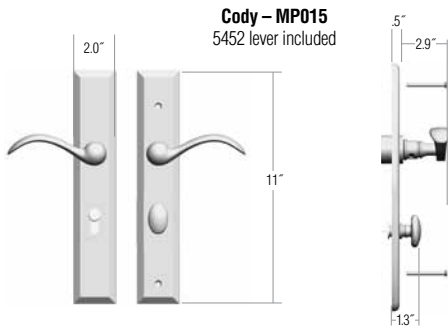
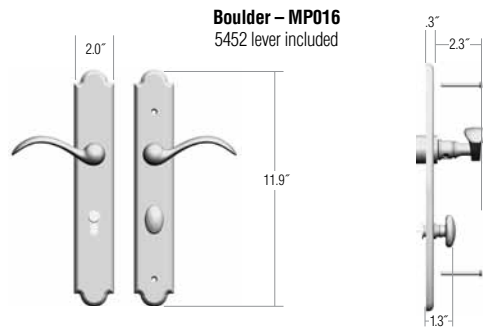
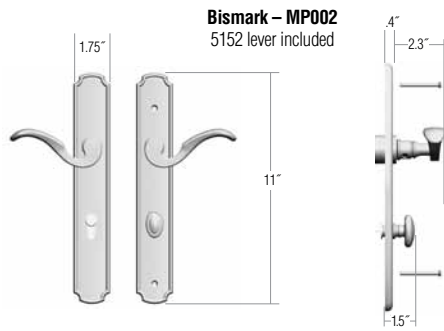
### RECOMMENDED CYLINDER FINISHES

RECOMMENDED FINISHES	ORIGINAL FINISHES
040	003, 030, 031, 033, 034, 060, 040, 050, 038
112	412, 102, 190, 402, 112
264	055, 056, 150, 151, 260, 264, 452

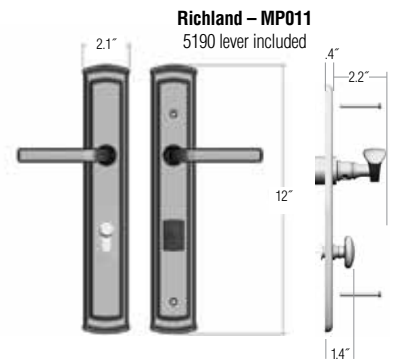
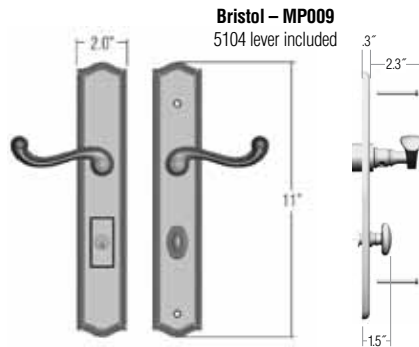
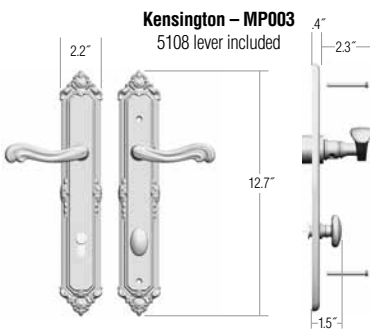
# Pick your European Mortise trim

## Dimensional Drawings

### Tier 1



### Tier 2



# Choose your Door Configuration

#7

European Mortise Cylinder — 72mm center to center

#8

European Mortise Cylinder — 85mm center to center

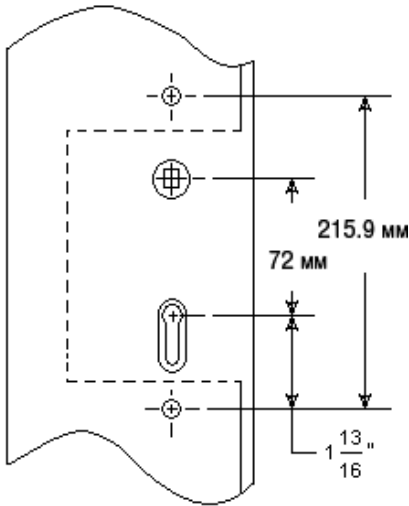


# Choose function

European Mortise Hardware -  
Set includes Plates, Handles and Cylinders (where applicable)

#7

European Mortise Cylinder — 72mm center to center  
215.9 mm center to center mounting hole location



**Bismark, Boulder, Cody, Concord, Lakeshore, Springfield**

030, 031, 033  
034, 038, 040  
050, 060, 102  
112, 150, 151  
190, 260, 264

003, 055  
056, 402  
412, 452

**WITHOUT LEVERS**

030, 031, 033  
034, 038, 040  
050, 060, 102  
112, 150, 151  
190, 260, 264

003, 055  
056, 402  
412, 452

030, 031, 033  
034, 038, 040  
050, 060, 102  
112, 150, 151  
190, 260, 264

**Entrance Mortise Cylinder European Mortise**

ACT7 Entry - Keyed W/ Turnknob

\$550

625

405

460

**Passage European Mortise**

FDP7 Passage - Active No Cylinder Or Turnknob

450

525

305

360

**Full Inactive European Mortise**

FD7 Inactive - Non-keyed

450

525

305

360

**Patio European Mortise**

PAT7 Patio - Non-keyed

450

525

305

360

**Escutcheons ONLY**

KN17 KN, Cut for Knob Inside

\$190

220

KN1R7 KN, Cut for Knob Inside - Rigid Lever

190

220

KN07 KN, Cut for Knob Outside

190

220

KNOR7 KN, Cut for Knob Outside - Rigid Lever

190

220

KC7 KC, Cut for Cylinder Outside - Pro C1

210

240

KCT7 KC, Cut for Cylinder Inside - Pro C1

210

240

**Kensington, Bristol, Richland**

030, 031, 033  
034, 038, 040  
050, 060, 102  
112, 150, 151  
190, 260, 264

003, 055  
056, 402  
412, 452

**WITHOUT LEVERS**

030, 031, 033  
034, 038, 040  
050, 060, 102  
112, 150, 151  
190, 260, 264

003, 055  
056, 402  
412, 452

030, 031, 033  
034, 038, 040  
050, 060, 102  
112, 150, 151  
190, 260, 264

**Entrance Mortise Cylinder European Mortise**

ACT7 Entry - Keyed W/ Turnknob

\$600

675

455

510

**Passage European Mortise**

FDP7 Passage - Active No Cylinder Or Turnknob

500

575

355

410

**Full Inactive European Mortise**

FD7 Inactive - Non-keyed

500

575

355

410

**Patio European Mortise**

PAT7 Patio - Non-keyed

500

575

355

410

**Escutcheons ONLY**

KN17 KN, Cut for Knob Inside

\$210

240

KN1R7 KN, Cut for Knob Inside - Rigid Lever

210

240

KN07 KN, Cut for Knob Outside

210

240

KNOR7 KN, Cut for Knob Outside - Rigid Lever

210

240

KC7 KC, Cut for Cylinder Outside - Pro C1

230

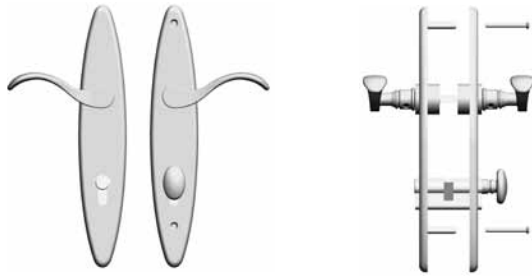
260

KCT7 KC, Cut for Cylinder Inside - Pro C1

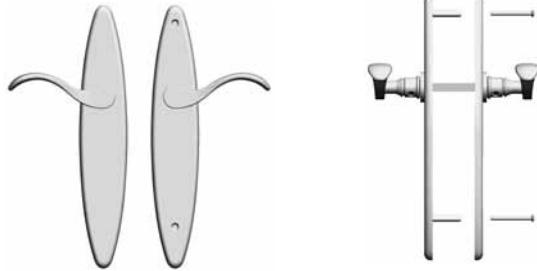
230

260

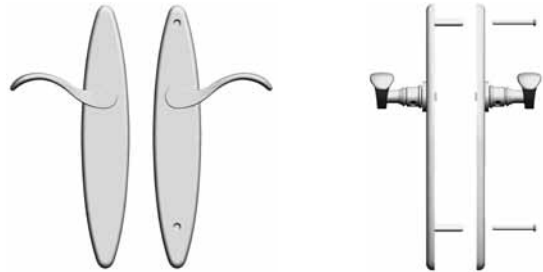
**ACT7 – Entrance Mortise Cylinder**



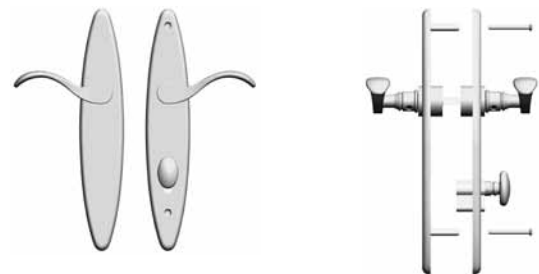
**FDP7 – Passage**



**FD7 – Full Inactive**



**PAT7 – Patio**



**Thick Door Kits**

Baldwin European Mortise trims assume 1.75" door thickness. For thicker doors, please order a Thick Door kit according to the chart below.

Specify cylinder finish where noted.

Available cylinder finishes include ONLY 264 (Satin Chrome), 040 (Satin Brass) and 112 (Venetian Bronze).

See finish chart on page 194 for cylinder finish recommendations.

<b>ACT1</b>	<b>1 3/4"</b>	<b>2"</b>	<b>2 1/4"</b>	<b>2 3/8"</b>	<b>2 1/2"</b>	<b>2 3/4"</b>	<b>List Price</b>
All others	MP000.xxx.ACTD	MP000.xxx.ACTD	MP000.xxx.ACTE	MP000.xxx.ACTF	MP000.xxx.ACTG	MP000.xxx.ACTG	\$120
Bismark, Kensington, Lakeshore	MP000.xxx.ACTD	MP000.xxx.ACTE	MP000.xxx.ACTE	MP000.xxx.ACTF	MP000.xxx.ACTG	MP000.xxx.ACTI	\$120
<b>PAT1</b>	<b>1 3/4"</b>	<b>2"</b>	<b>2 1/4"</b>	<b>2 3/8"</b>	<b>2 1/2"</b>	<b>2 3/4"</b>	
All others	MP000.xxx.PATJ	MP000.xxx.PATJ	MP000.xxx.PATK	MP000.xxx.PATL	MP000.xxx.PATM	MP000.xxx.PATM	\$120
Bismark, Kensington, Lakeshore	MP000.xxx.PATJ	MP000.xxx.PATK	MP000.xxx.PATK	MP000.xxx.PATL	MP000.xxx.PATM	MP000.xxx.PATO	\$120
<b>FD Sets</b>	<b>1 3/4" to 2 1/4"</b>			<b>2 3/8" to 2 3/4"</b>			
	MP000.000.FDPTP			MP000.000.FDPTQ			\$25
<b>FDP Sets</b>	<b>1 3/4" to 2 1/4"</b>			<b>2 3/8" to 2 3/4"</b>			
	MP000.000.FDPTP			MP000.000.FDPTQ			\$25

**Included w/ standard sets**

ACT kits include: 8mm to 7.3mm Conversion Spindle, Keyed Cylinder, and Cylinder Installation Hardware

PAT kits include: 8mm to 7.3mm Conversion Spindle, Patio Cylinder, and Cylinder Installation Hardware

FDPTP kits include: 8mm to 7.3mm Conversion Spindle

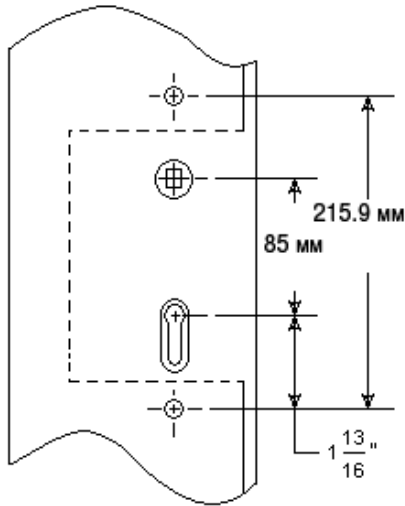


# Choose function

European Mortise Hardware -  
Set includes Plates, Handles and Cylinders (where applicable)

#8

European Mortise Cylinder — *85mm center to center*  
215.9 mm center to center mounting hole location



**Bismark, Boulder, Cody,  
Concord, Lakeshore, Springfield**

030, 031, 033  
034, 038, 040  
050, 060, 102  
112, 150, 151  
190, 260, 264

003, 055  
056, 402  
412, 452

**WITHOUT LEVERS**

030, 031, 033  
034, 038, 040  
050, 060, 102  
112, 150, 151  
190, 260, 264

003, 055  
056, 402  
412, 452

030, 031, 033  
034, 038, 040  
050, 060, 102  
112, 150, 151  
190, 260, 264

003, 055  
056, 402  
412, 452

**Entrance Mortise Cylinder European Mortise**

ACT8 Entry - Keyed W/ Turnknob

\$550

625

405

460

**Passage European Mortise**

FDP8 Passage - Active No Cylinder Or Turnknob

450

525

305

360

**Full Inactive European Mortise**

FD8 Inactive - Non-keyed

450

525

305

360

**Patio European Mortise**

PAT8 Patio - Non-keyed

450

525

305

360

**Escutcheons ONLY**

KNI8 KN, Cut for Knob Inside

\$190

220

KNIR8 KN, Cut for Knob Inside - Rigid Lever

190

220

KNO8 KN, Cut for Knob Outside

190

220

KNOR8 KN, Cut for Knob Outside - Rigid Lever

190

220

KC8 KC, Cut for Cylinder Outside - Pro C1

210

240

KCT8 KC, Cut for Cylinder Inside - Pro C1

210

240

**Kensington, Bristol, Richland**

030, 031, 033  
034, 038, 040  
050, 060, 102  
112, 150, 151  
190, 260, 264

003, 055  
056, 402  
412, 452

**WITHOUT LEVERS**

030, 031, 033  
034, 038, 040  
050, 060, 102  
112, 150, 151  
190, 260, 264

003, 055  
056, 402  
412, 452

030, 031, 033  
034, 038, 040  
050, 060, 102  
112, 150, 151  
190, 260, 264

003, 055  
056, 402  
412, 452

**Entrance Mortise Cylinder European Mortise**

ACT8 Entry - Keyed W/ Turnknob

\$600

675

455

510

**Passage European Mortise**

FDP8 Passage - Active No Cylinder Or Turnknob

500

575

355

410

**Full Inactive European Mortise**

FD8 Inactive - Non-keyed

500

575

355

410

**Patio European Mortise**

PAT8 Patio - Non-keyed

500

575

355

410

**Escutcheons ONLY**

KNI8 KN, Cut for Knob Inside

\$210

240

KNIR8 KN, Cut for Knob Inside - Rigid Lever

210

240

KNO8 KN, Cut for Knob Outside

210

240

KNOR8 KN, Cut for Knob Outside - Rigid Lever

210

240

KC8 KC, Cut for Cylinder Outside - Pro C1

230

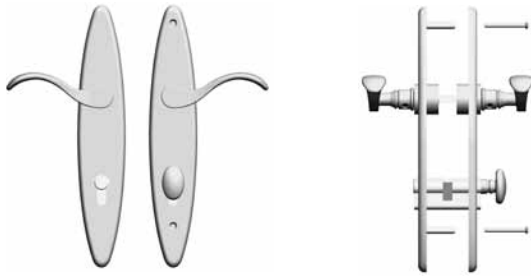
260

KCT8 KC, Cut for Cylinder Inside - Pro C1

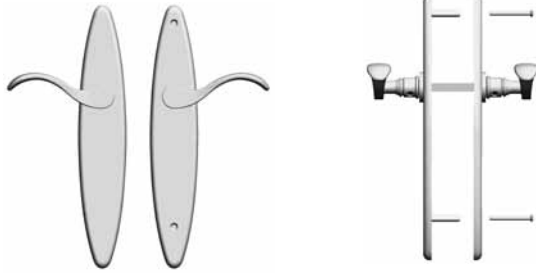
230

260

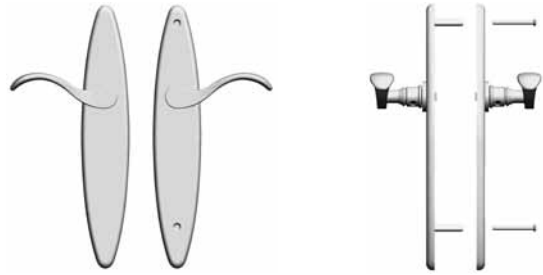
**ACT8 – Entrance Mortise Cylinder**



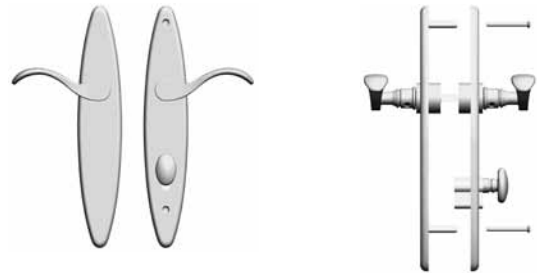
**FDP8 – Passage**



**FD8 – Full Inactive**



**PAT8 – Patio**



**Thick Door Kits**

Baldwin European Mortise trims assume 1.75" door thickness. For thicker doors, please order a Thick Door kit according to the chart below. Specify cylinder finish where noted. Available cylinder finishes include ONLY 264 (Satin Chrome), 040 (Satin Brass) and 112 (Venetian Bronze). See finish chart on page 194 for cylinder finish recommendations.

<b>ACT1</b>	<b>1 3/4"</b>	<b>2"</b>	<b>2 1/4"</b>	<b>2 3/8"</b>	<b>2 1/2"</b>	<b>2 3/4"</b>	<b>List Price</b>
All others	MP000.xxx.ACTD	MP000.xxx.ACTD	MP000.xxx.ACTE	MP000.xxx.ACTF	MP000.xxx.ACTG	MP000.xxx.ACTG	\$120
Bismark, Kensington, Lakeshore	MP000.xxx.ACTD	MP000.xxx.ACTE	MP000.xxx.ACTE	MP000.xxx.ACTF	MP000.xxx.ACTG	MP000.xxx.ACTI	\$120
<b>PAT1</b>	<b>1 3/4"</b>	<b>2"</b>	<b>2 1/4"</b>	<b>2 3/8"</b>	<b>2 1/2"</b>	<b>2 3/4"</b>	
All others	MP000.xxx.PATJ	MP000.xxx.PATJ	MP000.xxx.PATK	MP000.xxx.PATL	MP000.xxx.PATM	MP000.xxx.PATM	\$25
Bismark, Kensington, Lakeshore	MP000.xxx.PATJ	MP000.xxx.PATK	MP000.xxx.PATK	MP000.xxx.PATL	MP000.xxx.PATM	MP000.xxx.PATO	\$25
<b>FD Sets</b>	<b>1 3/4" to 2 1/4"</b>			<b>2 3/8" to 2 3/4"</b>			
	MP000.000.FDPTP			MP000.000.FDPTQ			\$25
<b>FDP Sets</b>	<b>1 3/4" to 2 1/4"</b>			<b>2 3/8" to 2 3/4"</b>			
	MP000.000.FDPTP			MP000.000.FDPTQ			\$25

**Included w/ standard sets**

ACT kits include: 8mm to 7.3mm Conversion Spindle, Keyed Cylinder, and Cylinder Installation Hardware  
 PAT kits include: 8mm to 7.3mm Conversion Spindle, Patio Cylinder, and Cylinder Installation Hardware  
 FDPTP kits include: 8mm to 7.3mm Conversion Spindle

