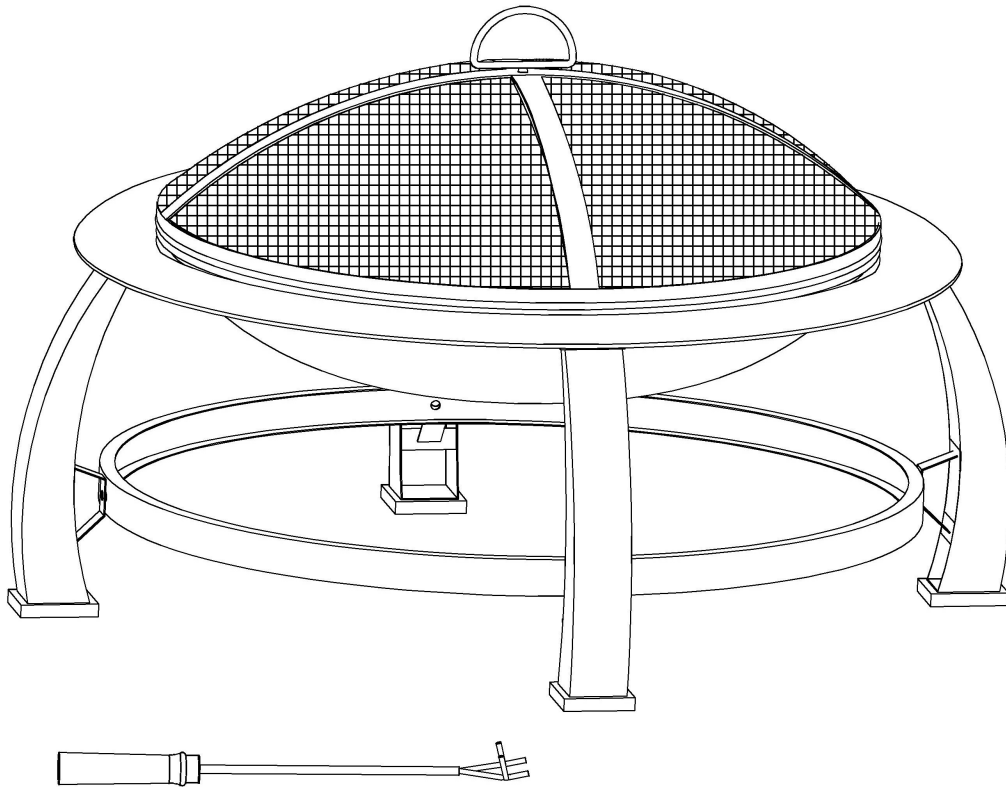




Wood Burning Firepit With Cooking Grill

MODEL #YFP-235



ATTACH YOUR RECEIPT HERE

Serial Number _____ **Purchase Date** _____



Questions, problems, missing parts? Before returning to your retailer, call our customer service department at **1-888-775-1330**, 8 a.m. - 4 p.m., PST, Monday - Friday.

Assembly Instructions

Product Name: Fire pit (YFP-235)

⚠️ WARNINGS:

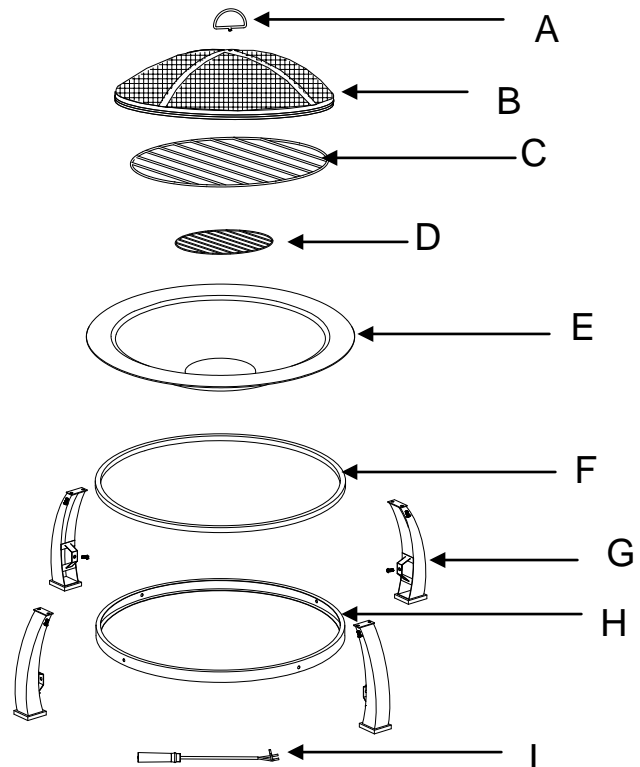
- This fire bowl is intended for outdoor use only.
- This fire bowl is intended for burning wood logs only. Do not burn coal, leaves, or other combustible materials in the bowl.
- Not for use by children. Keep children and pets away from this fire bowl.
- When in use, the handle on the mesh cover can reach extremely high temperatures that can cause serious injury to an unprotected hand. Protective gloves and long-handled tools are recommended for use with this fire bowl.
- Never leave the burning fire bowl unattended, and always extinguish the fire completely before leaving the fire bowl.
- Do not use on a wooden deck or combustible surface such as grass, leaves, mulch, etc.
- Do not use fire bowl on heat-sensitive or combustible structures.
- Check local fire regulations and municipal by-laws for information regarding the safe use of this product.
- Read all safety guidelines, warnings, instructions, and operating rules carefully before assembling and using this product.
- Some parts may contain sharp edges—as noted in the manual. Wear protective gloves if necessary during assembly and use.

PARTS LIST

No.	PARTS	Qty
A	Handle	1
B	Mesh Cover	1
C	Cooking Grill	1
D	Wood grate	1
E	Fire Bowl	1
F	Upper Ring	1
G	Legs	4
H	Lower Ring	1
I	Poker	1

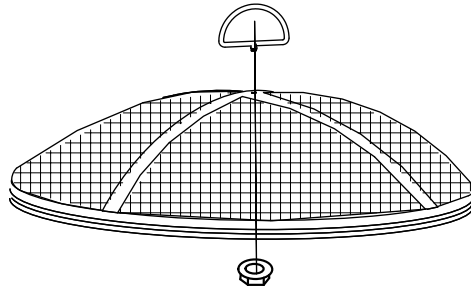
HARDWARE LIST

No.	Hardware	Qty
AA	M6*10mm Bolt	12
BB	M6 Nut	1

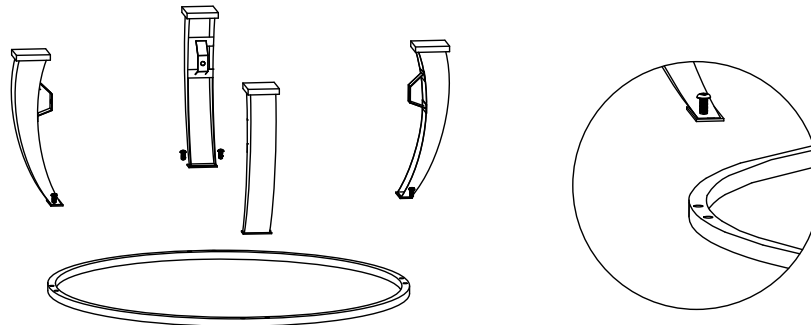


Note: You will need a screwdriver to complete the assembly.

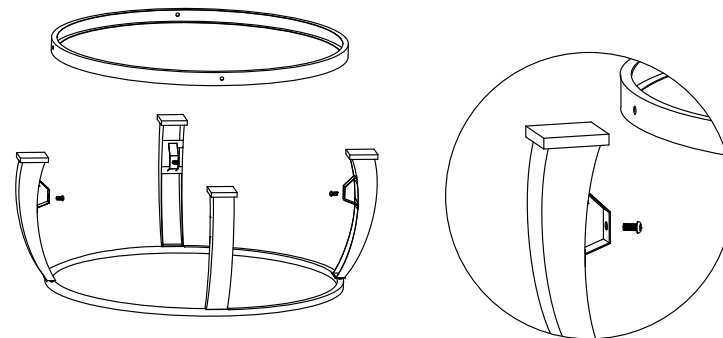
Step 1: Attach Handle (A) to Mesh Cover (B) using Nut (BB). Fully tighten the nut.



Step 2: Attach Legs (G) to Upper Ring (F) using M6 x 10mm Bolts (AA). Do not tighten the bolts until all of them are placed correctly.



Step 3: Attach Lower Ring (H) to Legs (G) using M6 x 10mm Bolts (AA), tighten all the hardware.



Step 4: Place Fire Bowl (E) on the assembled base, put Wood Grate (D), Cooking Grill (C) and Mesh Cover (B) on the fire bowl in order. Keep Poker (I) near the fire pit for use anytime. Now the fire pit is ready for use.

