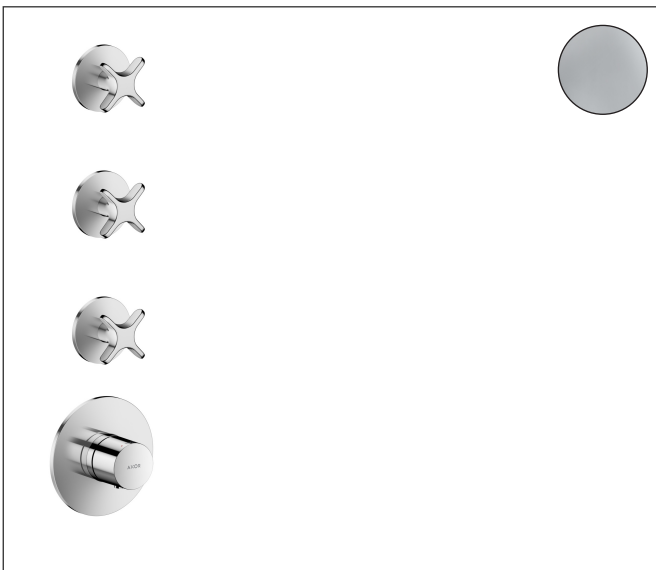


Brand AXOR
 Art. Name **AXOR One** Thermostatic Module Trim with 3 Volume Controls, Cross Handle
 Art. Nr. 48713001
 Surface Chrome
 Pos. 1

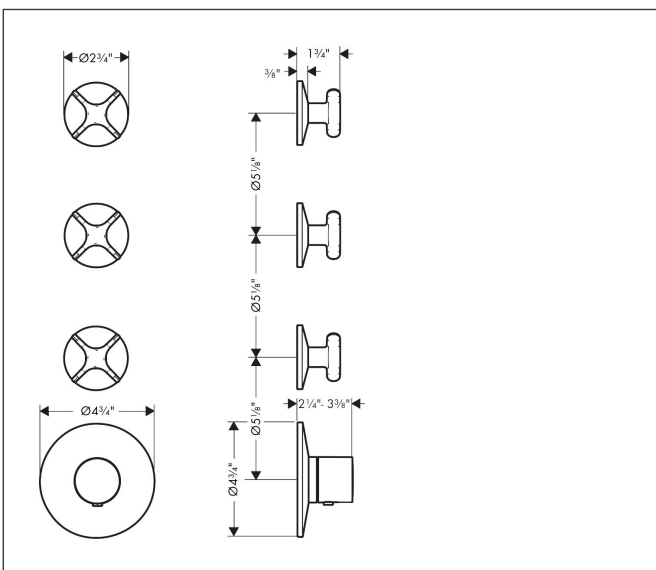
Product Picture



Features

- Consists of: shower thermostat, shut-off valve
- 3 outlets (no shared function)
- Thermostat cartridge
- Maximum flow rate at 45 psi: 8.5 GPM
- Maximum flow rate with restrictor (gpm) at 80psi: 1.75 GPM
- Combination of thermostat with shut-off valve and Quattro diverter valve for controlling 3 consumers
- Suitable for horizontal and vertical installation
- Safety stop at 100 °F

Drawing

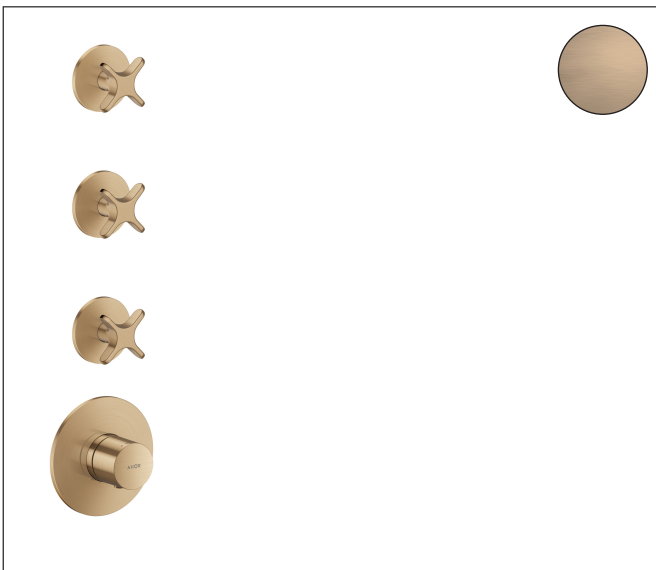


Technology



Brand	AXOR
Art. Name	AXOR One Thermostatic Module Trim with 3 Volume Controls, Cross Handle
Art. Nr.	48713141
Surface	Brushed Bronze
Pos.	1

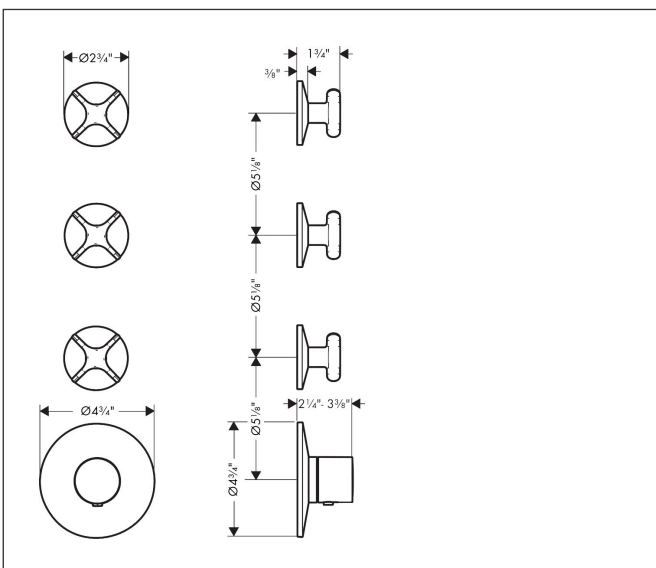
Product Picture



Features

- Consists of: shower thermostat, shut-off valve
- 3 outlets (no shared function)
- Thermostat cartridge
- Maximum flow rate at 45 psi: 8.5 GPM
- Maximum flow rate with restrictor (gpm) at 80psi: 1.75 GPM
- Combination of thermostat with shut-off valve and Quattro diverter valve for controlling 3 consumers
- Suitable for horizontal and vertical installation
- Safety stop at 100 °F

Drawing

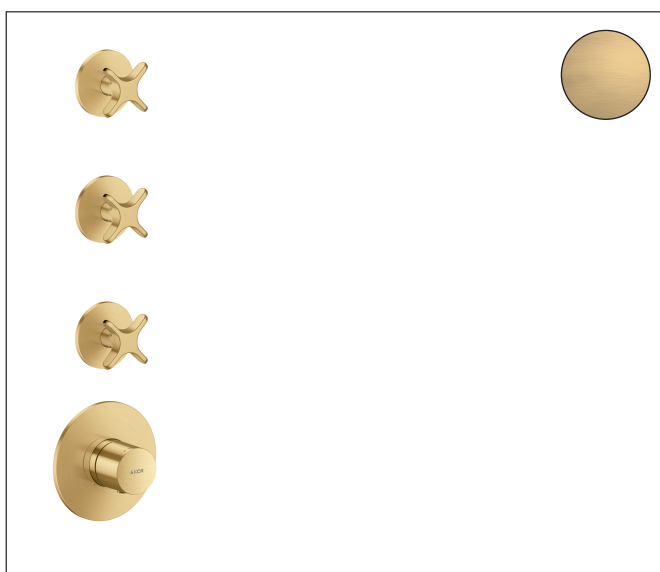


Technology



Brand AXOR
 Art. Name **AXOR One** Thermostatic Module Trim with 3 Volume Controls, Cross Handle
 Art. Nr. 48713251
 Surface Brushed Gold Optic
 Pos. 1

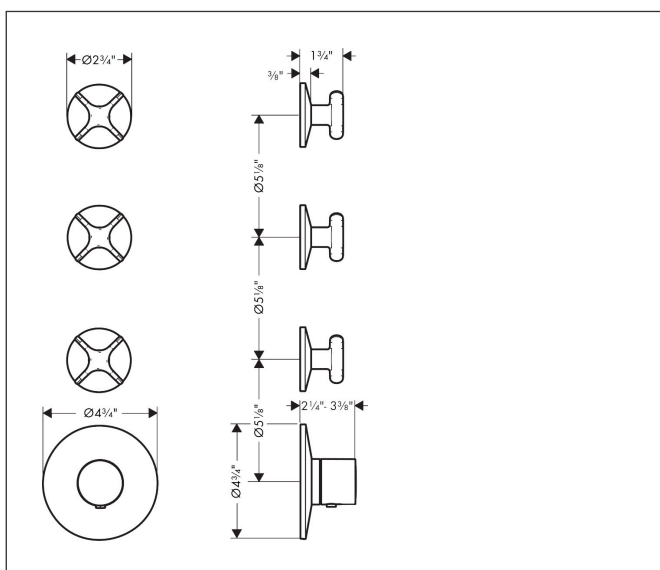
Product Picture



Features

- Consists of: shower thermostat, shut-off valve
- 3 outlets (no shared function)
- Thermostat cartridge
- Maximum flow rate at 45 psi: 8.5 GPM
- Maximum flow rate with restrictor (gpm) at 80psi: 1.75 GPM
- Combination of thermostat with shut-off valve and Quattro diverter valve for controlling 3 consumers
- Suitable for horizontal and vertical installation
- Safety stop at 100 °F

Drawing

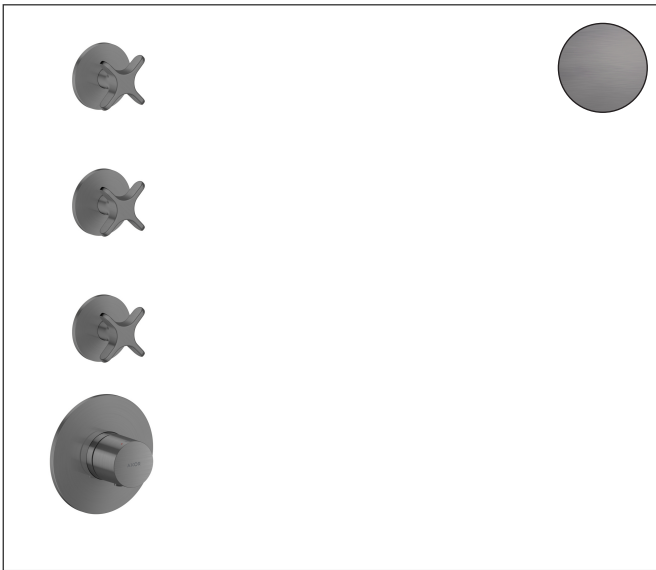


Technology



Brand AXOR
 Art. Name **AXOR One** Thermostatic Module Trim with 3 Volume Controls, Cross Handle
 Art. Nr. 48713341
 Surface Brushed Black Chrome
 Pos. 1

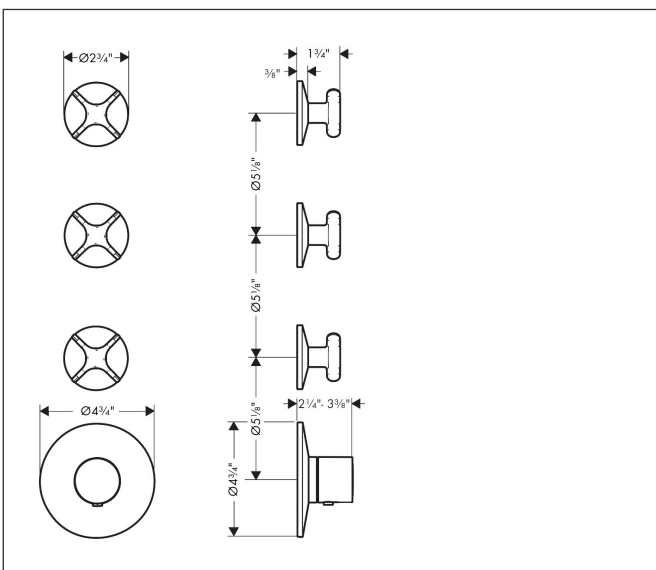
Product Picture



Features

- Consists of: shower thermostat, shut-off valve
- 3 outlets (no shared function)
- Thermostat cartridge
- Maximum flow rate at 45 psi: 8.5 GPM
- Maximum flow rate with restrictor (gpm) at 80psi: 1.75 GPM
- Combination of thermostat with shut-off valve and Quattro diverter valve for controlling 3 consumers
- Suitable for horizontal and vertical installation
- Safety stop at 100 °F

Drawing

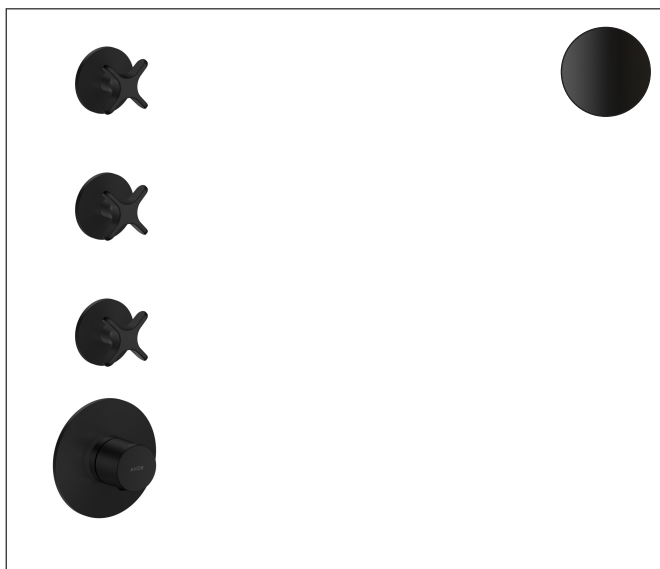


Technology



Brand AXOR
 Art. Name **AXOR One** Thermostatic Module Trim with 3 Volume Controls, Cross Handle
 Art. Nr. 48713671
 Surface Matte Black
 Pos. 1

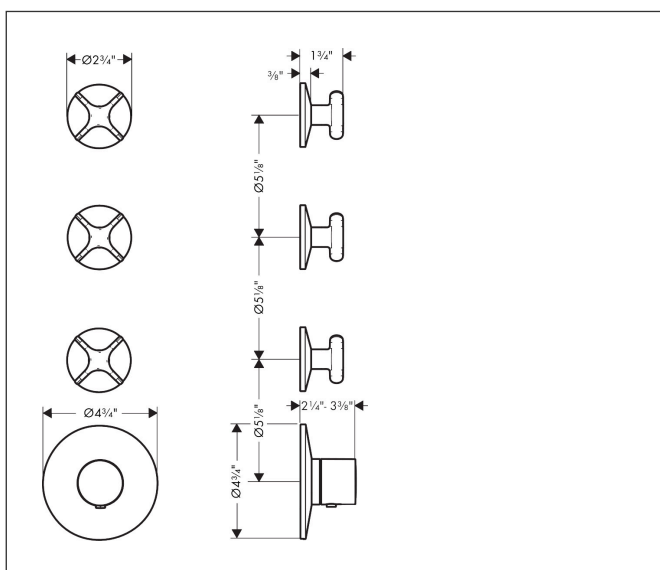
Product Picture



Features

- Consists of: shower thermostat, shut-off valve
- 3 outlets (no shared function)
- Thermostat cartridge
- Maximum flow rate at 45 psi: 8.5 GPM
- Maximum flow rate with restrictor (gpm) at 80psi: 1.75 GPM
- Combination of thermostat with shut-off valve and Quattro diverter valve for controlling 3 consumers
- Suitable for horizontal and vertical installation
- Safety stop at 100 °F

Drawing

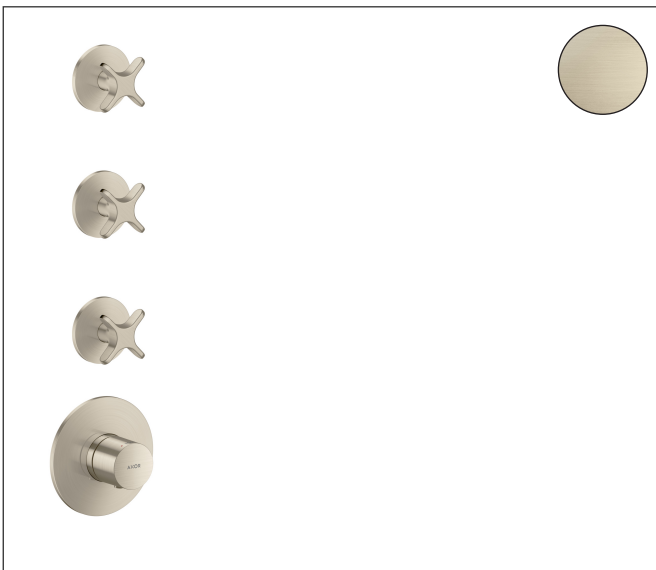


Technology



Brand AXOR
 Art. Name **AXOR One** Thermostatic Module Trim with 3 Volume Controls, Cross Handle
 Art. Nr. 48713821
 Surface Brushed Nickel
 Pos. 1

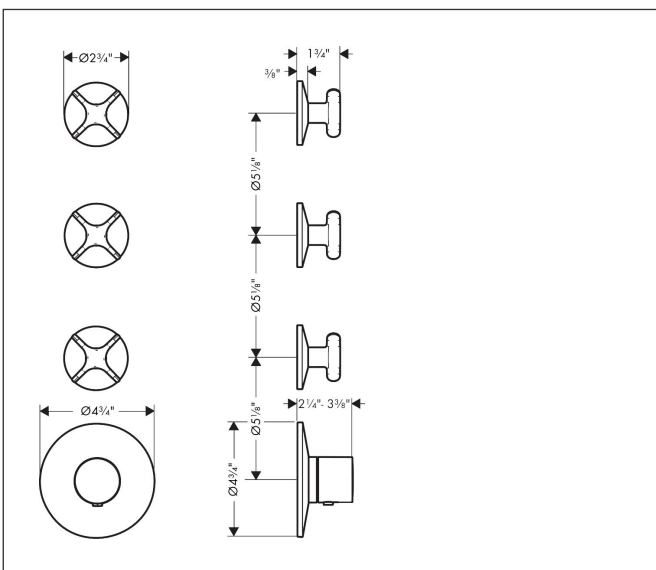
Product Picture



Features

- Consists of: shower thermostat, shut-off valve
- 3 outlets (no shared function)
- Thermostat cartridge
- Maximum flow rate at 45 psi: 8.5 GPM
- Maximum flow rate with restrictor (gpm) at 80psi: 1.75 GPM
- Combination of thermostat with shut-off valve and Quattro diverter valve for controlling 3 consumers
- Suitable for horizontal and vertical installation
- Safety stop at 100 °F

Drawing



Technology

