

Brand	AXOR
Art. Name	AXOR ShowerSphere Showerhead 250 1-Jet 2.5 GPM with Showerarm
Art. Nr.	39754001
Surface	Chrome
Pos.	1

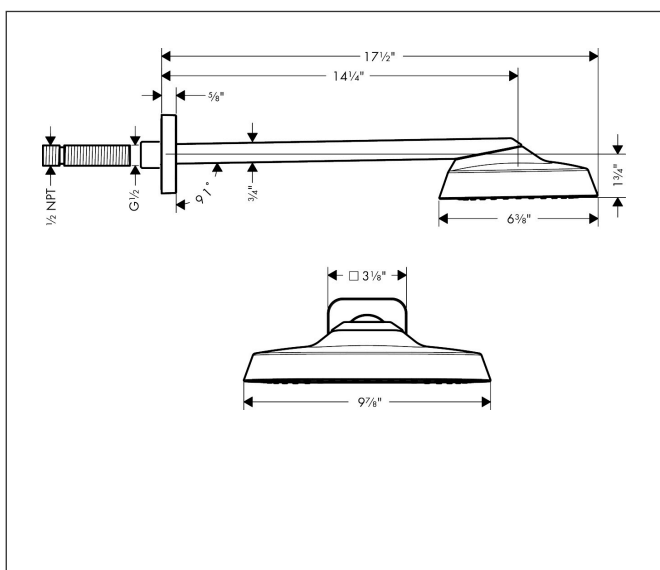
Product Picture



Features

- Consists of: showerhead, showerarm
- Showerhead size: 10" x 6"
- Spray type: Rain
- FlexPower: nozzles automatically adjust to water pressure by opening and closing
- QuickClean+: avoid limescale deposits thanks to the elasticity of the nozzles
- Maximum flow rate : 2.5 GPM
- Projection: 14 1/4"
- Showerhead removable for cleaning

Drawing



Technology



Spray Types

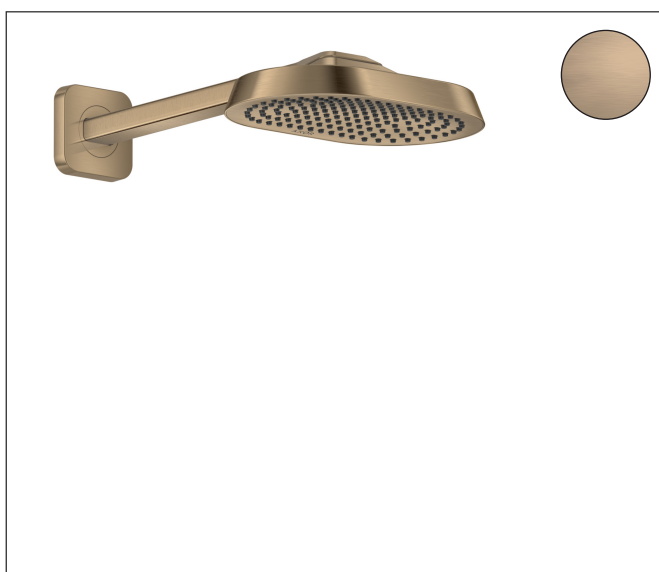


Codes / Standards

- cUPC/IAPMO/3016/showers/2,5gpm

Brand	AXOR
Art. Name	AXOR ShowerSphere Showerhead 250 1-Jet 2.5 GPM with Showerarm
Art. Nr.	39754141
Surface	Brushed Bronze
Pos.	1

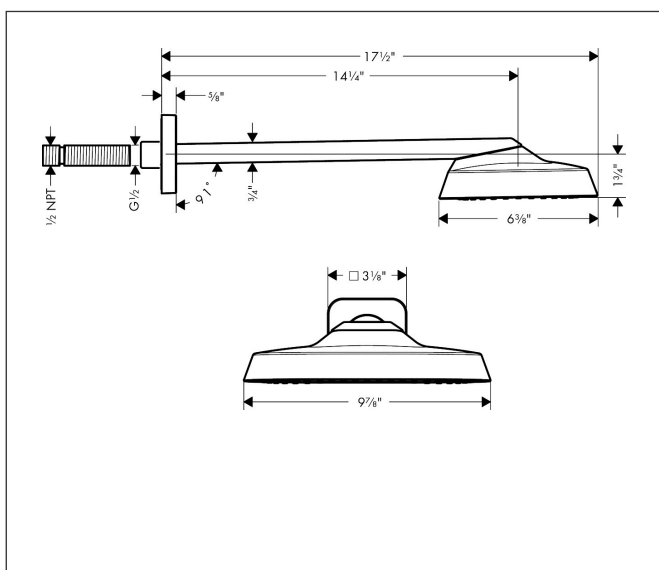
Product Picture



Features

- Consists of: showerhead, showerarm
- Showerhead size: 10" x 6"
- Spray type: Rain
- FlexPower: nozzles automatically adjust to water pressure by opening and closing
- QuickClean+: avoid limescale deposits thanks to the elasticity of the nozzles
- Maximum flow rate : 2.5 GPM
- Projection: 14 1/4"
- Showerhead removable for cleaning

Drawing



Technology



Spray Types

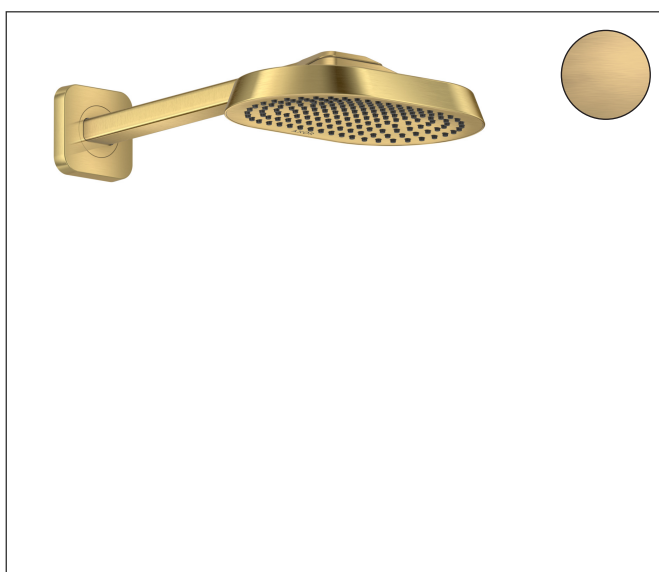


Codes / Standards

- cUPC/IAPMO/3016/showers/2,5gpm

Brand AXOR
 Art. Name **AXOR ShowerSphere** Showerhead 250 1-Jet 2.5 GPM with Showerarm
 Art. Nr. 39754251
 Surface Brushed Gold Optic
 Pos. 1

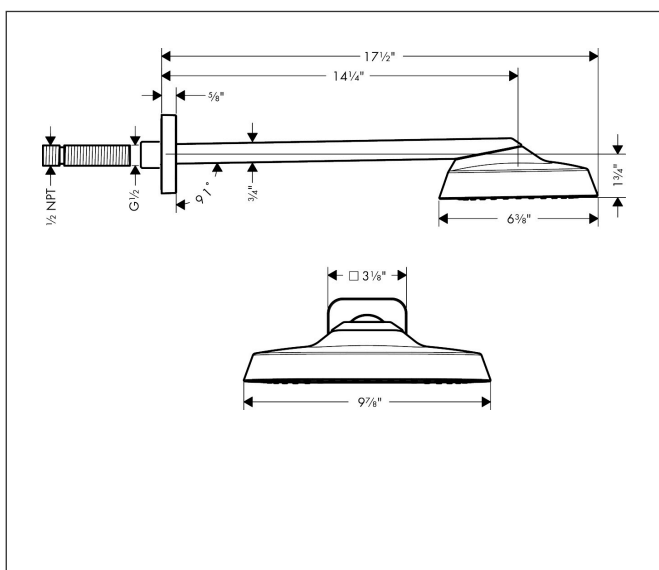
Product Picture



Features

- Consists of: showerhead, showerarm
- Showerhead size: 10" x 6"
- Spray type: Rain
- FlexPower: nozzles automatically adjust to water pressure by opening and closing
- QuickClean+: avoid limescale deposits thanks to the elasticity of the nozzles
- Maximum flow rate : 2.5 GPM
- Projection: 14 1/4"
- Showerhead removable for cleaning

Drawing



Technology



Spray Types

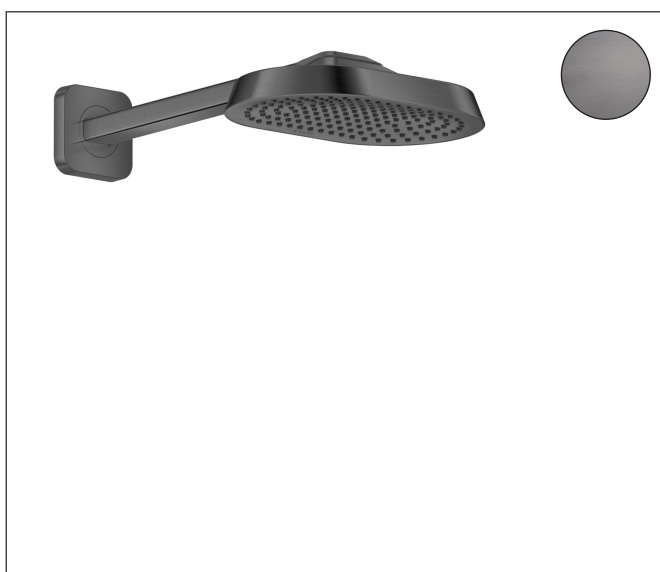


Codes / Standards

- cUPC/IAPMO/3016/showers/2,5gpm

Brand AXOR
 Art. Name **AXOR ShowerSphere** Showerhead 250 1-Jet 2.5 GPM with Showerarm
 Art. Nr. 39754341
 Surface Brushed Black Chrome
 Pos. 1

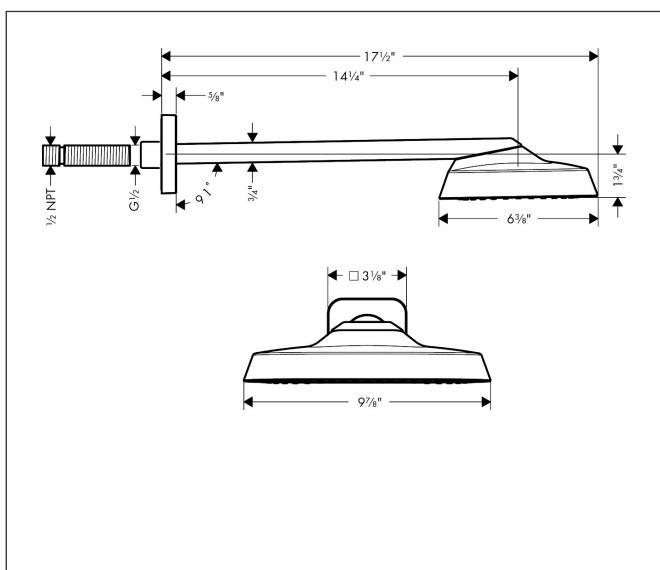
Product Picture



Features

- Consists of: showerhead, showerarm
- Showerhead size: 10" x 6"
- Spray type: Rain
- FlexPower: nozzles automatically adjust to water pressure by opening and closing
- QuickClean+: avoid limescale deposits thanks to the elasticity of the nozzles
- Maximum flow rate : 2.5 GPM
- Projection: 14 1/4"
- Showerhead removable for cleaning

Drawing



Technology



Spray Types

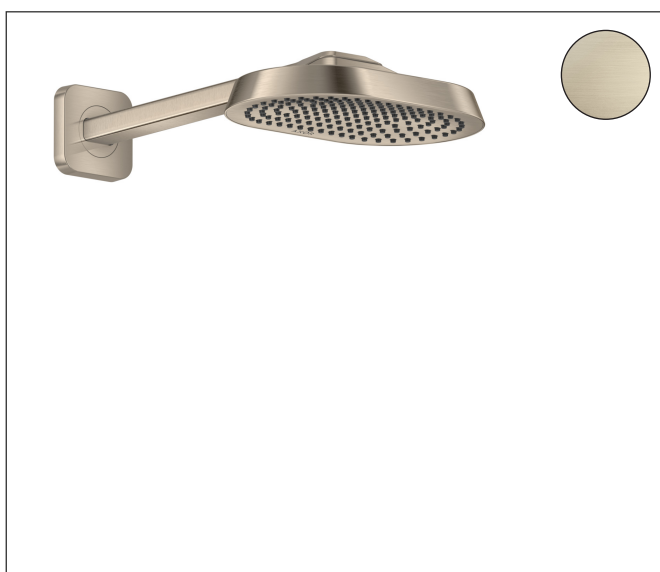


Codes / Standards

- cUPC/IAPMO/3016/showers/2,5gpm

Brand AXOR
 Art. Name **AXOR ShowerSphere** Showerhead 250 1-Jet 2.5 GPM with Showerarm
 Art. Nr. 39754821
 Surface Brushed Nickel
 Pos. 1

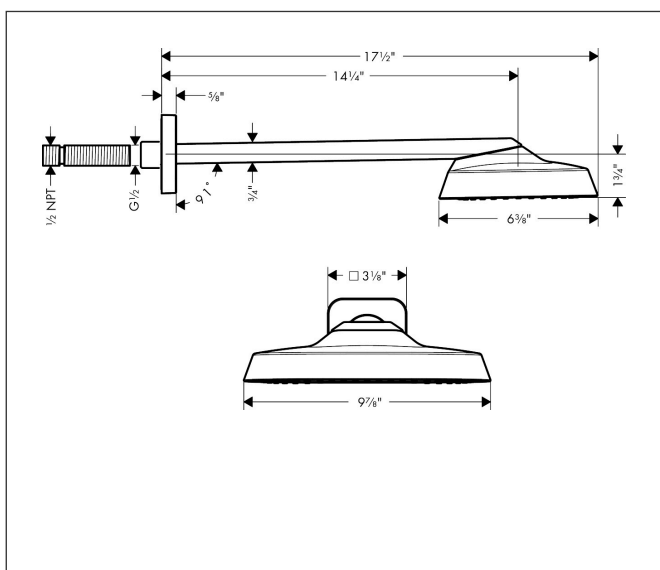
Product Picture



Features

- Consists of: showerhead, showerarm
- Showerhead size: 10" x 6"
- Spray type: Rain
- FlexPower: nozzles automatically adjust to water pressure by opening and closing
- QuickClean+: avoid limescale deposits thanks to the elasticity of the nozzles
- Maximum flow rate : 2.5 GPM
- Projection: 14 1/4"
- Showerhead removable for cleaning

Drawing



Technology



Spray Types



Codes / Standards

- cUPC/IAPMO/3016/showers/2,5gpm

Brand AXOR
 Art. Name **AXOR ShowerSphere** Showerhead 250 1-Jet 2.5 GPM with Showerarm
 Art. Nr. 39754831
 Surface Polished Nickel
 Pos. 1

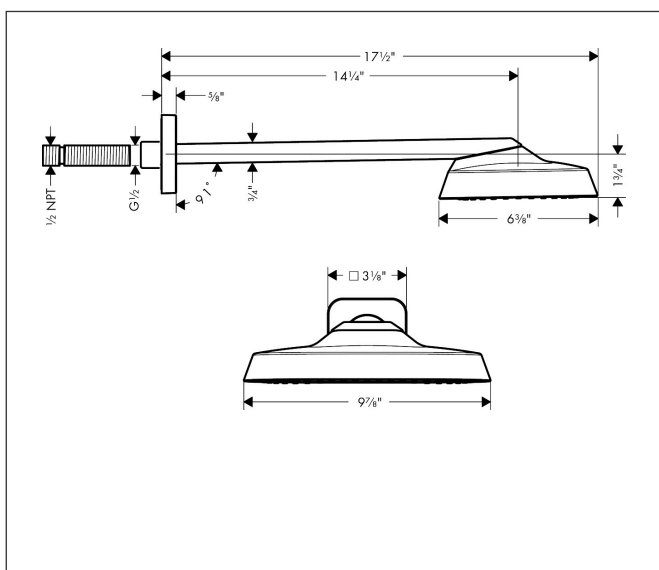
Product Picture



Features

- Consists of: showerhead, showerarm
- Showerhead size: 10" x 6"
- Spray type: Rain
- FlexPower: nozzles automatically adjust to water pressure by opening and closing
- QuickClean+: avoid limescale deposits thanks to the elasticity of the nozzles
- Maximum flow rate : 2.5 GPM
- Projection: 14 1/4"
- Showerhead removable for cleaning

Drawing



Technology



Spray Types



Codes / Standards

- cUPC/IAPMO/3016/showers/2,5gpm