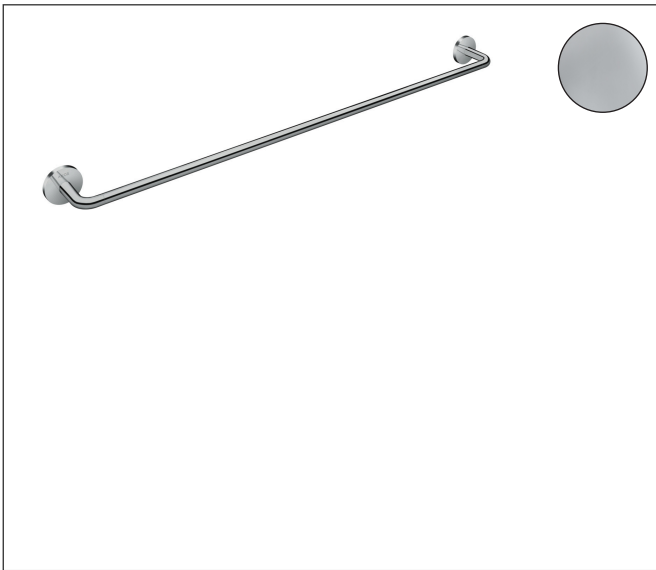


Brand AXOR
Art. Name **AXOR Universal Circular** Towel Bar, 30"
Art. Nr. 42880000
Surface Chrome
Pos. 1

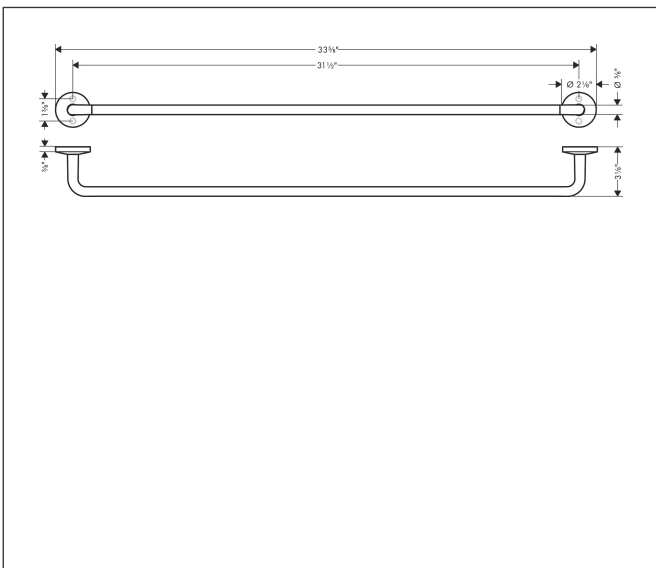
Product Picture



Features

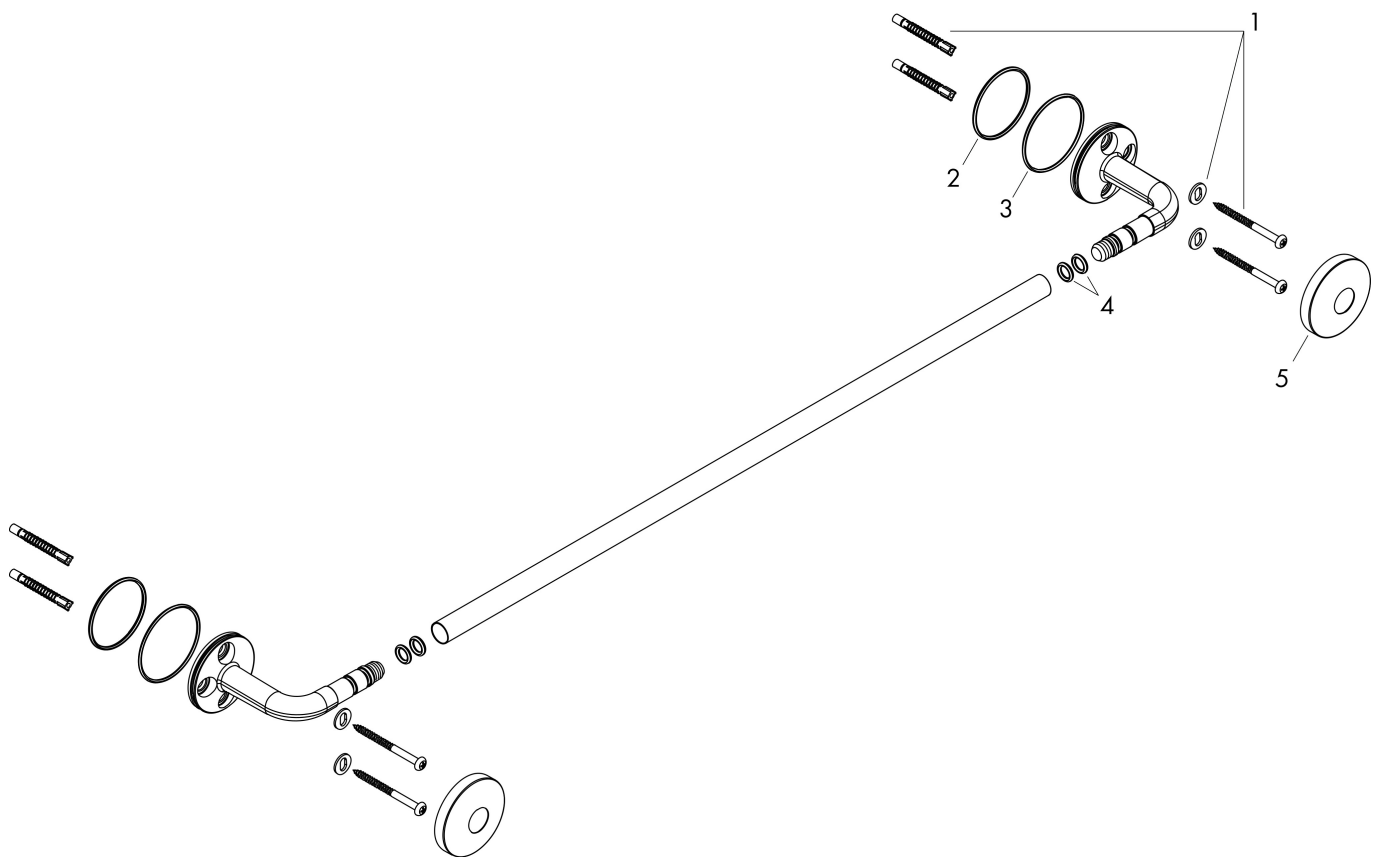
- Wall-mounted
- Metal
- Metal holder
- Fixed
- With mounting material
- Diameter drill hole: 6 mm
- Concealed fastening

Drawing



Brand AXOR
Art. Name **AXOR Universal Circular** Towel Bar, 30"
Art. Nr. 42880000
Surface Chrome
Pos. 1

Spare Parts Drawings for build year: >10/23



Brand AXOR
Art. Name **AXOR Universal Circular** Towel Bar, 30"
Art. Nr. 42880000
Surface Chrome
Pos. 1

Spare parts list for build year: >10/23

Pos.	Description	Article number
1	mounting set	96179000
2	O-ring 41x2	98212000
3	O-Ring 46x2	98195000
4	O-Ring 8x2,5	93236000
5	escutcheon	94429000