

Brand	AXOR
Art. Name	AXOR Citterio Wall-Mounted Single-Handle Faucet Trim with Base Plate, 1.2 GPM, without Pop-up Drain
Art. Nr.	39119001
Surface	Chrome
Pos.	1

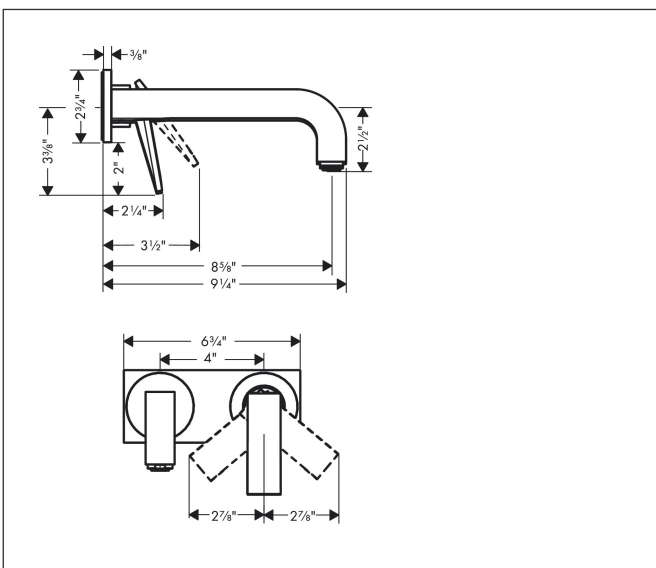
Product Picture



Features

- Consists of: Wall-mounted single-hole faucet
- Handle design: lever handle
- Spray pattern: Aerated spray
- Maximum flow rate (at 3 bar): 4.5 l/min
- Ceramic cartridge

Drawing

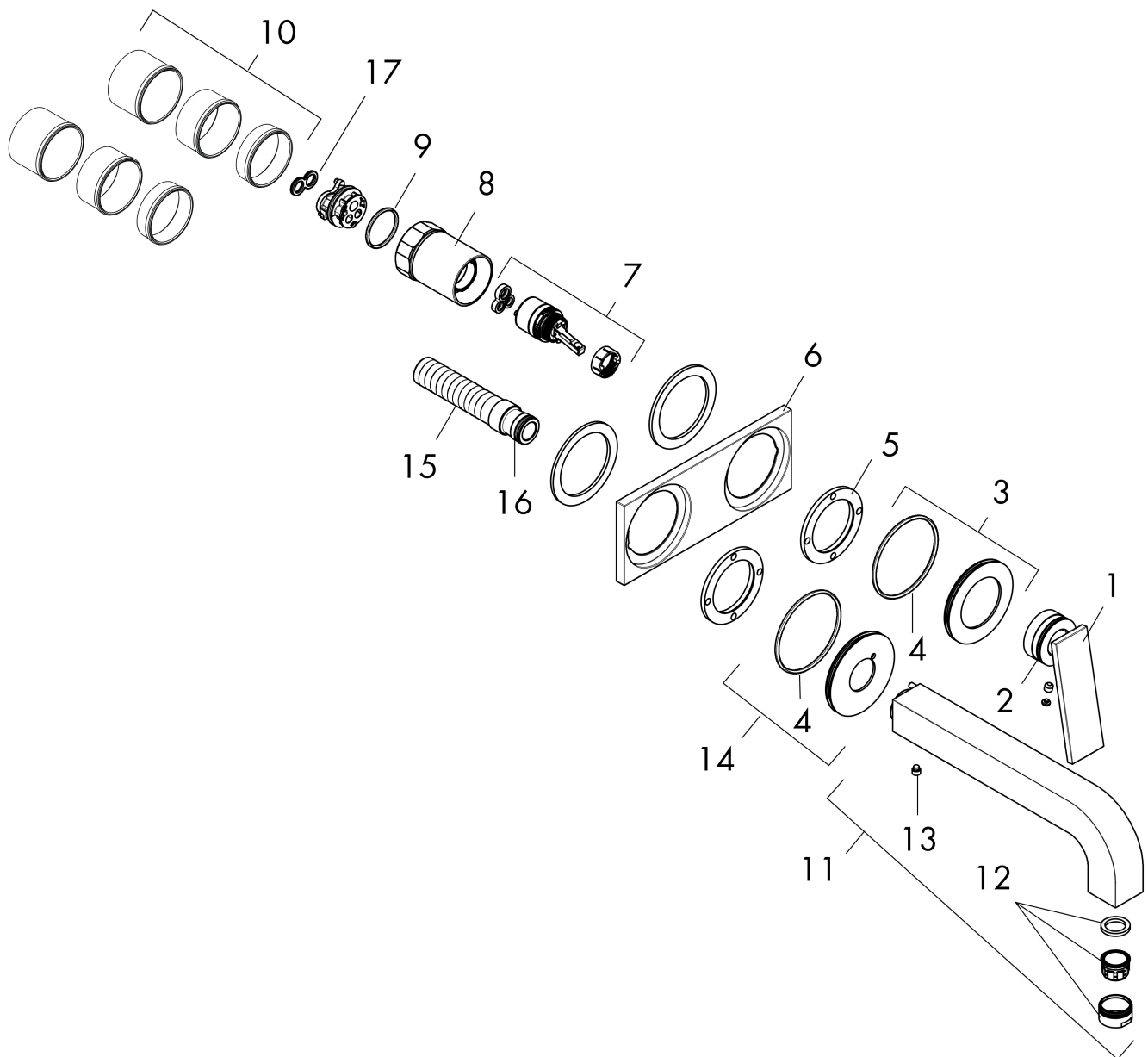


Technology



Brand	AXOR
Art. Name	AXOR Citterio Wall-Mounted Single-Handle Faucet Trim with Base Plate, 1.2 GPM, without Pop-up Drain
Art. Nr.	39119001
Surface	Chrome
Pos.	1

Spare Parts Drawings for build year: >08/21



Brand AXOR
 Art. Name **AXOR Citterio** Wall-Mounted Single-Handle Faucet Trim with Base Plate, 1.2 GPM, without Pop-up Drain
 Art. Nr. 39119001
 Surface Chrome
 Pos. 1

Spare parts list for build year: >08/21

Pos.	Description	Article number
1	handle	94320000
2	O-ring 33x1,5	98164000
3	escutcheon for handle	96912000
4	O-ring 57x2,5	98394000
5	nut	97601000
6	escutcheon	96914000
7	cartridge, assy	92900000
8	sleeve	93373000
9	O-ring 26x2	98147000
10	fixing set	97971000
11	spout 220 mm	97239000
12	aerator M24x1 (4,5 l/min)	92877000
13	hollow set screw M6x6	97660000
14	escutcheon for spout	97695000
15	connecting thread G $\frac{1}{2}$	97228000
16	O-ring 16x2,5	98134000
a	extension 25 mm	13586000