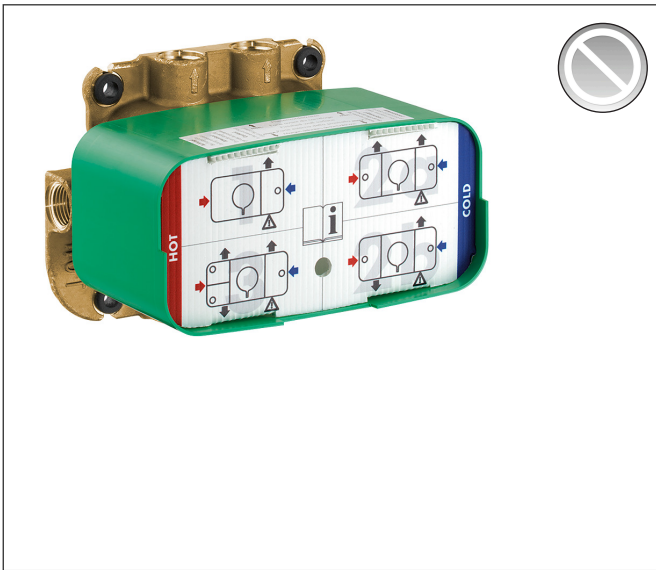


Brand AXOR
 Art. Name **AXOR One** Thermostatic Module Rough, without Service Stops
 Art. Nr. 45710181
 Pos. 1

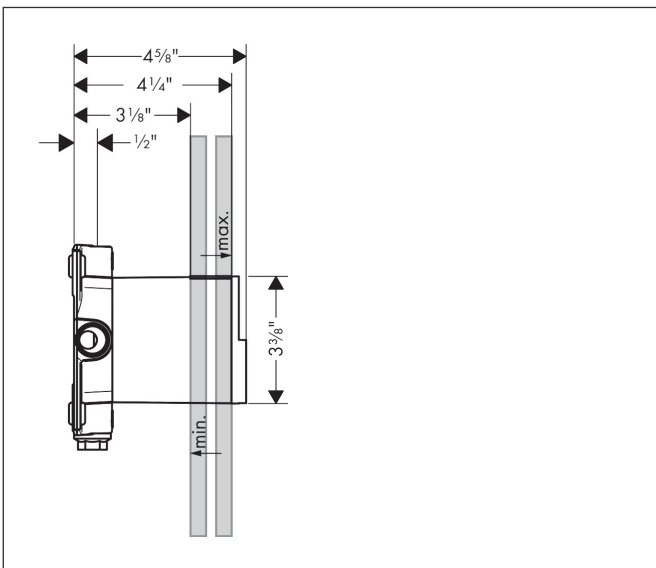
Product Picture



Features

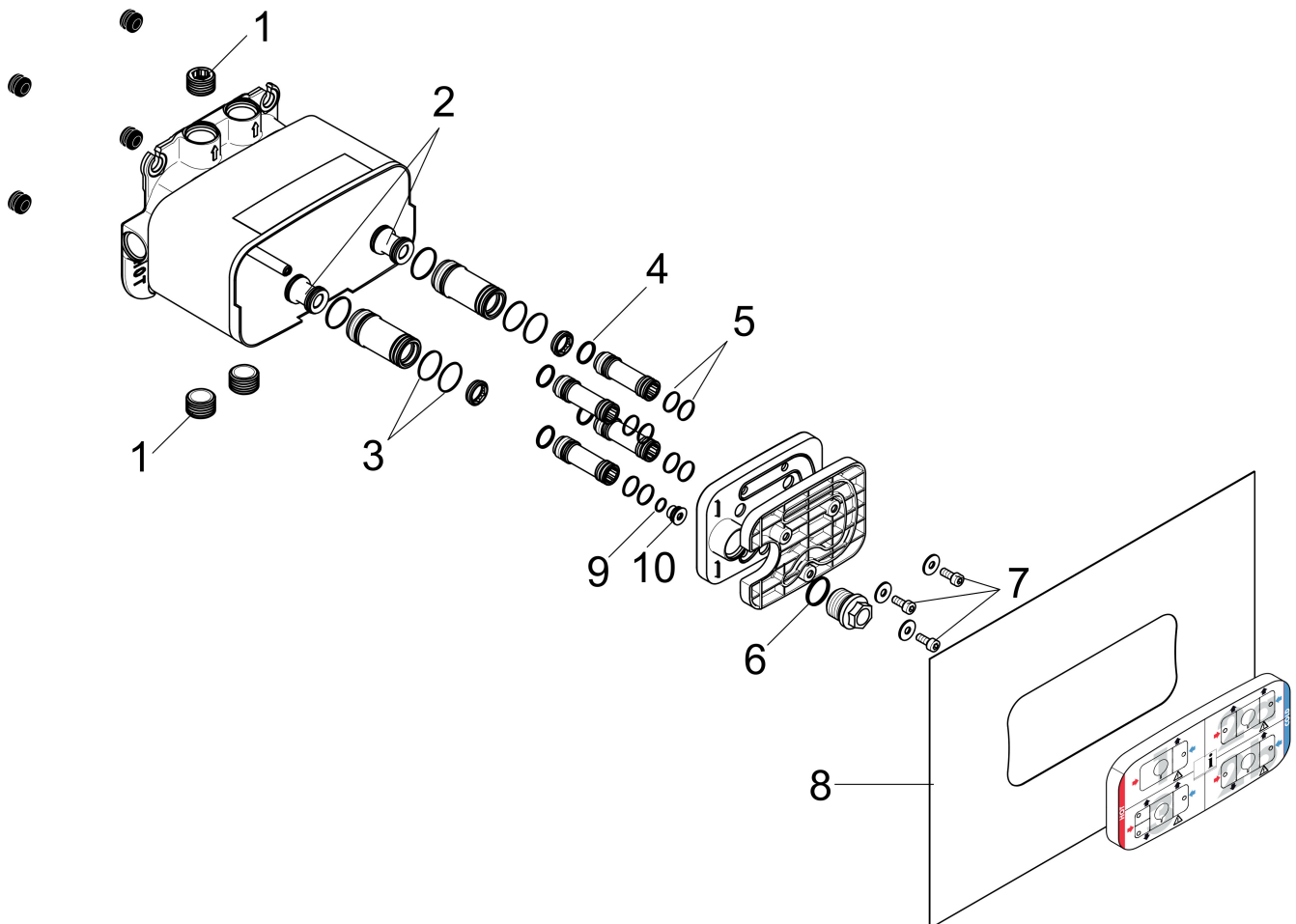
- 2 inlets / 4 outlets
- Connection thread: 1/2" NPT
- Sound-decoupled installation
- Minimum mounting depth: 80 mm
- Maximum mounting depth: 108 mm

Drawing



Brand AXOR
Art. Name **AXOR One** Thermostatic Module Rough, without Service Stops
Art. Nr. 45710181
Pos. 1

Spare Parts Drawings for build year: >07/16



Brand AXOR
Art. Name **AXOR One** Thermostatic Module Rough, without Service Stops
Art. Nr. 45710181
Pos. 1

Spare parts list for build year: >07/16

Pos.	Description	Article number
1	plug	97998001
2	noise reduction	96429000
3	O-ring 20x1,5	98197000
4	O-ring 13x2	98128000
5	O-ring 12x1,5	98430000
6	O-ring 18x2	98181000
7	hexagon socket screw M5x12	98639000
8	sealing foil	92565000
9	O-ring 9x1,5	98117000
10	plug	93017000
a	flushing unit complete	93160000