

Brand AXOR  
Art. Name **AXOR One** Diverter Trim Trio  
Art. Nr. 45772001  
Surface Chrome  
Pos. 1

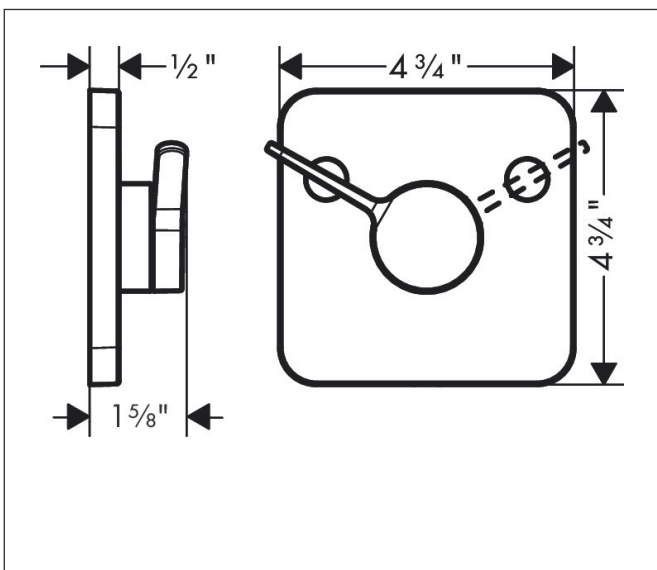
## Product Picture



## Features

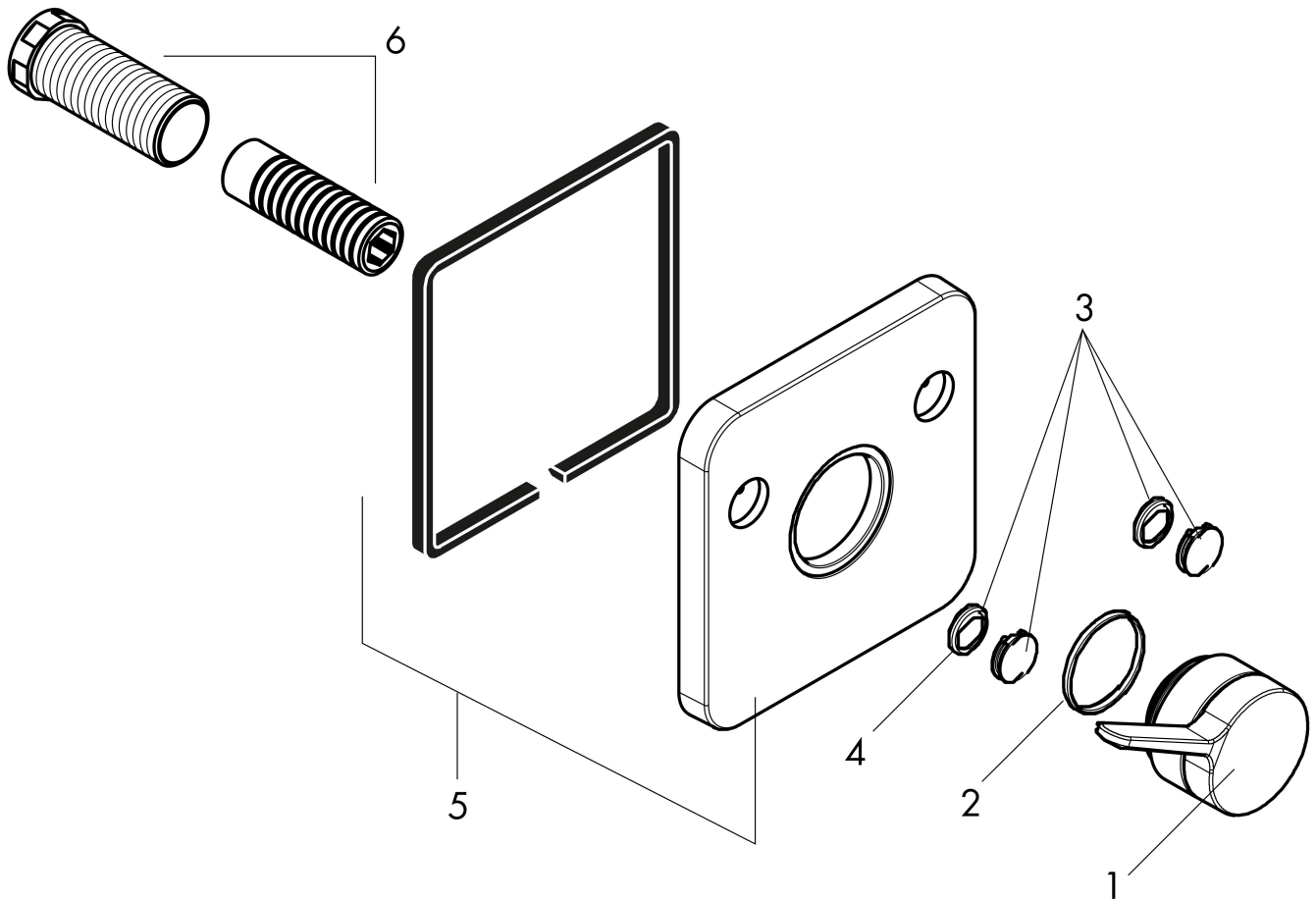
- Metal escutcheon, handle, sleeve

## Drawing



Brand AXOR  
Art. Name **AXOR One** Diverter Trim Trio  
Art. Nr. 45772001  
Surface Chrome  
Pos. 1

## Spare Parts Drawings for build year: >08/21



Brand AXOR  
Art. Name **AXOR One** Diverter Trim Trio  
Art. Nr. 45772001  
Surface Chrome  
Pos. 1

---

## Spare parts list for build year: >08/21

Pos.	Description	Article number
1	handle	94387000
2	O-ring 33x2	98154000
3	set of symbols	95238000
4	O-ring 13x2	98128000
5	escutcheon	94386000
6	fixing set	96393000