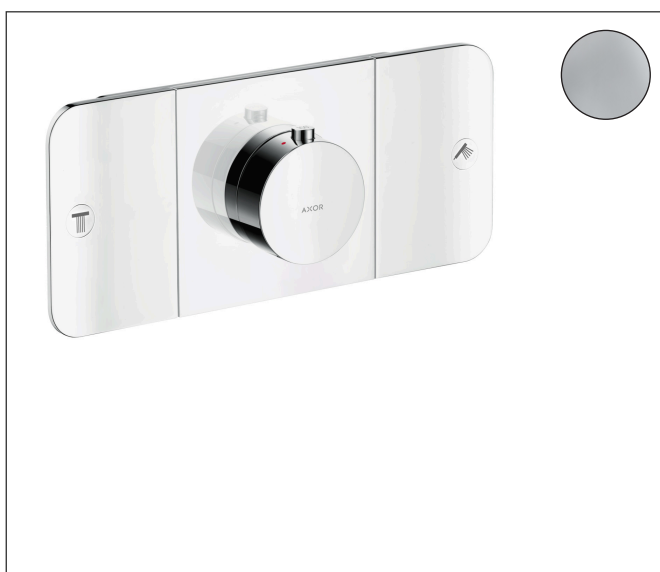


Brand AXOR
 Art. Name **AXOR One** Thermostatic Module Trim for 2 Functions
 Art. Nr. 45712001
 Surface Chrome
 Pos. 1

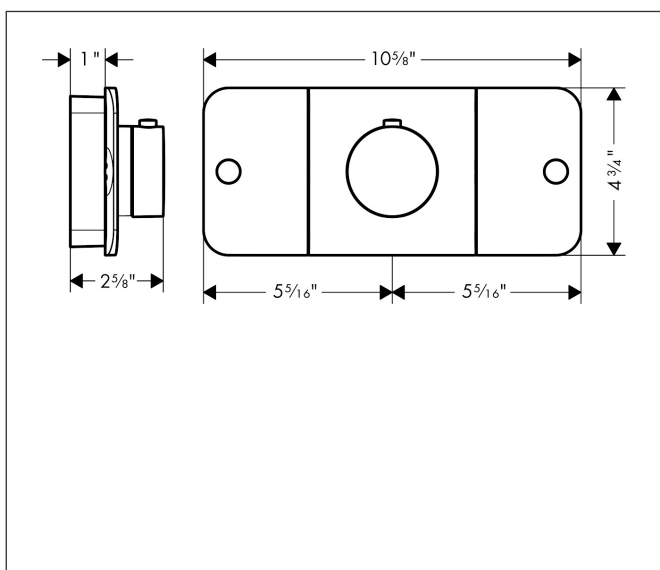
Product Picture



Features

- Multiple outlets can be run simultaneously
- Comfortable turning on / off of outlets with large Select-paddle
- Thermostat cartridge, Start/stop valve to operate the functions
- Flow rate left and right: 6.6 l/min
- Flow rate per outlet (at 3 bar): 21.9 l/min
- Safety stop at 40°C
- Thermostat is delivered with buttons Handshower and Rain large

Drawing

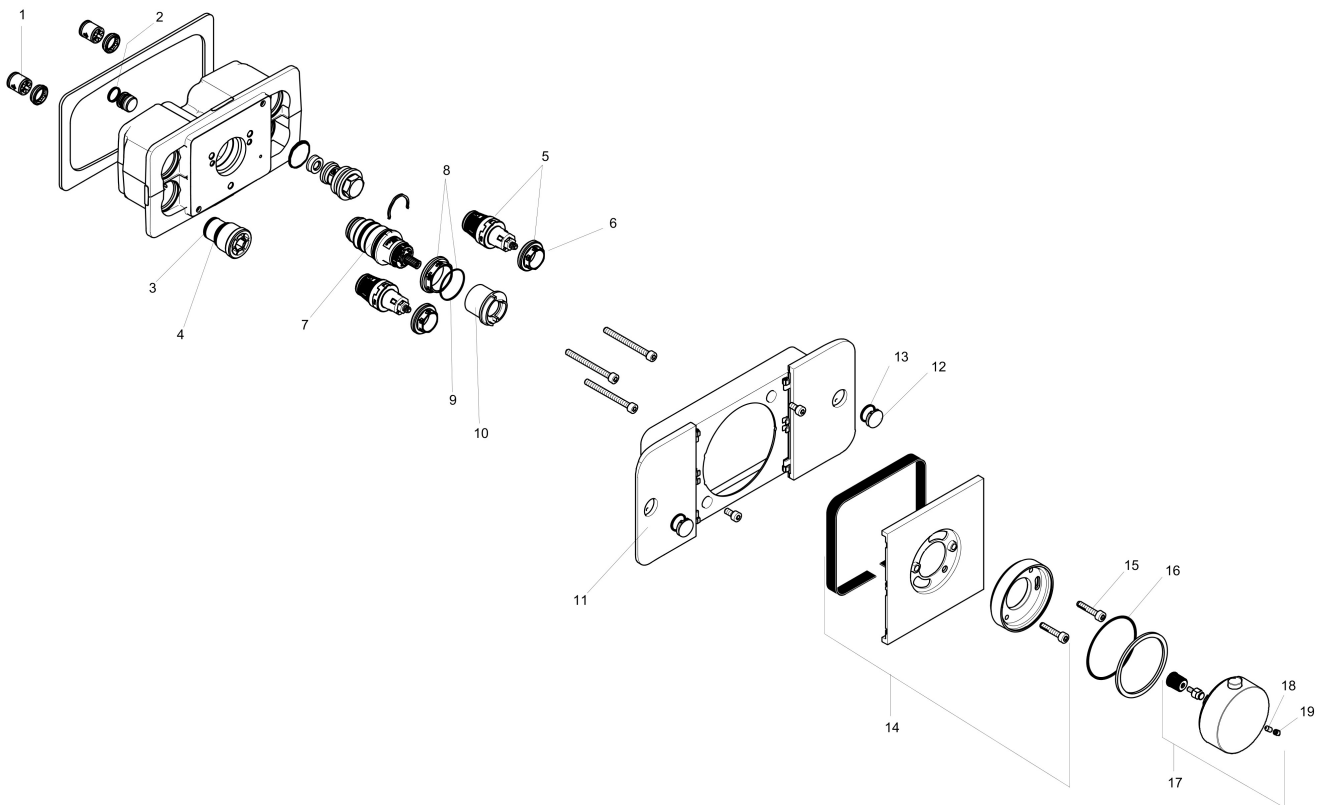


Technology



Brand AXOR
Art. Name **AXOR One** Thermostatic Module Trim for 2 Functions
Art. Nr. 45712001
Surface Chrome
Pos. 1

Spare Parts Drawings for build year: >07/16



Brand AXOR
 Art. Name **AXOR One** Thermostatic Module Trim for 2 Functions
 Art. Nr. 45712001
 Surface Chrome
 Pos. 1

Spare parts list for build year: >07/16

Pos.	Description	Article number
1	non return valve	97980000
2	O-ring 11x2	98127000
3	O-ring 17x1,5	98137000
4	O-ring 21x1,5	98219000
5	shut off unit	95758000
6	nut	98368000
7	thermostat cartridge	98282000
8	nut	98913000
9	O-ring 26x1,5	98390000
10	safety set	92614000
11	control panel	92612000
12	set of symbols	92541000
13	O-ring 13x2	98128000
14	escutcheon	92599001
15	hexagon socket screw M5x25	97664000
16	O-ring 57x2	98210000
17	handle for thermostat	92600001
18	hollow set screw M4x8	97669000
19	screw cover	95181000