

Brand AXOR
Art. Name Rough, Thermostatic Trim Exposed/Concealed Installation for 3 Functions, without Service Stops
Art. Nr. 45443181
Pos. 1

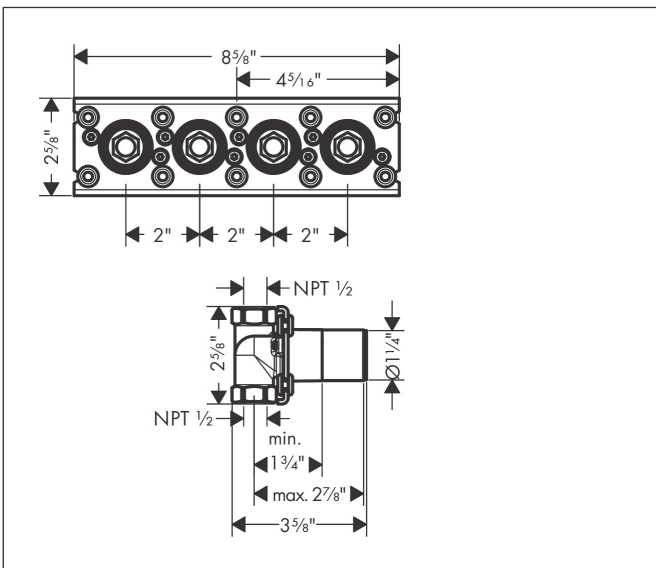
Product Picture



Features

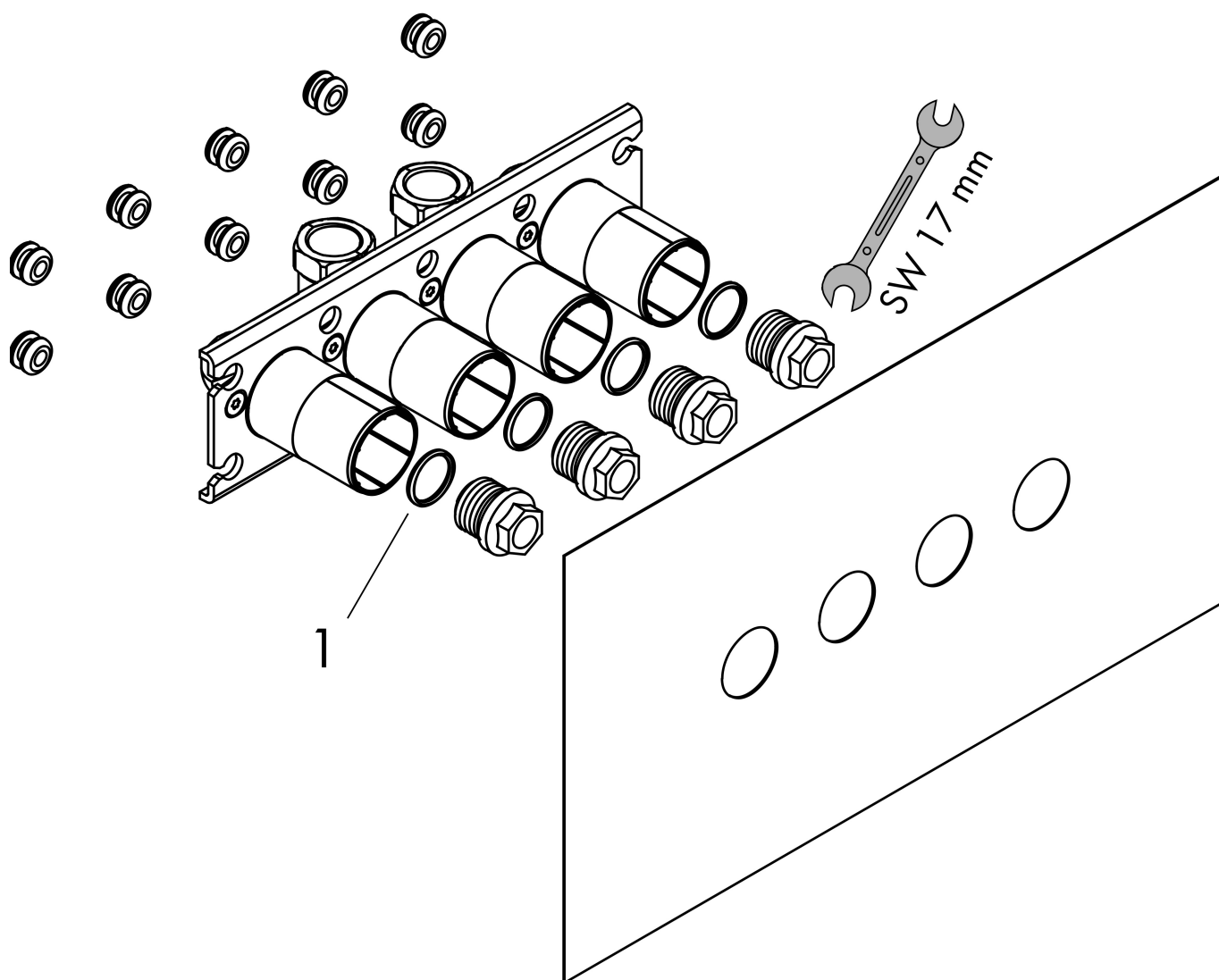
- Sound-decoupled installation

Drawing



Brand AXOR
Art. Name Rough, Thermostatic Trim Exposed/Concealed Installation for 3 Functions, without Service Stops
Art. Nr. 45443181
Pos. 1

Spare Parts Drawings for build year: >01/20



Brand AXOR
Art. Name Rough, Thermostatic Trim Exposed/Concealed Installation for 3 Functions, without Service Stops
Art. Nr. 45443181
Pos. 1

Spare parts list for build year: >01/20

Pos.	Description	Article number
1	O-ring 18x2	98181000