

AXOR MyEdition
4-Hole Roman Tub Set Trim with 1.75 GPM Handshower without Plate
 Finishes : **chrome** Part no. : **47432001**



Description

Features

- consists of: 4-Hole Roman tub filler trim, Baton handshower, Handshower holder
- maximum pull-out length of hand shower: 43 inches
- 90° ceramic valves
- Integrated double backflow prevention

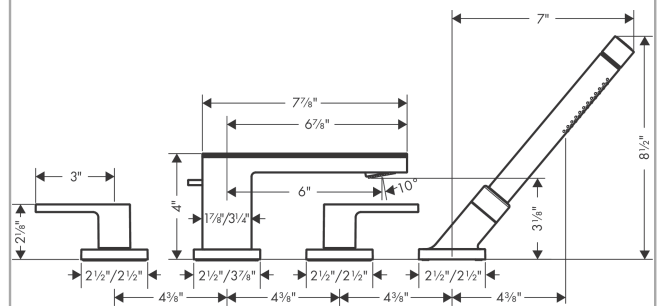
Technology



Product image



Scale drawing

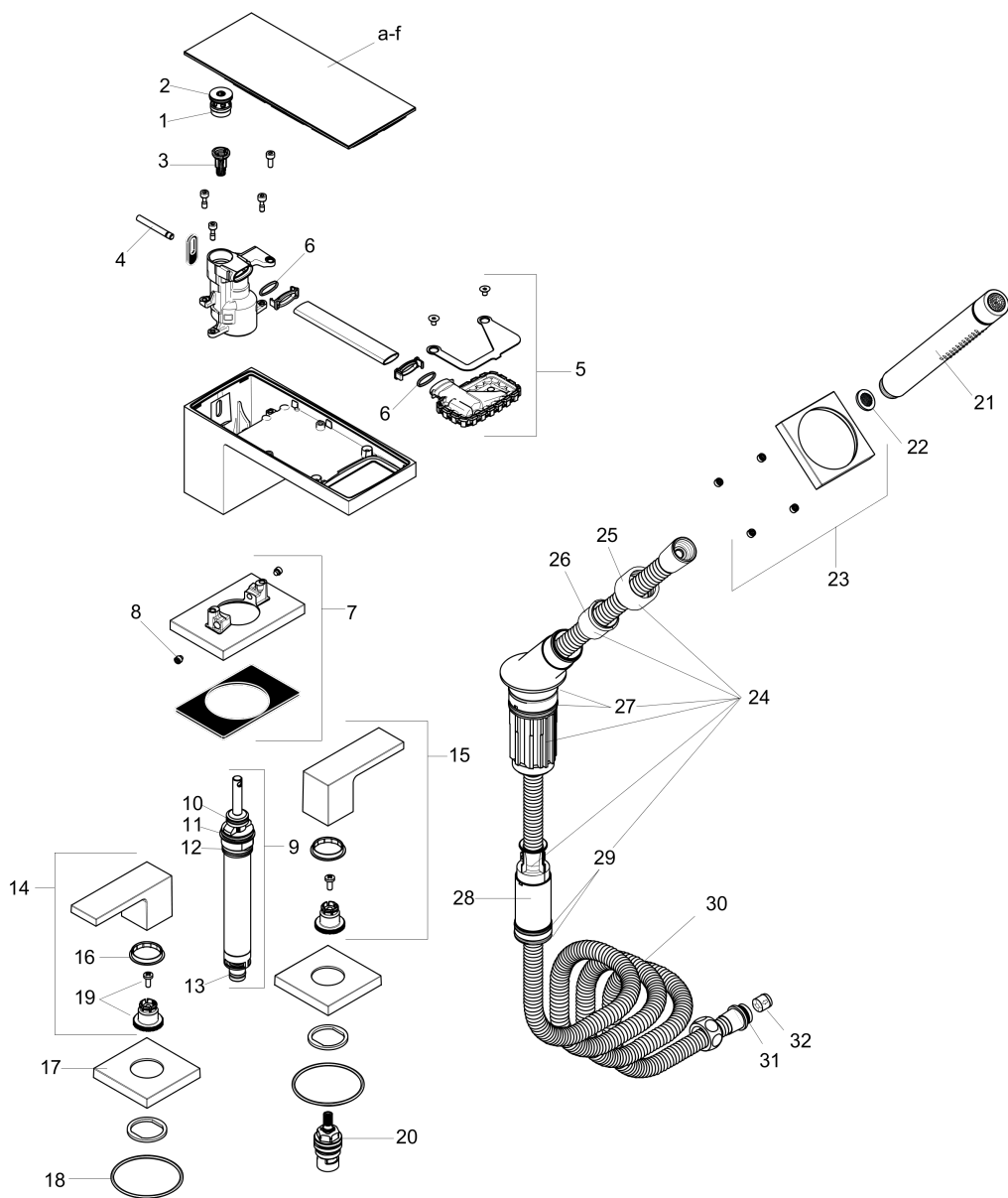


AXOR MyEdition
4-Hole Roman Tub Set Trim with 1.75 GPM Handshower without Plate
 Finishes : **chrome** Part no. : **47432001**



Exploded drawing

Year of production: >02/19



AXOR MyEdition
4-Hole Roman Tub Set Trim with 1.75 GPM Handshower without Plate
 Finishes : **chrome** Part no. : **47432001**



Spare parts list

Year of production: >02/19

Pos.	Description	Part no.	PC	PU
1	service unit	93369000	0	1
2	O-ring 17x1,5	98137000	0	1
3	filter insert	97708000	0	1
4	diverter knob	98707000	0	1
5	spray former	93376000	0	1
6	O-ring 13x1,5	98475000	0	1
7	escutcheon for spout	93368000	0	1
8	hollow set screw M6x6	97660000	0	1
9	selector	94037000	0	1
10	O-Ring 14x2,5	98189000	0	1
11	O-Ring 23x2,5	98183000	0	1
12	O-Ring 22x2	98185000	0	1
13	O-ring 9x2,5	98217000	0	1
14	handle for hot water	93364000	0	1
15	handle for cold water	93365000	0	1
16	set of color-rings cold / hot water	95819000	0	1
17	escutcheon for handle	93366000	0	1
18	O-ring 56x2	98468000	0	1
19	handle fixing set	94184000	0	1
20	shut off unit left closing	94008000	0	1
21	handshower	04486000	0	1
22	filter packing	94246000	0	1
23	escutcheon for shower holder	93367000	0	1
24	shower holder, assy	95996000	0	1
25	nut	97584000	0	1
26	insert for shower holder	96942000	0	1
27	O-ring 38x2,5	98198000	0	1
28	hose brake	98656000	0	1
29	O-Ring 28x2	98194000	0	1
30	shower hose 2,00 m	94148000	0	1
31	O-ring 11x2	98127000	0	1
32	set of non return valves DW 15	94074000	0	1
a	cover	47906000	0	1
b	cover	47909000	0	1

AXOR MyEdition
4-Hole Roman Tub Set Trim with 1.75 GPM Handshower without Plate
 Finishes : **chrome** Part no. : **47432001**



Spare parts list

Year of production: >02/19

Pos.	Description	Part no.	PC	PU
c	cover	47913000	0	1
d	cover	47916000	0	1
e	cover	47903000	0	1
f	cover	47900000	0	1