

AXOR Uno
Freestanding Tub Filler Trim with Loop Handle and 1.75 GPM Handshower
 Finishes : **chrome** Part no. : **38442001**



Description

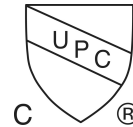
Features

- Consists of: Freestanding tub filler trim, Baton handshower, Handshower hose
- Ceramic cartridge
- Integrated double backflow prevention
- MASS/Massachusetts
- DOE/FTC
- TECQ/Texas Registered
- CEC/California/Watersaving
- WaterSense/IAPMO/7286/Showers

Technology



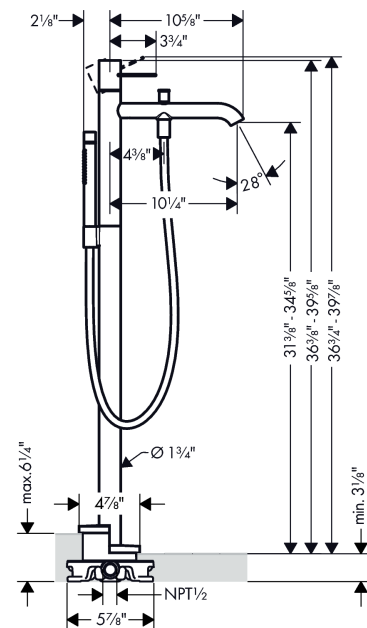
Compliance



Product image



Scale drawing

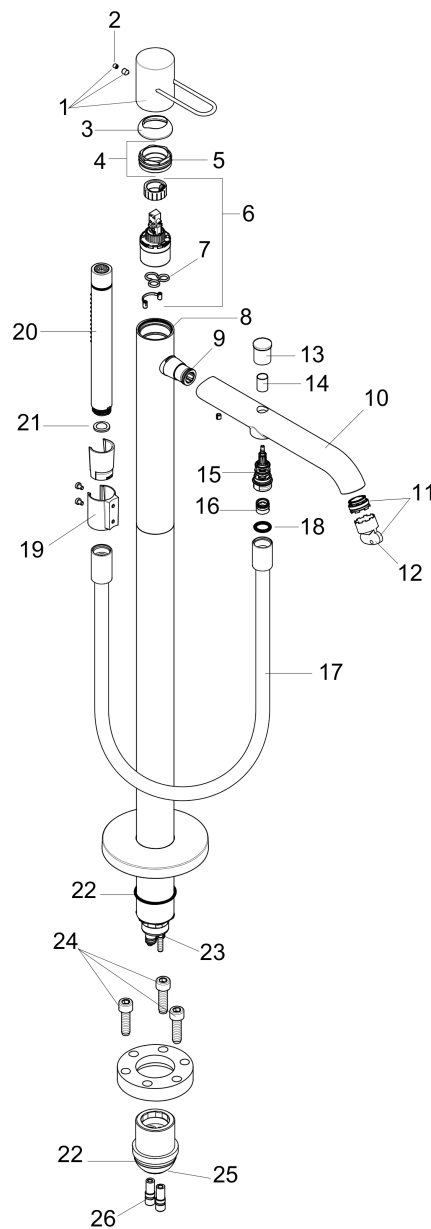


AXOR Uno
Freestanding Tub Filler Trim with Loop Handle and 1.75 GPM Handshower
 Finishes : **chrome** Part no. : **38442001**



Exploded drawing

Year of production: >07/18



AXOR Uno
Freestanding Tub Filler Trim with Loop Handle and 1.75 GPM Handshower
 Finishes : **chrome** Part no. : **38442001**



Spare parts list

Year of production: >07/18

Pos.	Description	Part no.	PC	PU
1	handle	93055000	0	1
2	screw cover	96338000	0	1
3	flange	92965000	0	1
4	nut	92966000	0	1
5	O-ring 33x1,5	98164000	0	1
6	cartridge, assy	92730000	0	1
7	seal	95008000	0	1
8	O-ring 35x2	92604000	0	1
9	O-ring 16x2	98133000	0	1
10	spout cpl.	93060000	0	1
11	aerator M24x1 C	92934000	0	1
12	special tool	95290000	0	1
13	diverter knob	98705000	0	1
14	sleeve	97979000	0	1
15	selector	97978000	0	1
16	set of non return valves DW 15	94074000	0	1
17	shower hose 1,25 m	28282000	0	1
18	seal	98058000	0	1
19	shower holder, assy	96295000	0	1
20	handshower	04486000	0	1
21	filter packing	94246000	0	1
22	O-ring 44x2,5	98162000	0	1
23	O-ring 10x1,5	98123000	0	1
24	hexagon socket screw M10x35	97670000	0	1
25	O-ring 29x3	98371000	0	1
26	O-ring 7x2	98419000	0	1
a	extension set 60 mm	97686000	0	1