

Brand AXOR  
 Art. Name Rough, Thermostatic Module Select for 3 Functions, without Service Stops  
 Art. Nr. 18311181  
 Pos. 1

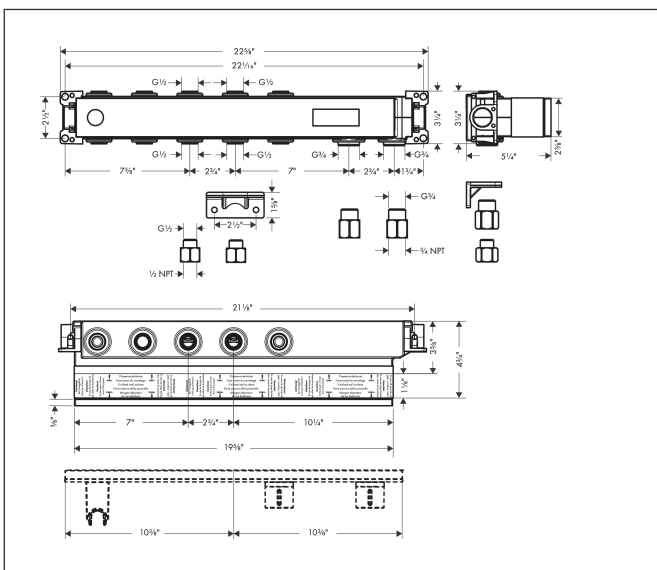
## Product Picture



## Features

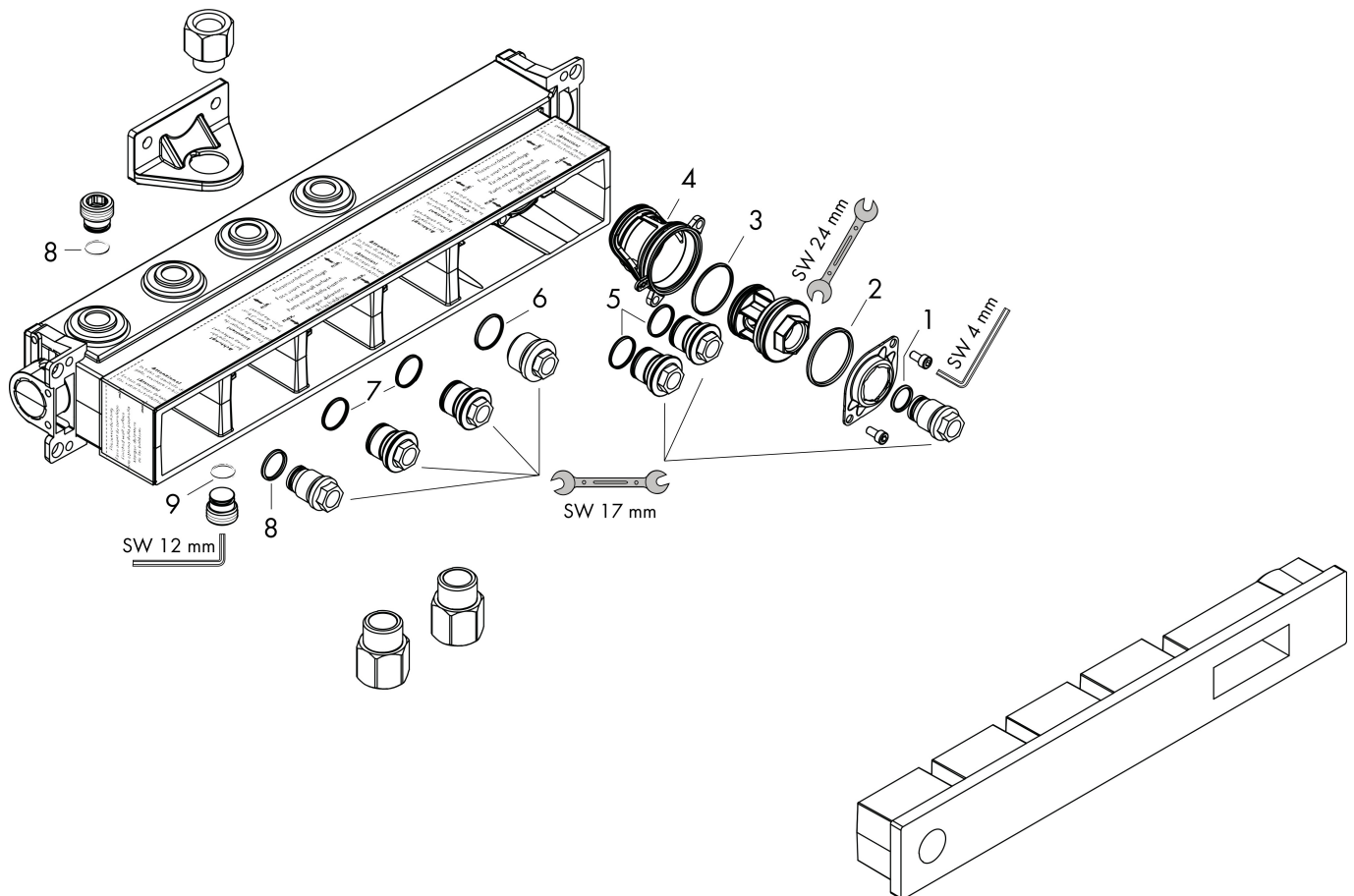
- Connection thread: 3/4" NPT
- Horizontal installation
- Sound-decoupled installation
- Minimum mounting depth: 87 mm
- Maximum mounting depth: 122 mm

## Drawing



Brand AXOR  
Art. Name Rough, Thermostatic Module Select for 3 Functions, without Service Stops  
Art. Nr. 18311181  
Pos. 1

## Spare Parts Drawings for build year: >01/20



Brand AXOR  
Art. Name Rough, Thermostatic Module Select for 3 Functions, without Service Stops  
Art. Nr. 18311181  
Pos. 1

---

## Spare parts list for build year: >01/20

<b>Pos.</b>	<b>Description</b>	<b>Article number</b>
1	O-ring 34x2	98383000
2	O-ring 15x2	98163000
3	O-ring 18x2	98181000
4	O-ring 20x2	98165000
5	O-ring 20x1,5	98197000
a	O-ring 45x2,5	98432000
b	O-ring 47x2,5	98429000
c	O-Ring 14x2,5	98189000