

AXOR Uno
AXOR Uno Single-Hole Faucet with Zero Handle without Pop-Up, Tall, 1.2 GPM
 Finishes : **chrome** Part no. : **45004001**



Description

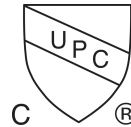
Features

- Laminar spray
- Ceramic cartridge

Technology



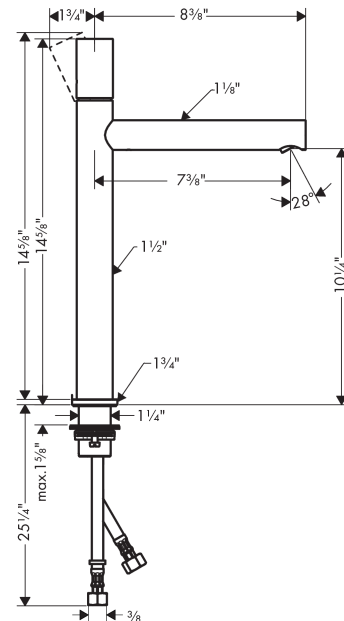
Compliance



Product image



Scale drawing

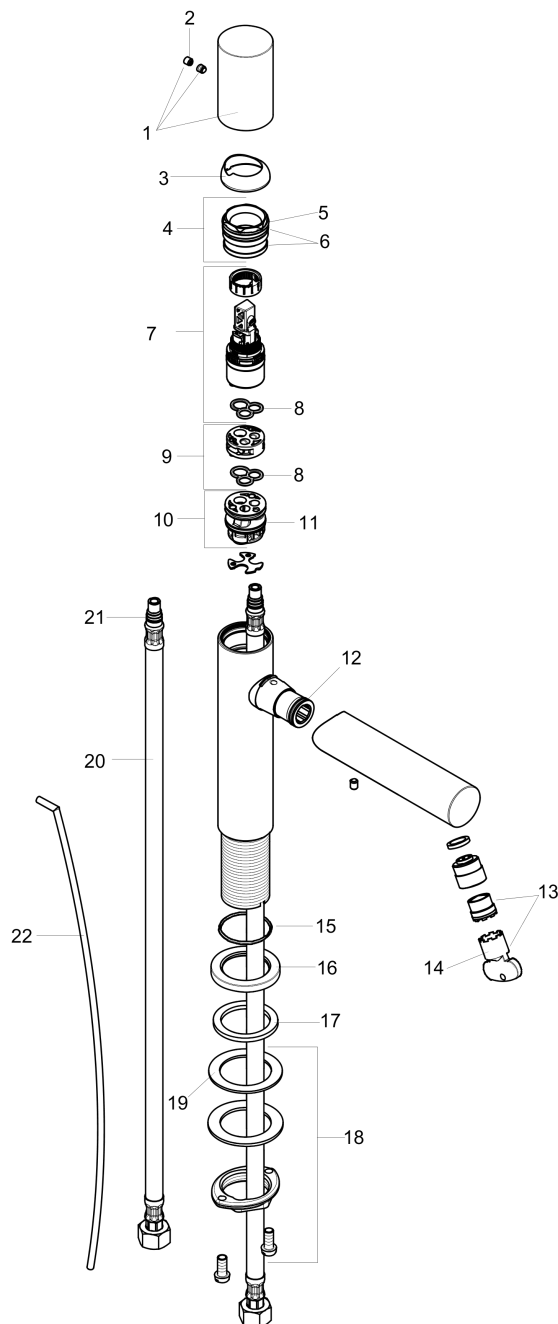


AXOR Uno
AXOR Uno Single-Hole Faucet with Zero Handle without Pop-Up, Tall, 1.2 GPM
Finishes : **chrome** Part no. : **45004001**



Exploded drawing

Year of production: >07/18



AXOR Uno
AXOR Uno Single-Hole Faucet with Zero Handle without Pop-Up, Tall, 1.2 GPM
 Finishes : **chrome** Part no. : **45004001**



Spare parts list

Year of production: >07/18

| Pos. | Description | Part no. | PC | PU |
|------|-------------------------------------|----------|----|----|
| 1 | handle | 92887000 | 0 | 1 |
| 2 | screw cover | 95181000 | 0 | 1 |
| 3 | flange | 93116000 | 0 | 1 |
| 4 | nut | 92689000 | 0 | 1 |
| 5 | O-ring 25x1,5 | 98146000 | 0 | 1 |
| 6 | O-ring 27x1,5 | 92527000 | 0 | 1 |
| 7 | cartridge, assy | 95973001 | 0 | 1 |
| 8 | seal | 98865000 | 0 | 1 |
| 9 | adapter for cartridge | 92628000 | 0 | 1 |
| 10 | adapter for cartridge | 98866000 | 0 | 1 |
| 11 | O-ring 23x2 | 98398000 | 0 | 1 |
| 12 | O-ring 16x2 | 98133000 | 0 | 1 |
| 13 | aerator laminar M16,5x1 (4,5 l/min) | 92876000 | 0 | 1 |
| 14 | special tool | 98987000 | 0 | 1 |
| 15 | O-ring 30x1,5 | 98433000 | 0 | 1 |
| 16 | escutcheon Ø 46 mm | 95268000 | 0 | 1 |
| 17 | flat seal | 98749000 | 0 | 1 |
| 18 | fixing set (Ø 32) | 13961000 | 0 | 1 |
| 19 | lever collar | 97548000 | 0 | 1 |
| 20 | fixation extension 35 mm | 13898000 | 0 | 1 |
| 21 | connection hose 35½" M8x0,75 3/8" | 96316001 | 0 | 1 |
| 22 | O-ring 7x1,5 | 98422000 | 0 | 1 |