

AXOR Uno
AXOR Uno Select Wall-Mounted Faucet Trim, 1.2 GPM
 Finishes : **chrome** Part no. : **45113001**



Description

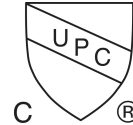
Features

- Aerated spray
- Start/stop cartridge
- separation of temperature control and open/close

Technology



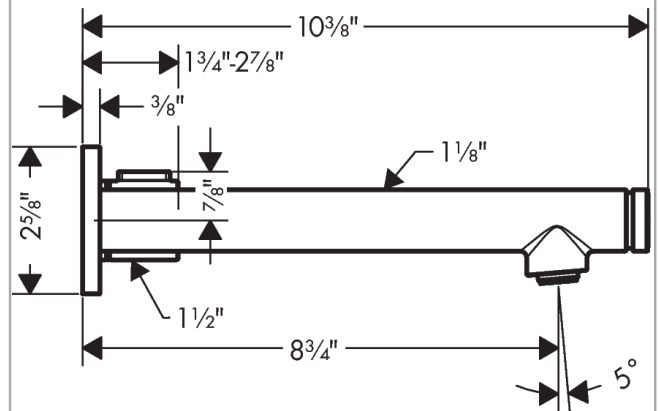
Compliance



Product image



Scale drawing

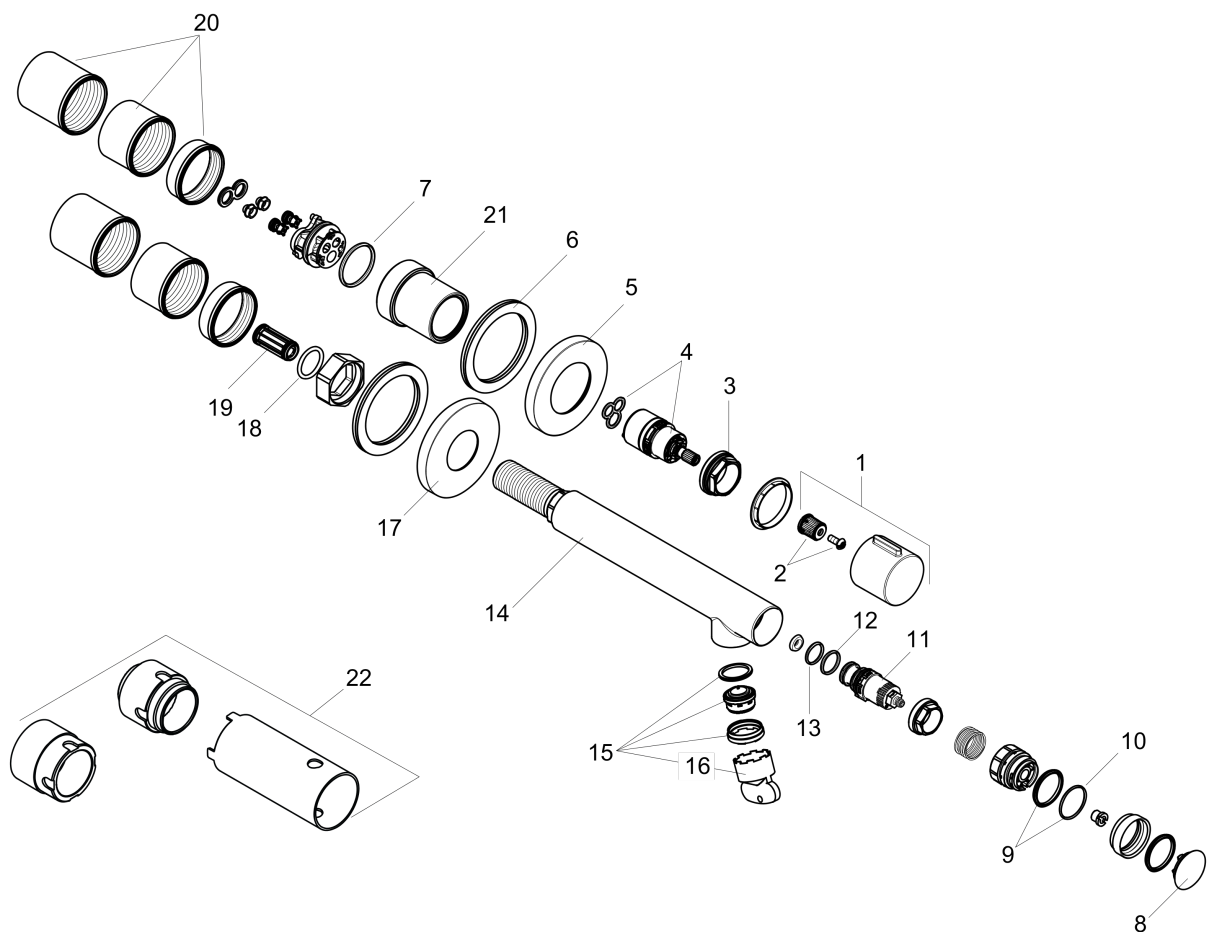


AXOR Uno
AXOR Uno Select Wall-Mounted Faucet Trim, 1.2 GPM
Finishes : **chrome** Part no. : **45113001**



Exploded drawing

Year of production: >07/18



AXOR Uno
AXOR Uno Select Wall-Mounted Faucet Trim, 1.2 GPM
 Finishes : **chrome** Part no. : **45113001**



Spare parts list

Year of production: >07/18

Pos.	Description	Part no.	PC	PU
1	handle	93125000	0	1
2	handle fixing set	98932000	0	1
3	nut	95178000	0	1
4	cartridge, assy	92970000	0	1
5	escutcheon Ø 68 mm	93052000	0	1
6	washer	97600000	0	1
7	O-ring 26x2	98147000	0	1
8	cover	92566000	0	1
9	sealing set	93133000	0	1
10	O-ring 17x1,5	98137000	0	1
11	shut off unit	92980000	0	1
12	O-Ring 14x1,5	98201000	0	1
13	O-ring 13x1,5	98475000	0	1
14	spout 220 mm	93131000	0	1
15	aerator M24x1 (4,5 l/min)	93202000	0	1
16	service tool	95661000	0	1
17	escutcheon Ø 68 mm	93129000	0	1
18	O-ring 18x2,5	98139000	0	1
19	noise reduction	95009000	0	1
20	fixing set	97971000	0	1
21	nut	93132000	0	1
22	extension set 25 mm for 13622180	31971000	0	1