

**AXOR Citterio E**  
**Wall-Mounted Widespread Faucet Trim, 1.2 GPM**  
Finishes : **chrome** Part no. : **36107001**



## Description

### Features

- Laminar spray
- Flow: 1.2 GPM (4.5 L/Min)
- 90° ceramic valves

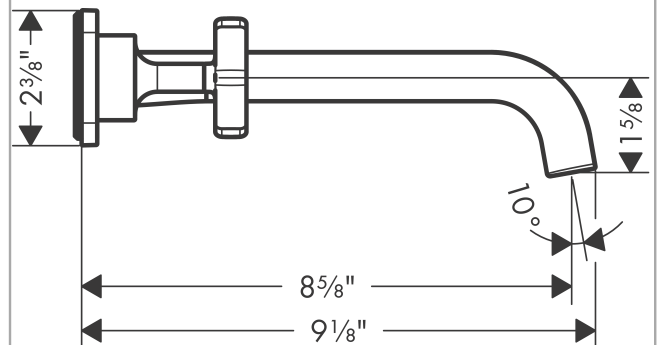
## Technology



## Product image



## Scale drawing

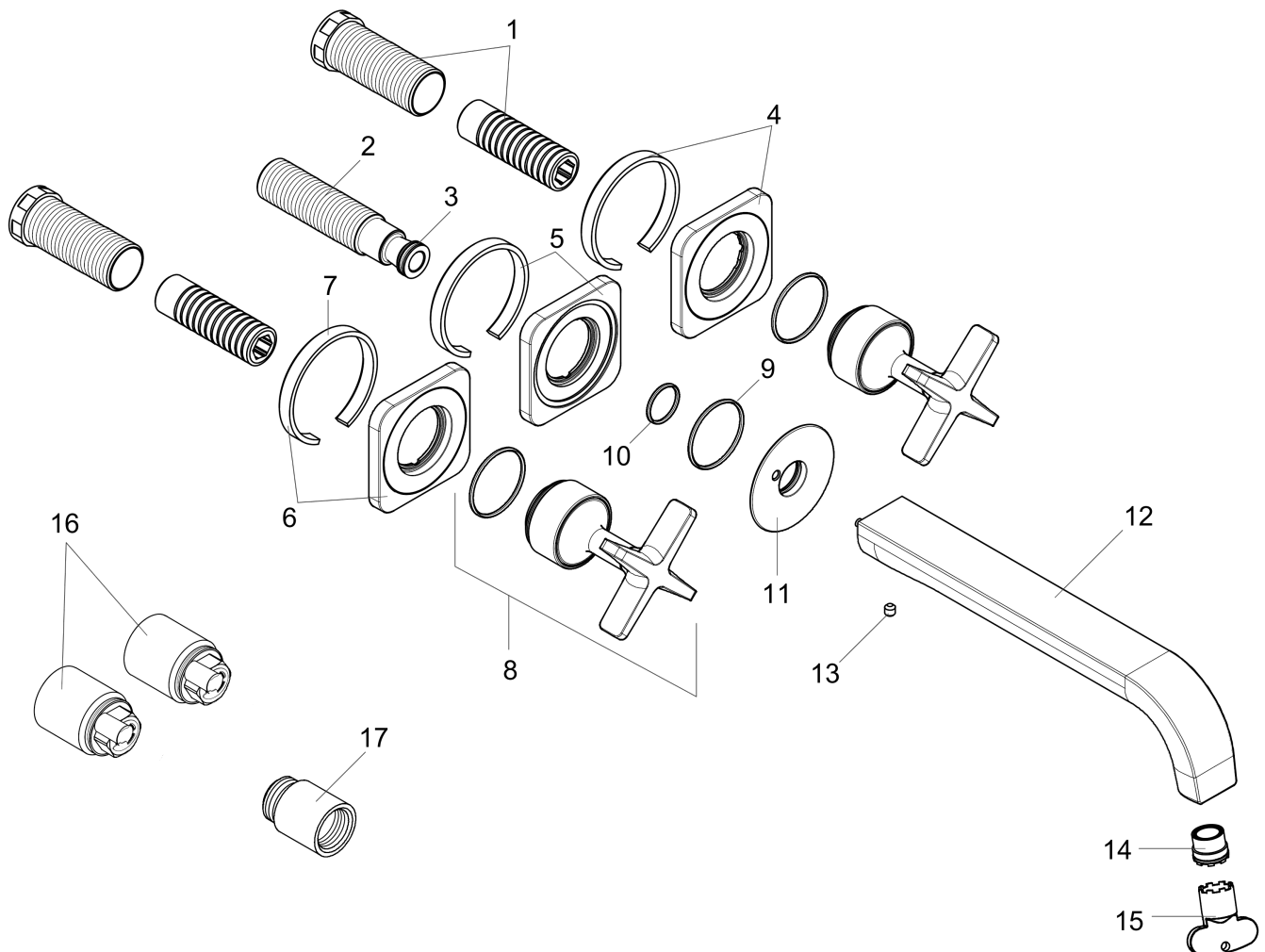


**AXOR Citterio E**  
**Wall-Mounted Widespread Faucet Trim, 1.2 GPM**  
Finishes : **chrome**    Part no. : **36107001**



## Exploded drawing

Year of production: >07/16



**AXOR Citterio E**  
**Wall-Mounted Widespread Faucet Trim, 1.2 GPM**  
 Finishes : **chrome**    Part no. : **36107001**



## Spare parts list

Year of production: >07/16

Pos.	Description	Part no.	PC	PU
1	fixing set	96393000	0	1
2	connecting thread G½	95626000	0	1
3	O-ring 13x2	98128000	0	1
4	escutcheon cold water	92398000	0	1
5	escutcheon	92359000	0	1
6	escutcheon hot water	92397000	0	1
7	seal	97530000	0	1
8	handle	92343000	0	1
9	O-ring 30x1,5	98433000	0	1
10	O-ring 17x1,5	98137000	0	1
11	escutcheon for spout	92342000	0	1
12	spout 220 mm	92336000	0	1
13	hollow set screw M5x5	98446000	0	1
14	aerator laminar M16,5x1 (4,5 l/min)	92876000	0	1
15	special tool	98987000	0	1
a	extension 25 mm	96259000	0	1
b	extension 25 mm	95413000	0	1