

**AXOR Citterio E**  
**Shower Module 5" x 5" SoftCube**  
Finishes : **chrome**    Part no. : **36822001**



## Description

### Features

- 3-position adjustable spray
- Flow: 2.5 GPM (9.5 L/Min)
- In a joined installation (10mm distance) the use of basic set no. 28486181 is recommended
- In a freely arranged installation, connection via a G ½ inner thread is possible

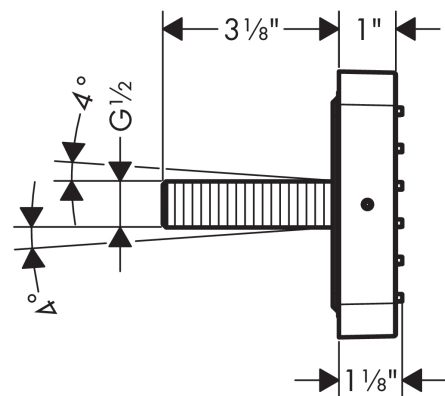
## Technology



## Product image



## Scale drawing

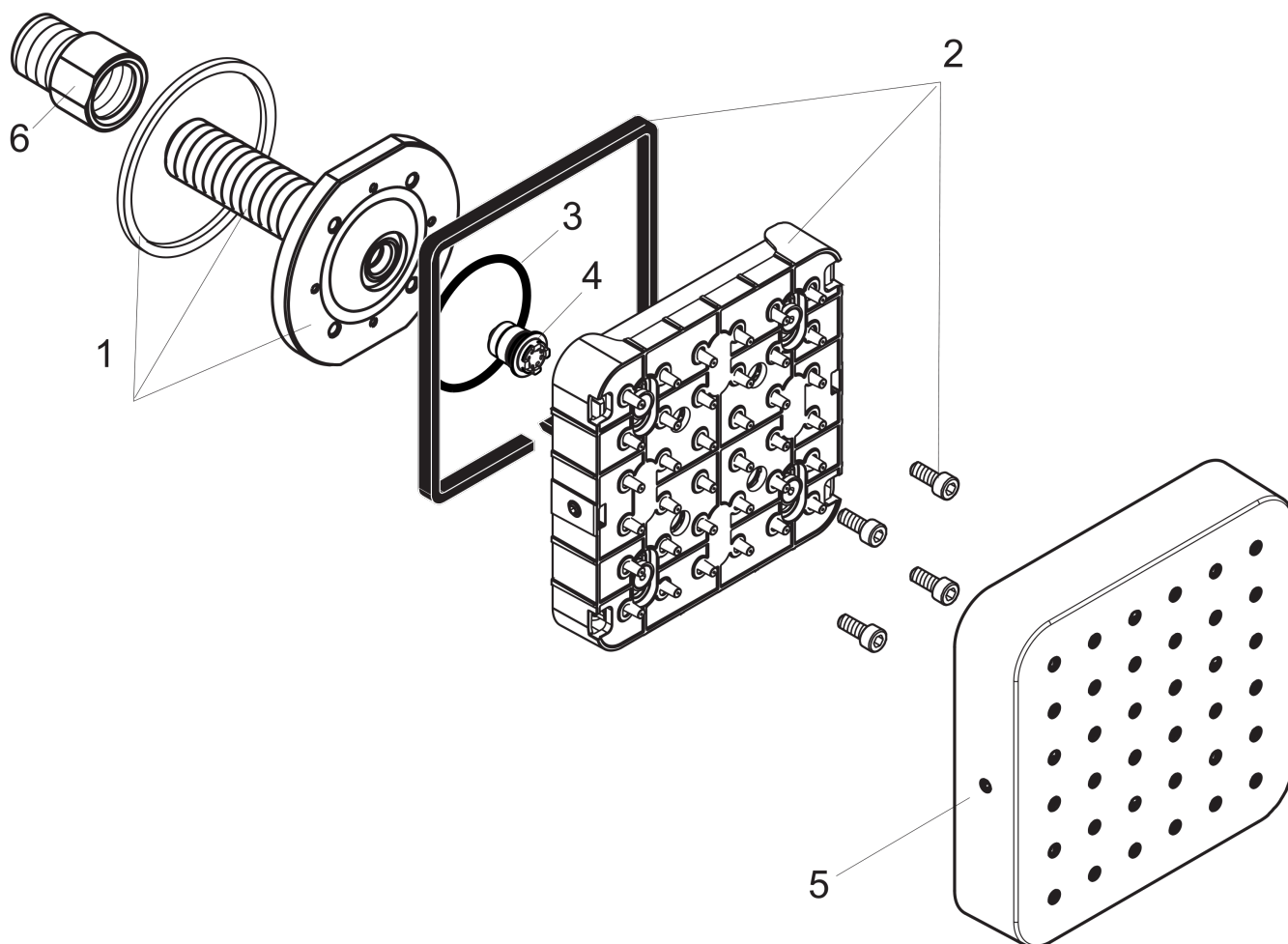


**AXOR Citterio E**  
**Shower Module 5" x 5" SoftCube**  
Finishes : **chrome**    Part no. : **36822001**



## Exploded drawing

Year of production: >01/16



**AXOR Citterio E**  
**Shower Module 5" x 5" SoftCube**  
 Finishes : **chrome**    Part no. : **36822001**



## Spare parts list

Year of production: >01/16

Pos.	Description	Part no.	PC	PU
1	connecting thread	95364000	0	1
2	spray body	95361000	0	1
3	O-ring 41x2	98212000	0	1
4	flow limiter / non return valve	95363000	0	1
5	frontcover	92459000	0	1
6	adapter for body shower	88746000	0	1
a	base body	28486181	0	1