

AXOR Citterio E
Wall-Mounted Widespread Faucet Trim with Base Plate, 1.2 GPM
Finishes : **chrome** Part no. : **36115001**



Description

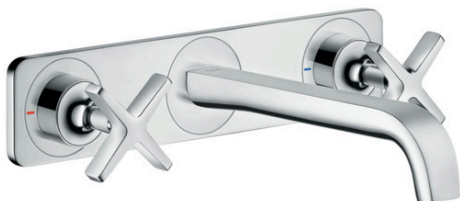
Features

- Laminar spray
- Flow: 1.2 GPM (4.5 L/Min)
- 90° ceramic valves

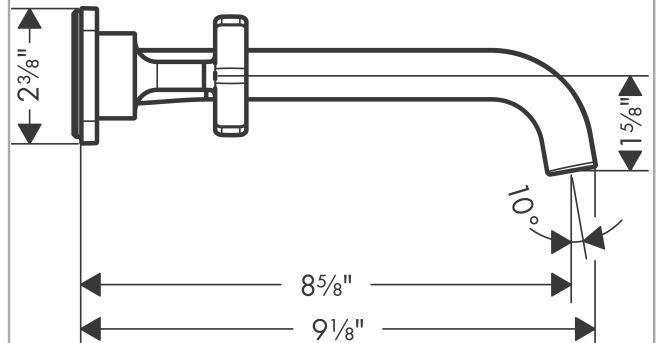
Technology



Product image



Scale drawing

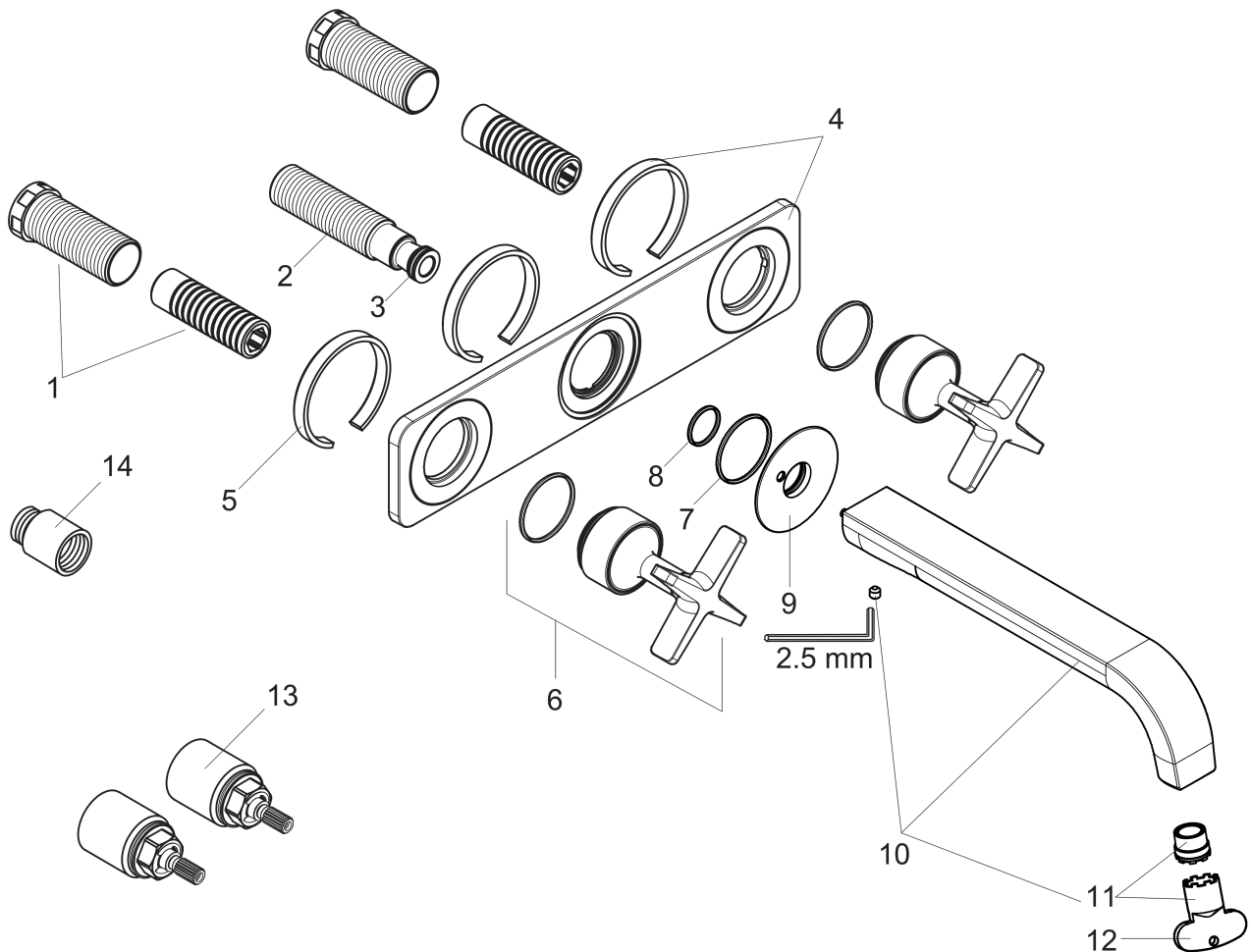


AXOR Citterio E
Wall-Mounted Widespread Faucet Trim with Base Plate, 1.2 GPM
Finishes : **chrome** Part no. : **36115001**



Exploded drawing

Year of production: >07/16



AXOR Citterio E
Wall-Mounted Widespread Faucet Trim with Base Plate, 1.2 GPM
 Finishes : **chrome** Part no. : **36115001**



Spare parts list

Year of production: >07/16

Pos.	Description	Part no.	PC	PU
1	fixing set	96393000	0	1
2	connecting thread G½	95626000	0	1
3	O-ring 13x2	98128000	0	1
4	escutcheon	92344000	0	1
5	seal	97530000	0	1
6	handle	92343000	0	1
7	O-ring 30x1,5	98433000	0	1
8	O-ring 17x1,5	98137000	0	1
9	escutcheon for spout	92342000	0	1
10	spout 220 mm	92336000	0	1
11	aerator laminar M16,5x1 (4,5 l/min)	92876000	0	1
12	special tool	98987000	0	1
13	extension 25 mm	96259000	0	1
14	extension 25 mm	95413000	0	1
a	waste	50001000	0	1
b	Grease	90920000	0	1