

**AXOR Citterio E**  
**Single-Hole Faucet 125 with Lever Handle and Pop-Up Drain, 1.2 GPM**  
 Finishes : **chrome**    Part no. : **36110001**



## Description

### Features

- Laminar spray
- Flow: 1.2 GPM (4.5 L/Min)
- Ceramic cartridge
- Includes pop-up drain

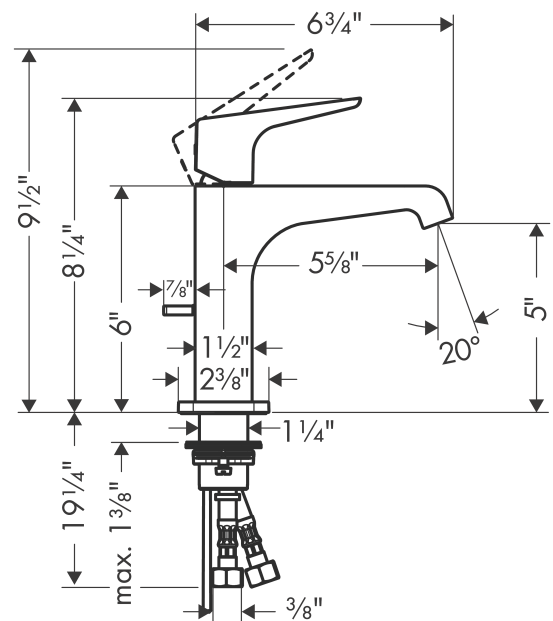
## Technology



## Product image



## Scale drawing

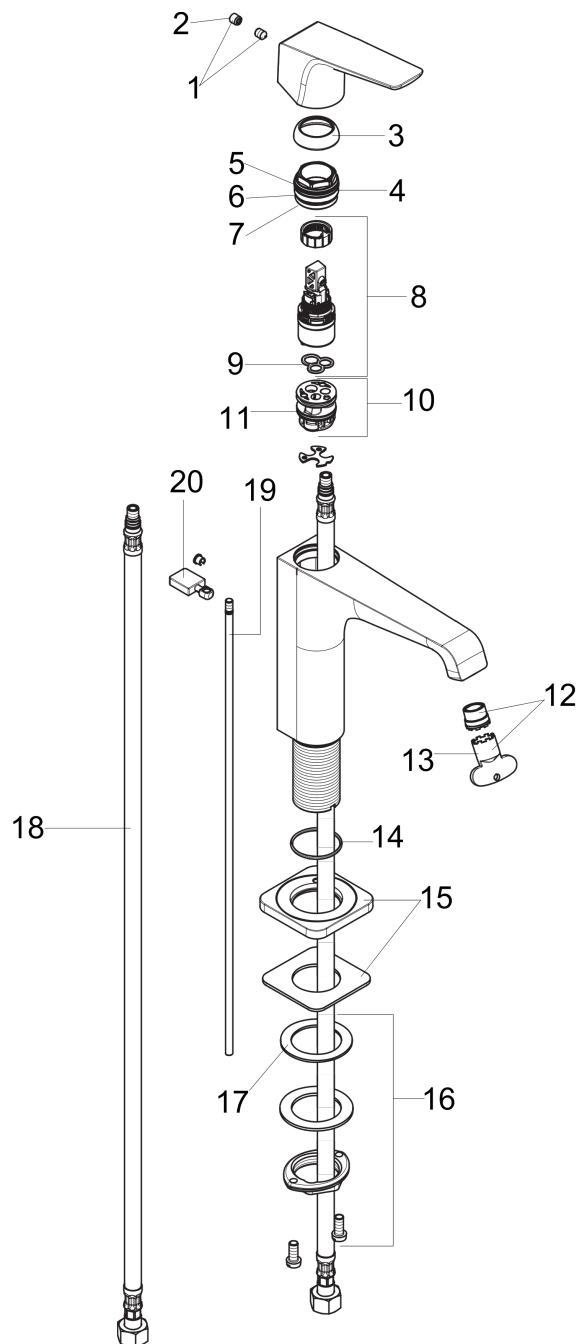


**AXOR Citterio E**  
**Single-Hole Faucet 125 with Lever Handle and Pop-Up Drain, 1.2 GPM**  
 Finishes : **chrome**    Part no. : **36110001**



## Exploded drawing

Year of production: >07/16



**AXOR Citterio E**  
**Single-Hole Faucet 125 with Lever Handle and Pop-Up Drain, 1.2 GPM**  
 Finishes : **chrome**    Part no. : **36110001**



## Spare parts list

Year of production: >07/16

Pos.	Description	Part no.	PC	PU
1	handle	92593000	0	1
2	screw cover	96762000	0	1
3	flange	98863000	0	1
4	nut	98864000	0	1
5	O-Ring 22x2	98185000	0	1
6	O-ring 28x1,5	98421000	0	1
7	O-ring 25x1,5	98146000	0	1
8	cartridge, assy	95973001	0	1
9	seal	98865000	0	1
10	adapter for cartridge	98866000	0	1
11	O-ring 23x2	98398000	0	1
12	aerator laminar M16,5x1 (4,5 l/min)	92876000	0	1
13	special tool	98987000	0	1
14	O-ring 30x1,5	98433000	0	1
15	escutcheon	92190000	0	1
16	fixing set (Ø 32)	13961000	0	1
17	lever collar	97548000	0	1
18	connection hose 23½" M8x0,75 3/8"	98600001	0	1
19	pull rod	95128000	0	1
20	diverter knob	92197000	0	1
a	pop up waste	88509000	0	1