

AXOR Citterio M
Axor Citterio M Single-Handle 2-Hole Faucet, 1.2 GPM
 Finishes : **chrome** Part no. : **34132001**



Description

Features

- Aerated spray
- Flow: 1.2 GPM
- Ceramic cartridge
- Includes pop-up assembly

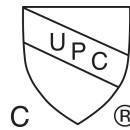
Item details

List Price \$ 660.00

Technology



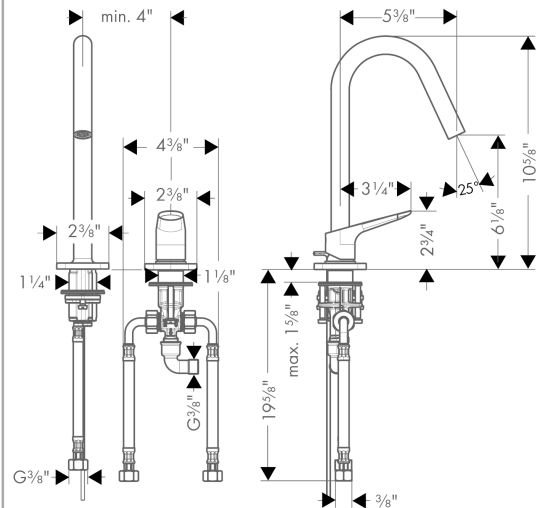
Compliance



Product image



Scale drawing

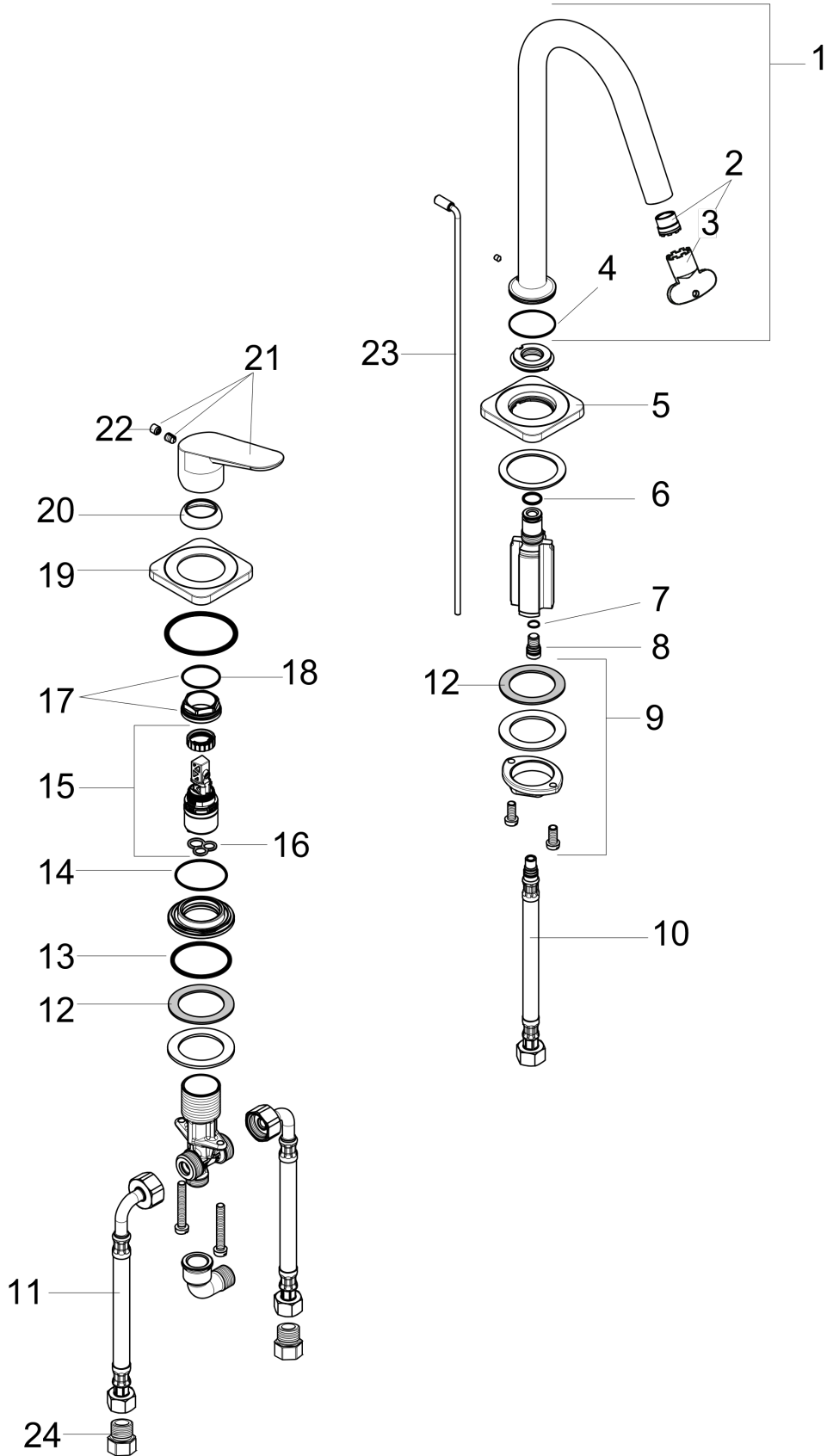


AXOR Citterio M
Axor Citterio M Single-Handle 2-Hole Faucet, 1.2 GPM
 Finishes : **chrome** Part no. : **34132001**



Exploded drawing

Year of production: >07/16



AXOR Citterio M

Axor Citterio M Single-Handle 2-Hole Faucet, 1.2 GPM

Finishes : **chrome** Part no. : **34132001**



Spare parts list

Year of production: >07/16

Pos.	Description	Part no.	Price	PU
1	spout cpl.	98928000	-	1
2	aerator M16,5x1 (4,5 l/min)	92875000	-	1
3	special tool	98987000	-	1
4	O-ring 30x1,5	98433000	-	1
5	escutcheon	98930000	-	1
6	O-ring 11x2	98127000	-	1
7	O-ring 7x1,5	98422000	-	1
8	plug	92313000	-	1
9	fixing set (Ø 32)	13961000	-	1
10	connection hose 450 mm M8x0,75 G3/8	97206000	-	1
11	connection hose 450 mm G½ x G3/8	95738000	-	1
12	lever collar	97548000	-	1
13	O-ring 40x3	92634000	-	1
14	O-ring 36x2	98156000	-	1
15	cartridge, assy	95973001	-	1
16	seal	98865000	-	1
17	nut	95178000	-	1
18	O-Ring 22x2	98185000	-	1
19	escutcheon	95998000	-	1
20	flange	98863000	-	1
21	handle	34093000	-	1
22	screw cover	96762000	-	1
23	pull rod	95701000	-	1
24	adapter for connection hose	88802000	-	1
a	pop up waste	88509000	-	1
b	lever arm 340mm (ball-Ø12mm)	96324000	-	1
c	Hose extension set for 2-Hole Basin Mixer	38960001	-	1
d	Grease	90920000	-	1