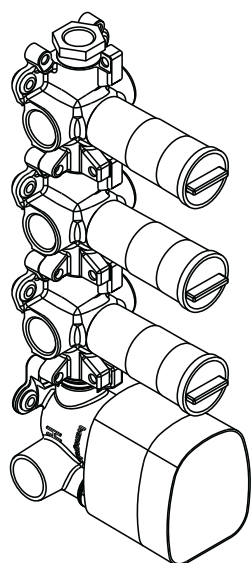
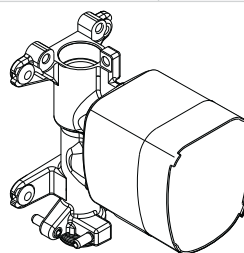


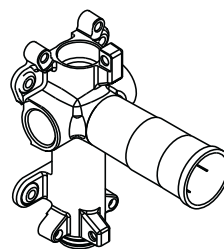
Installation Instructions



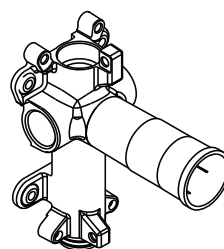
Starck
10750181



Starck
10650181

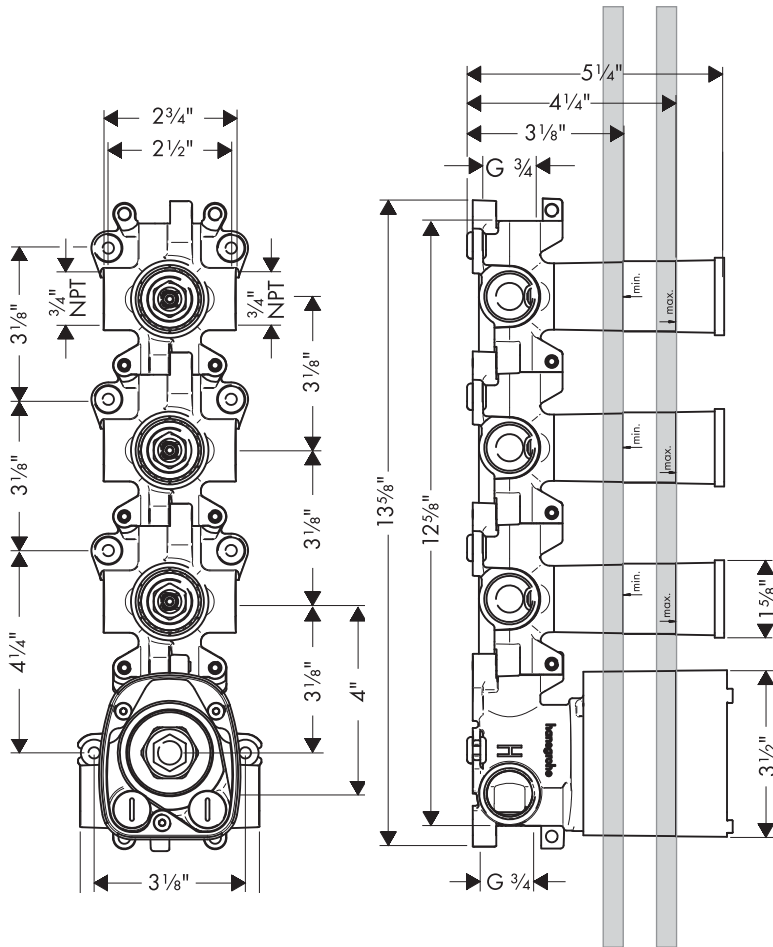


Starck
10971181



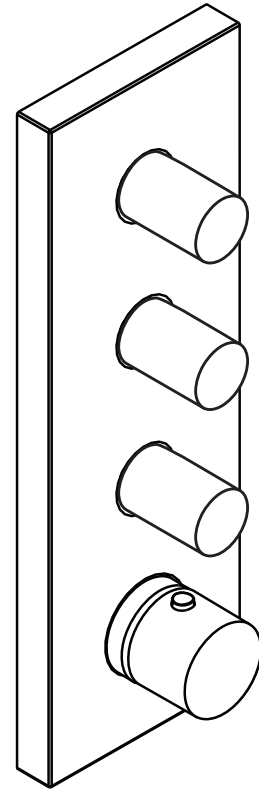
Starck
28486181

Rough

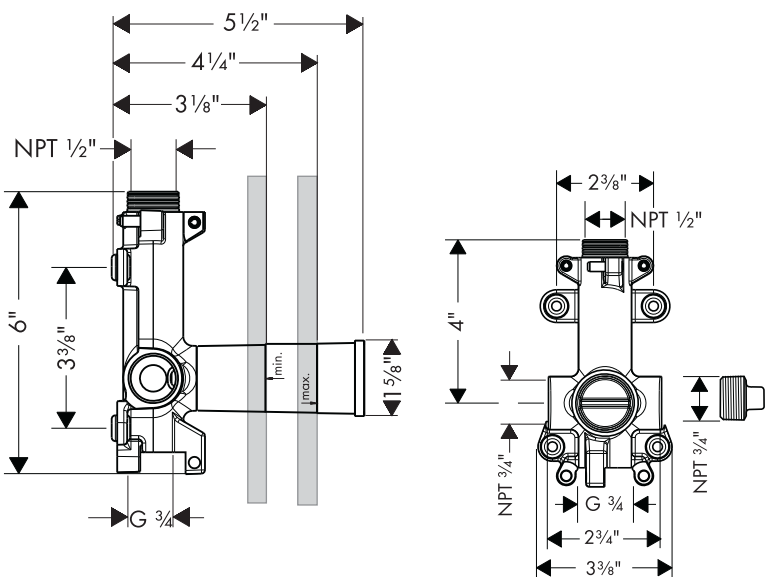


Starck Thermostatic Module
10750181

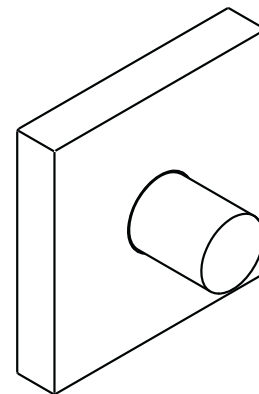
Required Trim (not included)



Trim for Starck Thermostatic Module
10751XX1

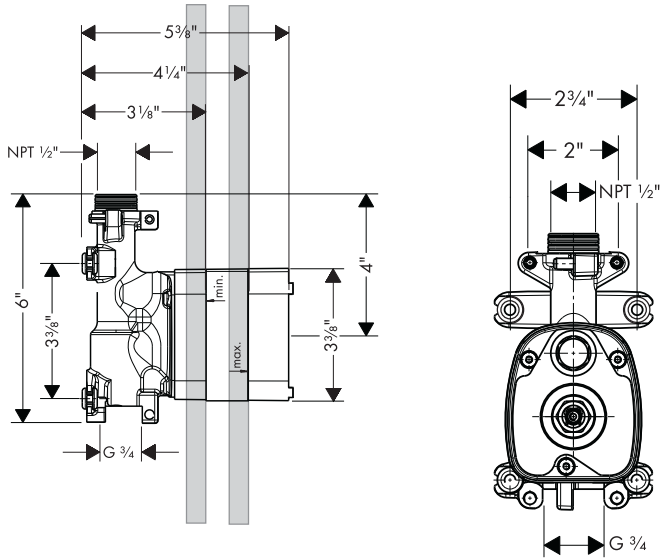


Starck Volume Control
10971181



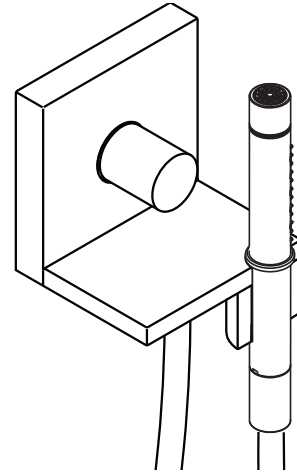
Trim for Starck Volume Control
10972XX1

Rough

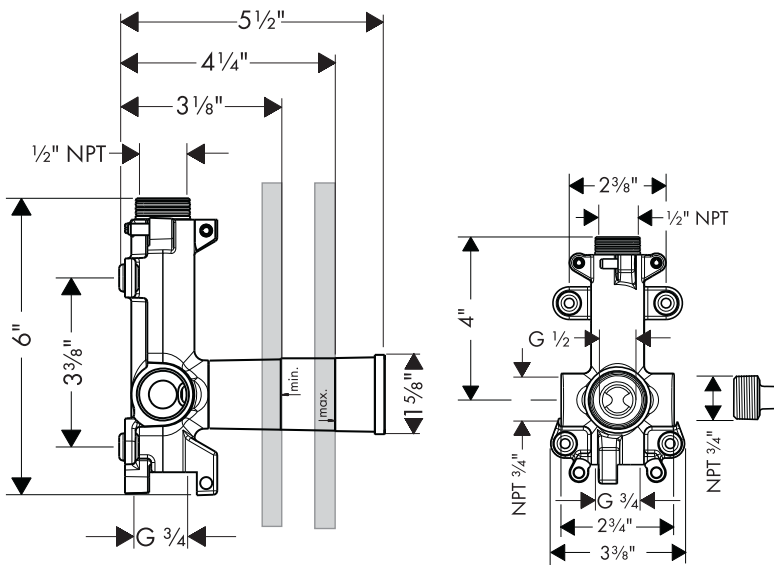


Starck Handshower System Rough
10650181

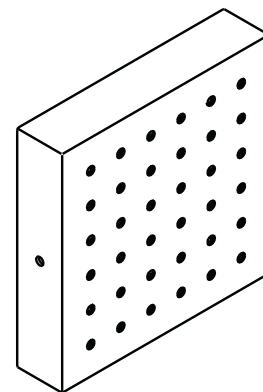
Required Trim (not included)



Starck Handshower System
10651XX1

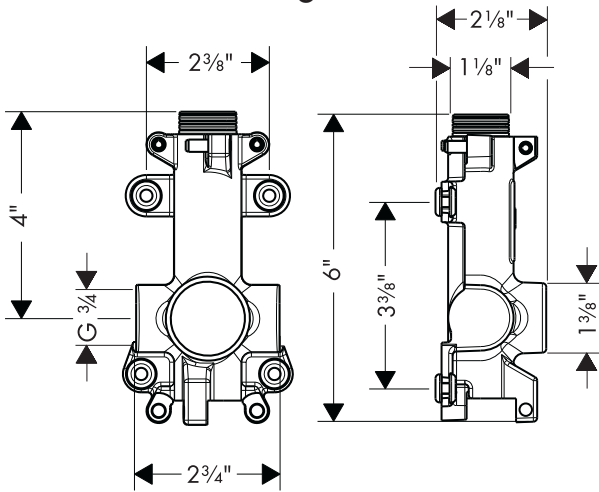


Shower Module Rough
28486181



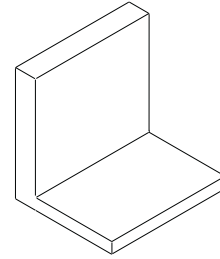
Shower Module
28491XX1

Rough

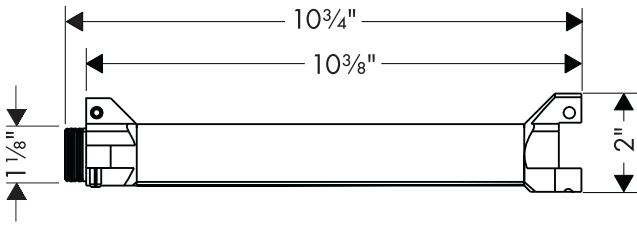


Rough for Small Shelf / Extension Pipe
40877180

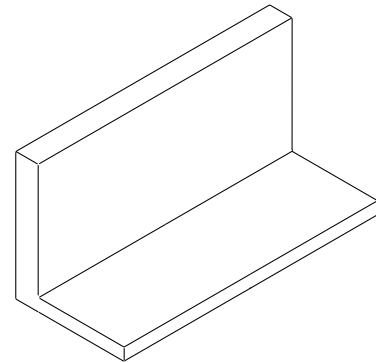
Trim (not included)



Shelf
40872XX0



Rough for Large Shelf / Extension Pipe
40878180

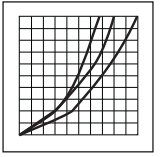


Shelf
40873XX0

Technical Information

Max. water pressure	145 psi
Recommended water pressure	15 - 75 psi
Max. hot water temp	176 °F*
Recommended hot water temp	120°-140 °F*
Hot and cold connections	3/4" NPT
Max. flow rate	15 gpm @ 44 psi

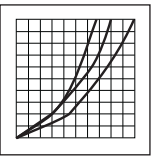
*Know and follow all applicable local plumbing codes when setting the temperature on the water heater.



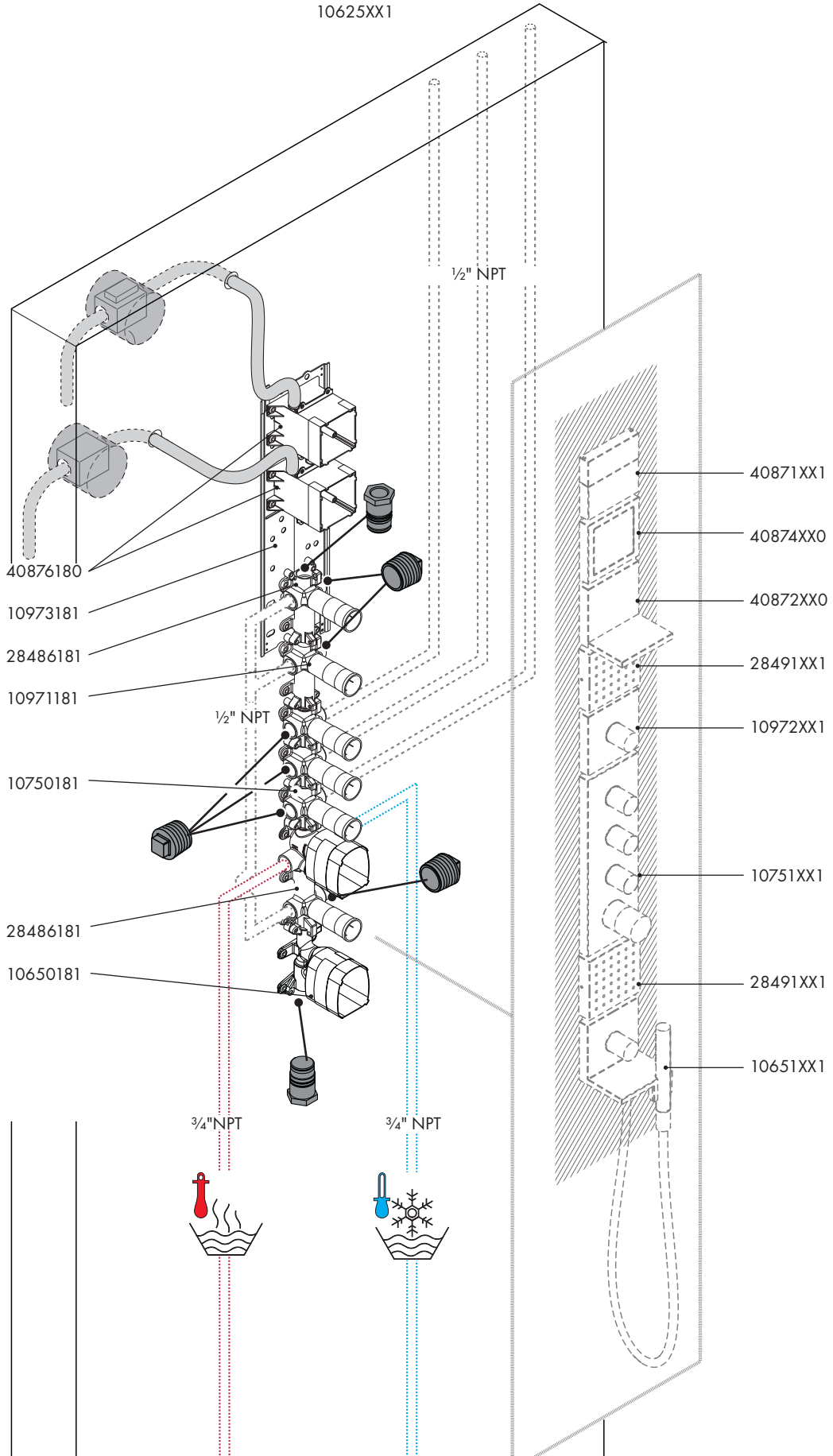
Installation Suggestions

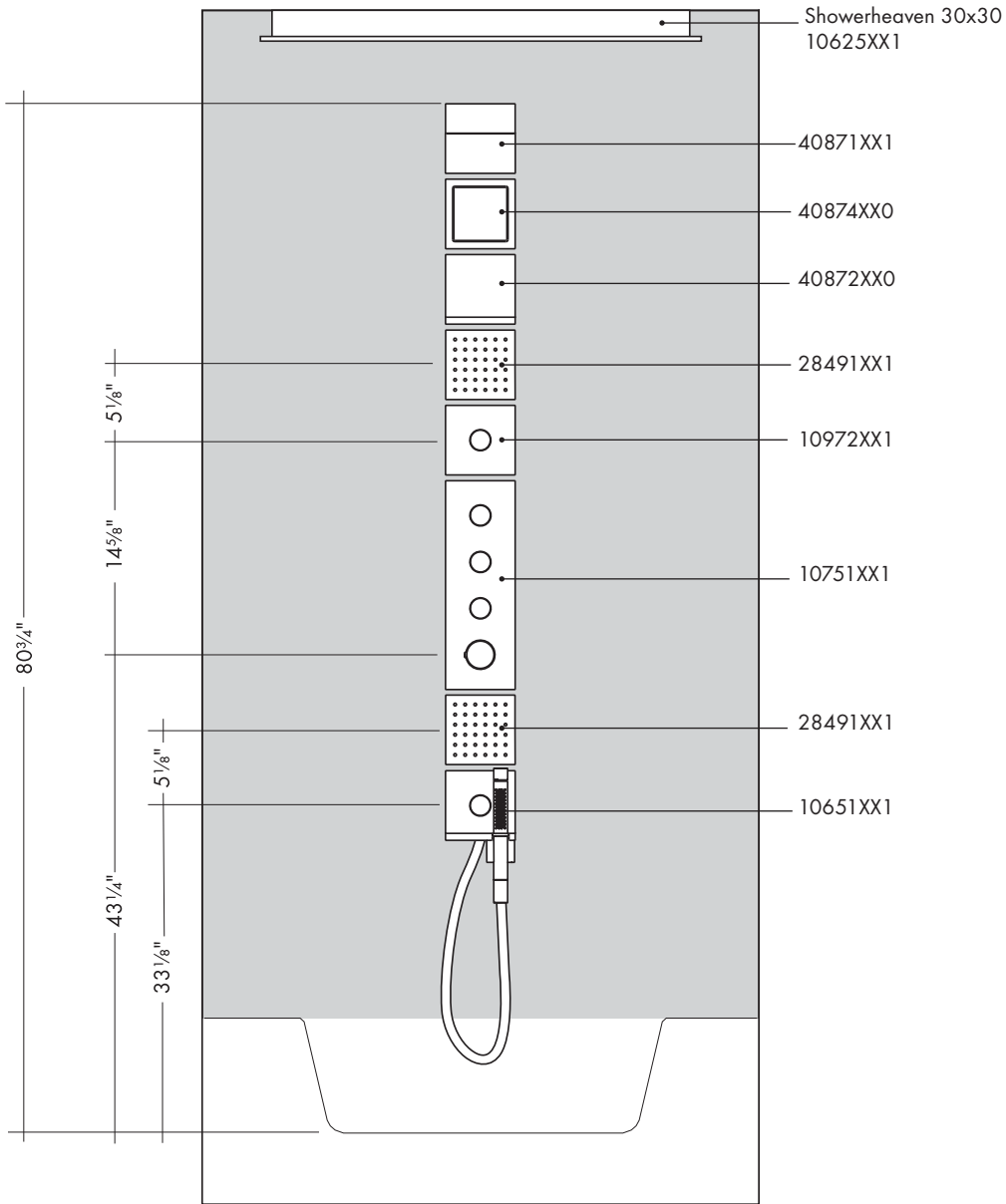
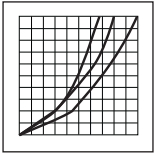
The next pages include some showers using the Starck Shower System. These are not the only systems possible.

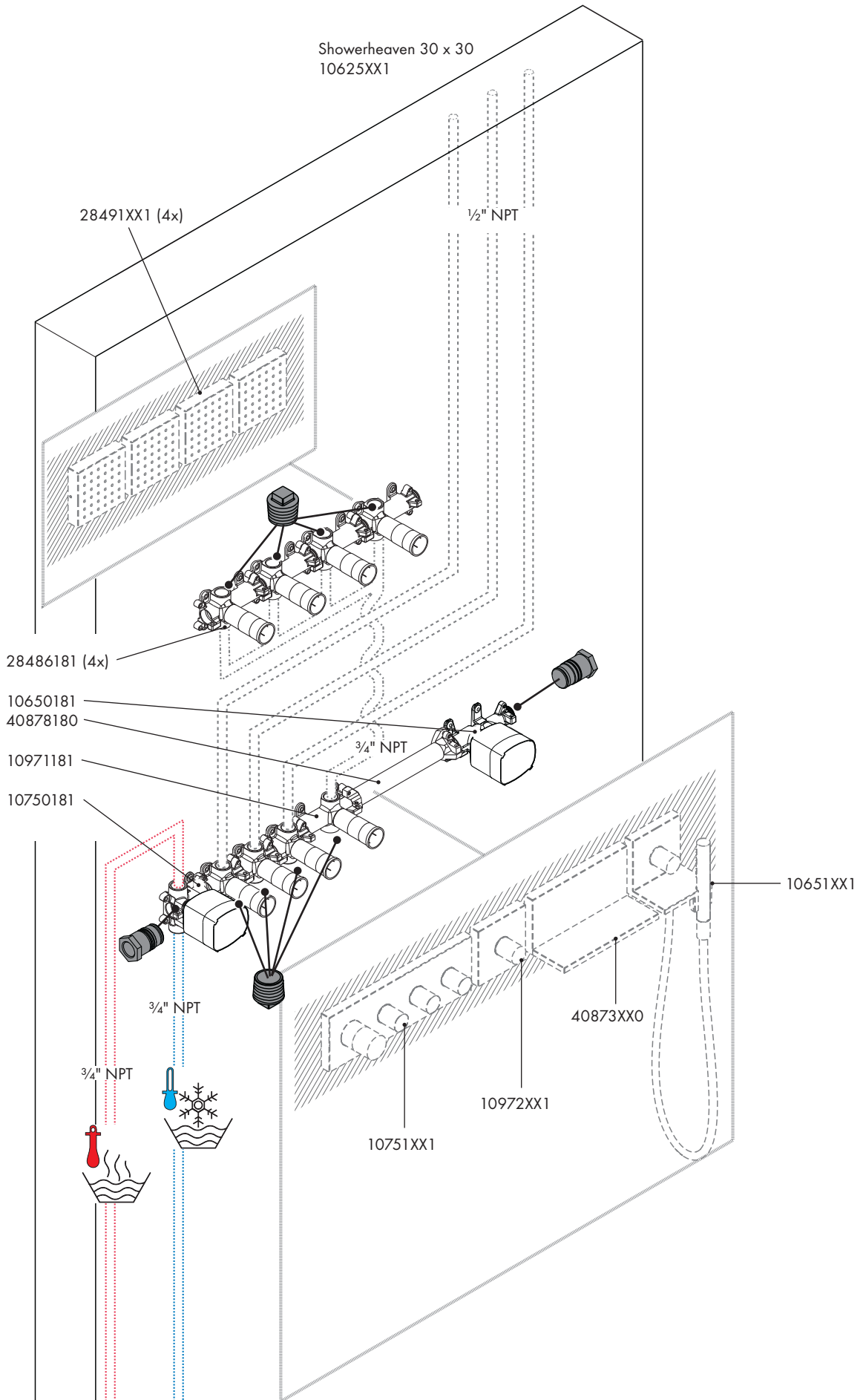
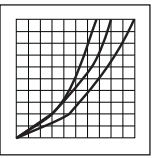
If you have questions regarding your installation, please call Hansgrohe Technical Service at 800 334 0455.

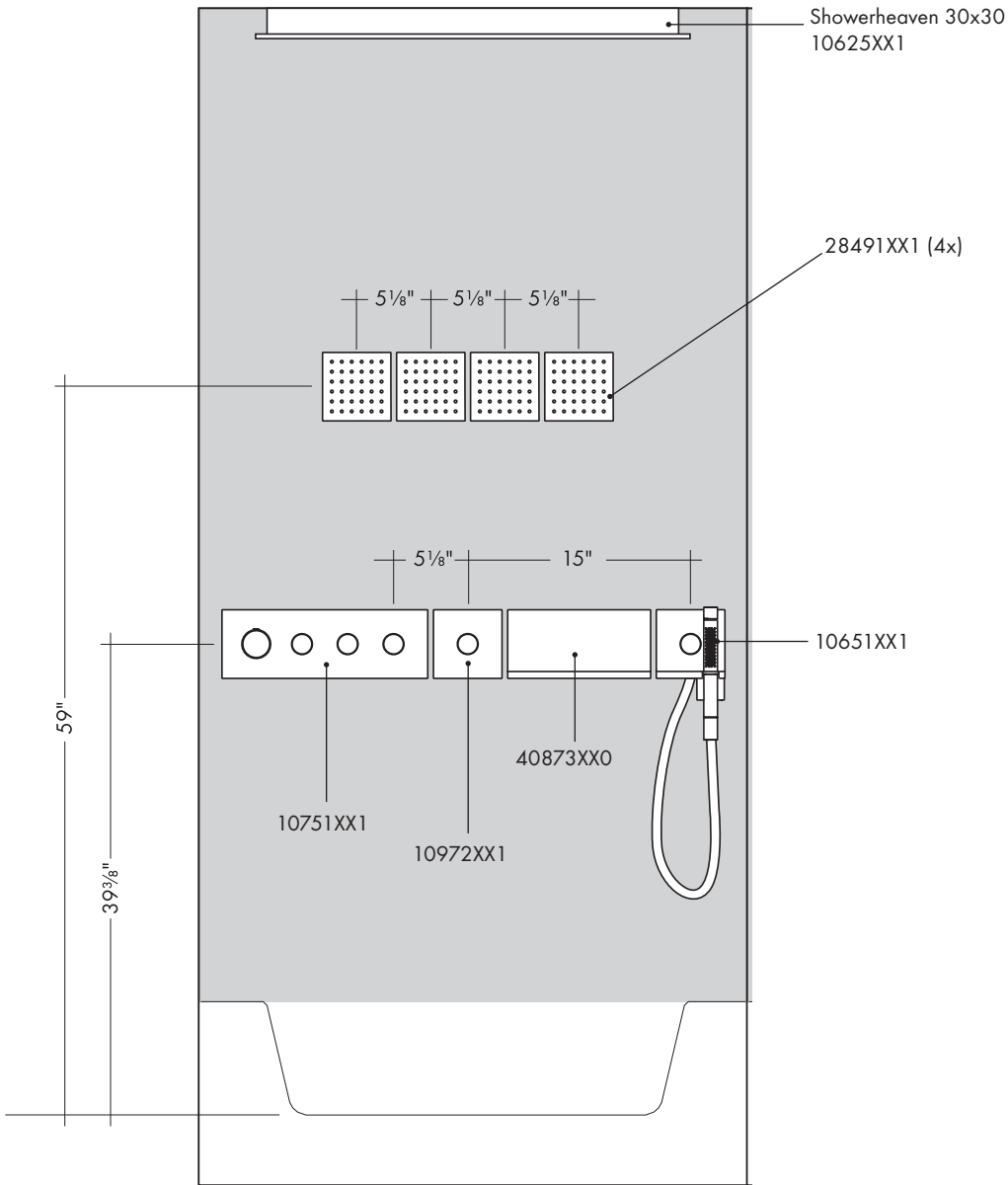
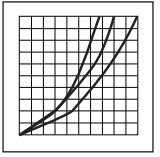


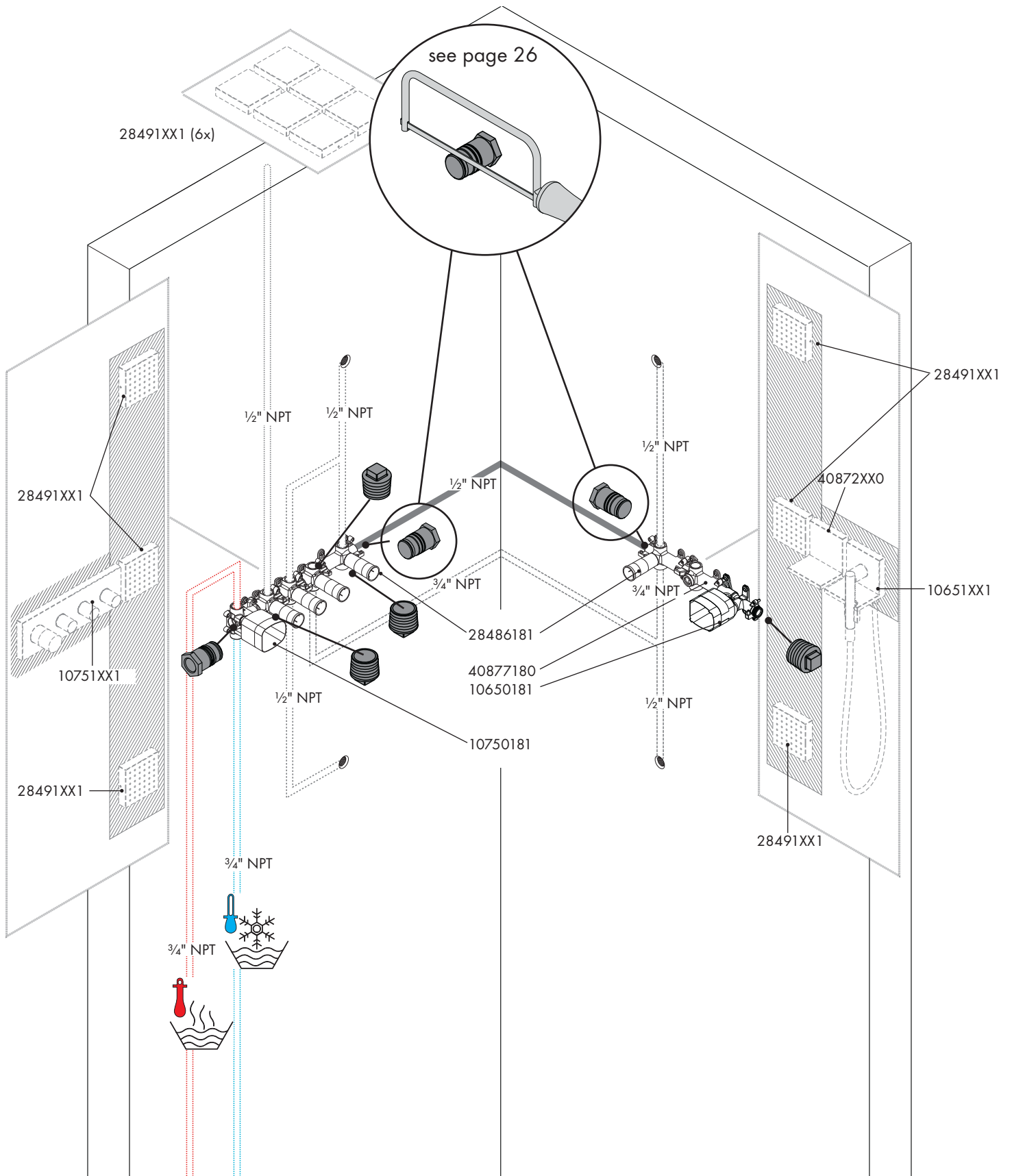
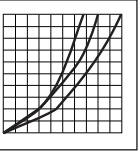
Showerheaven 30x30
10625XX1

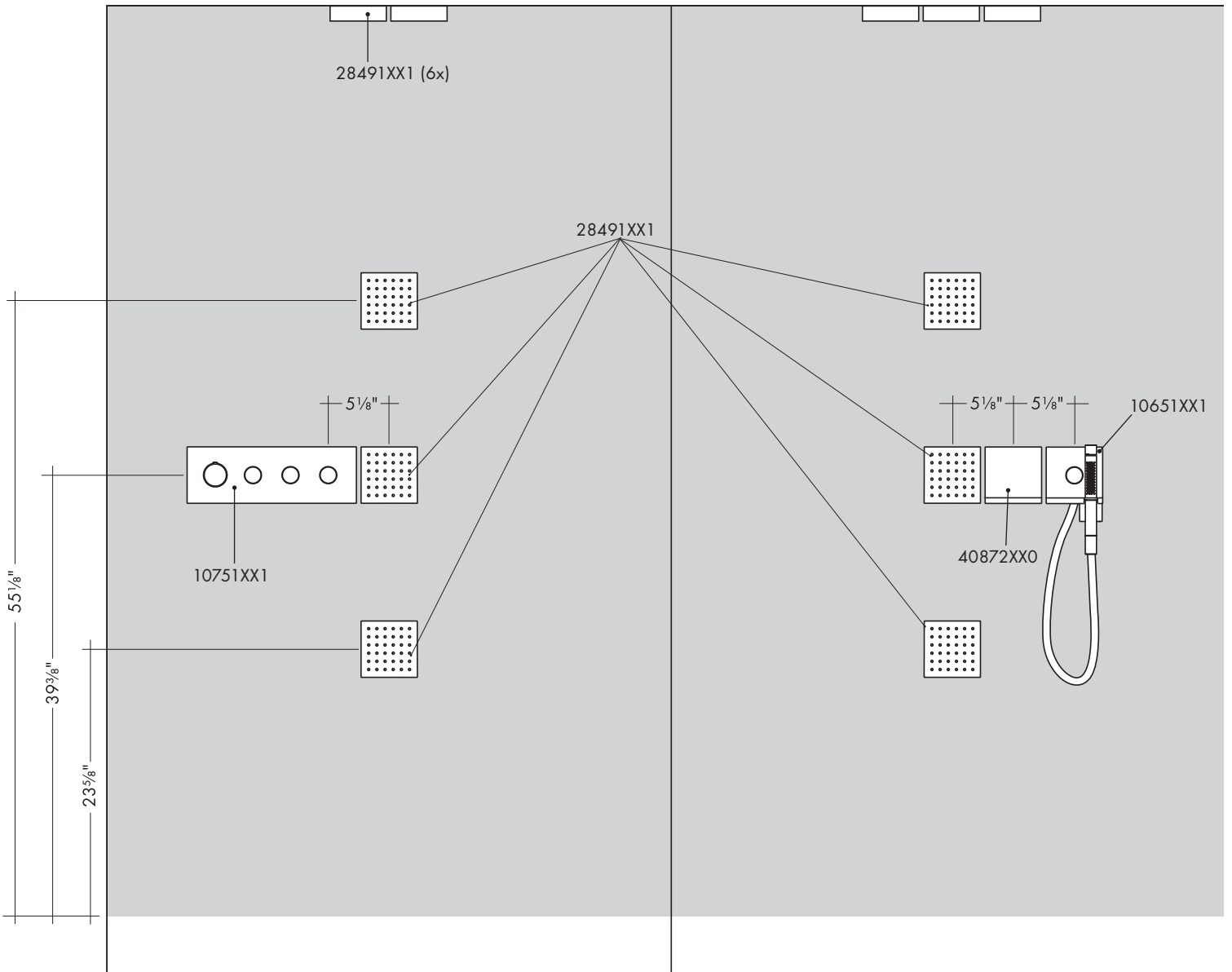
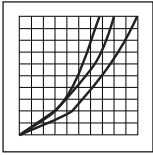


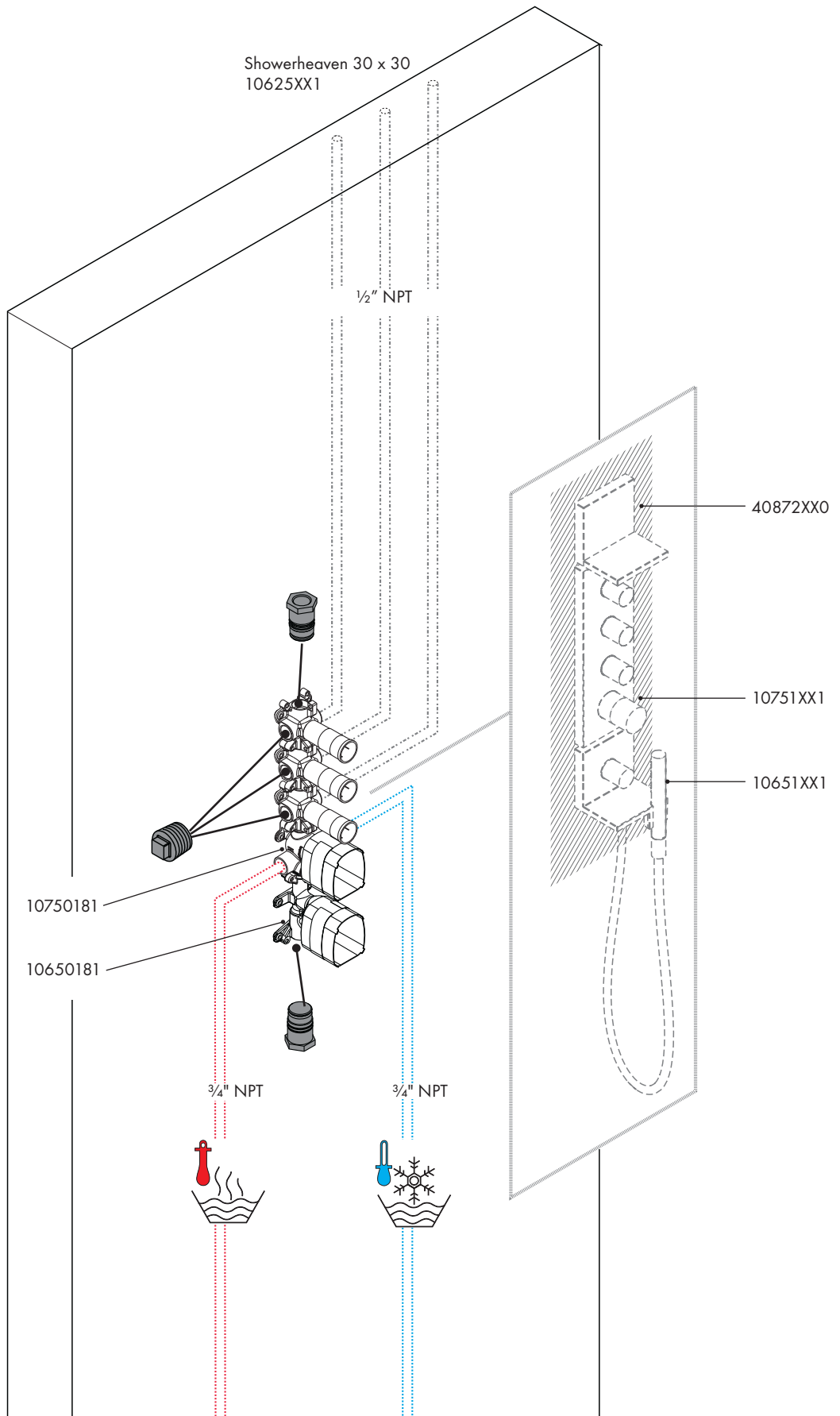
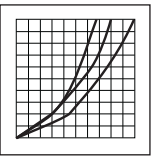


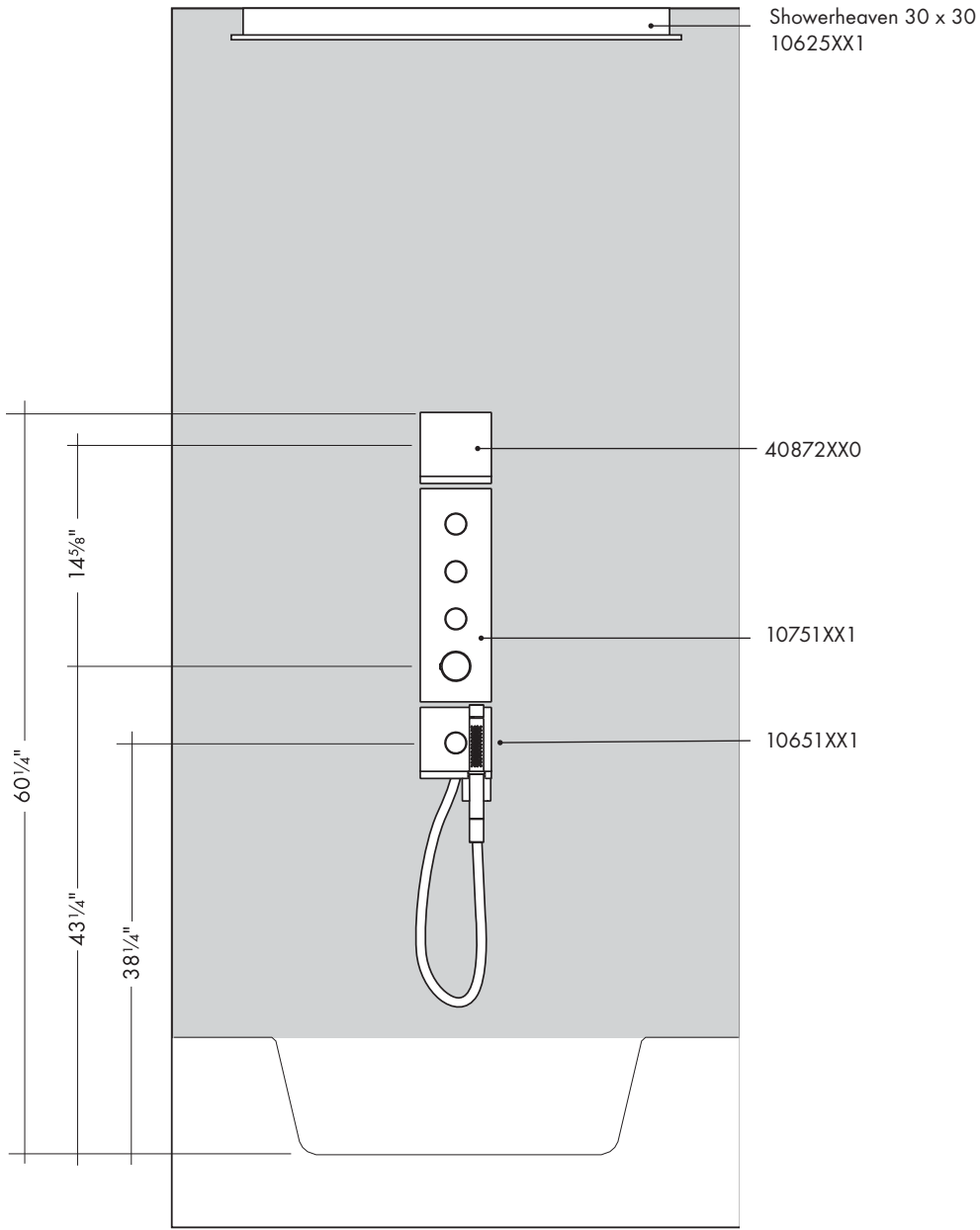
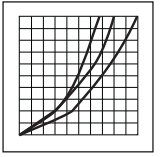


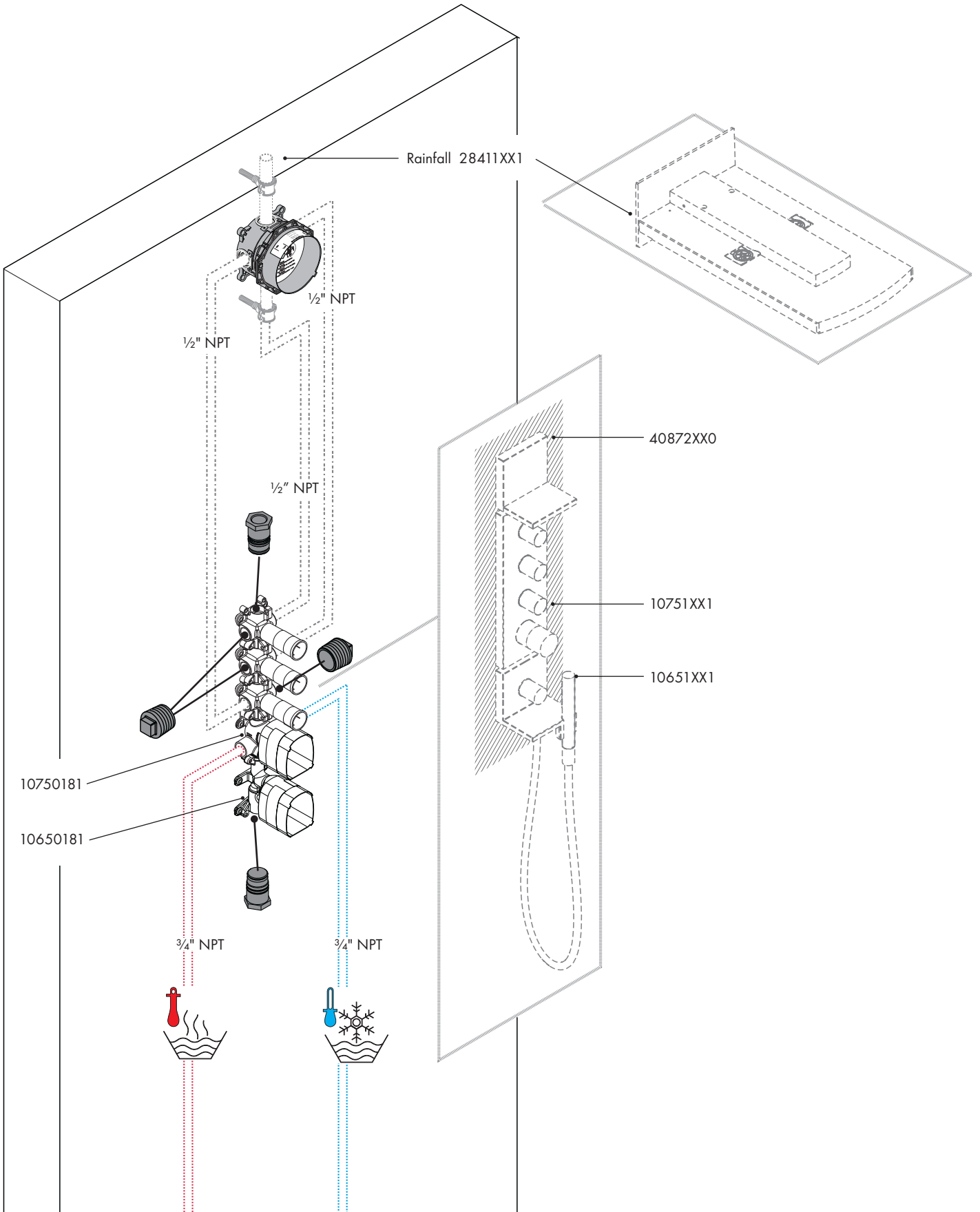
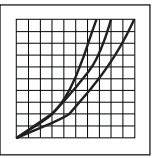


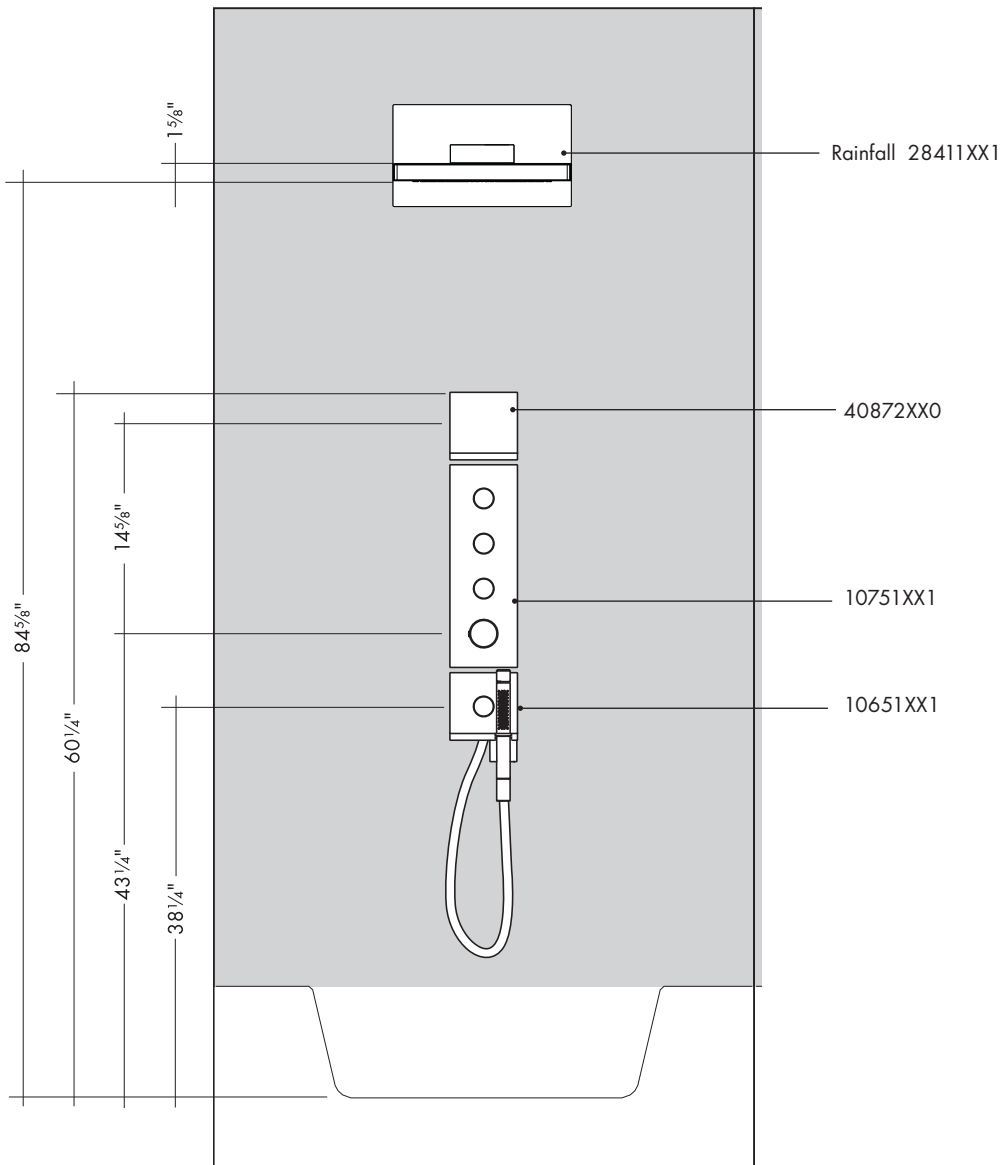
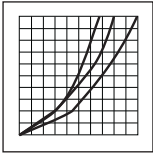


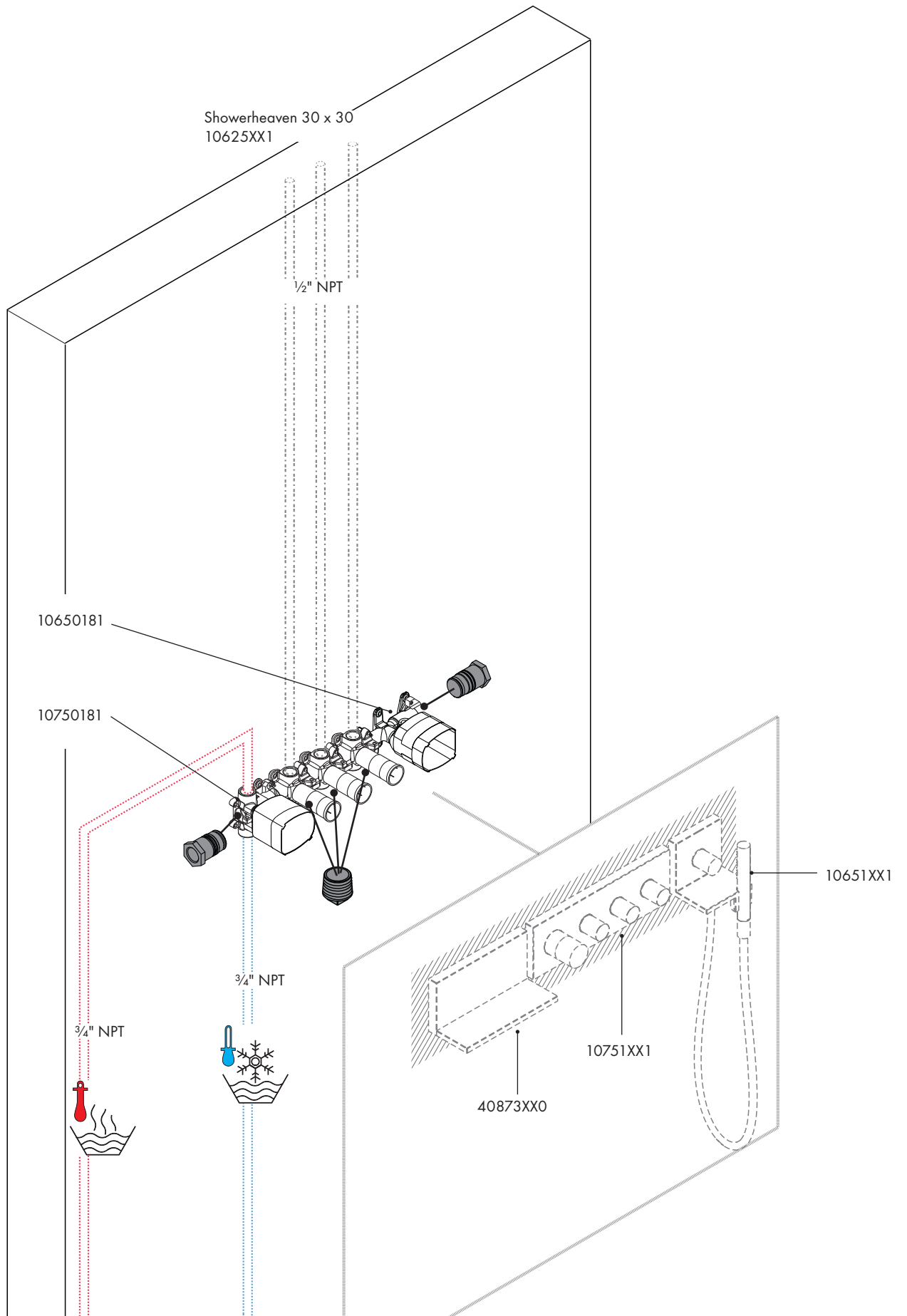
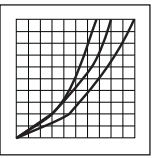


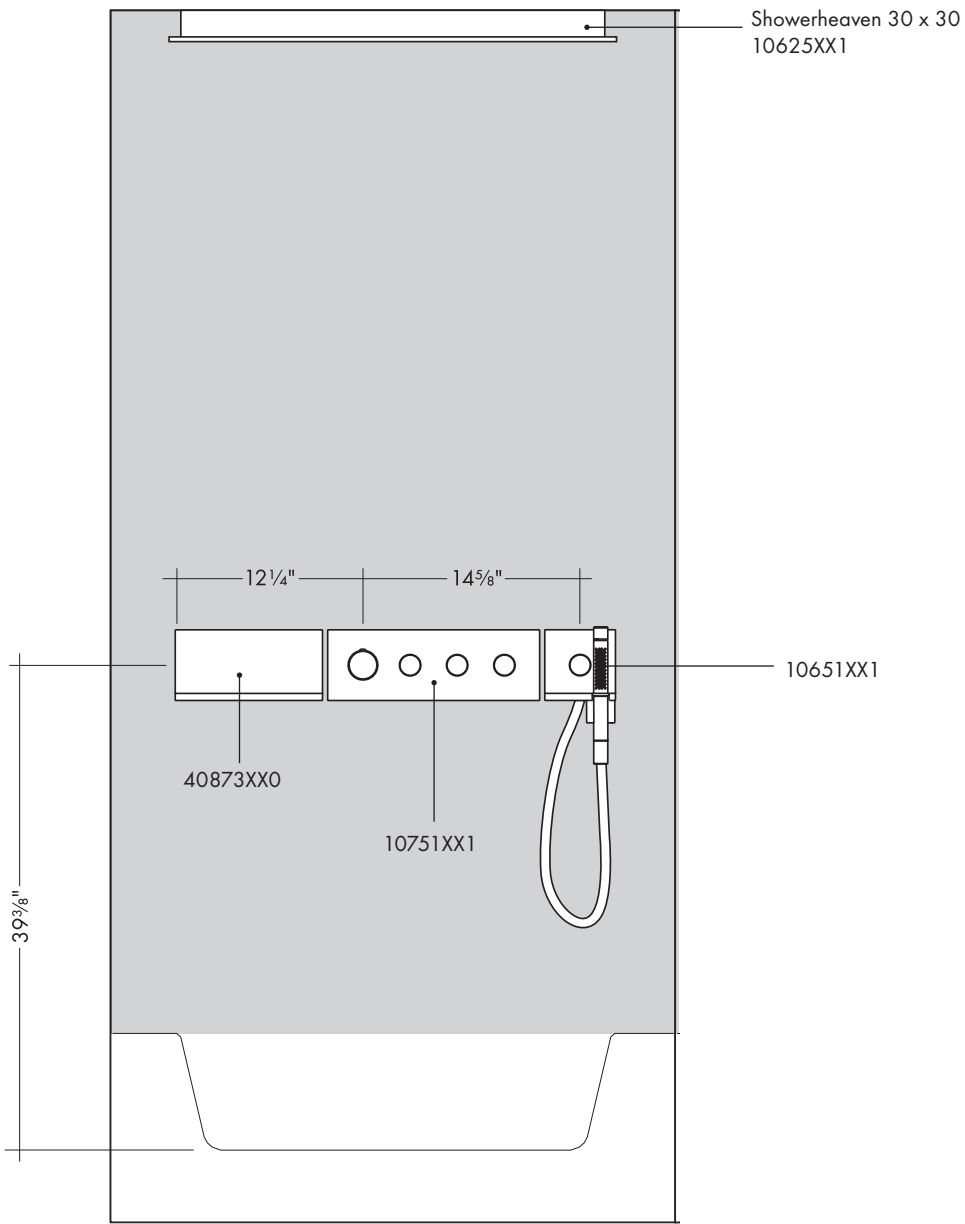
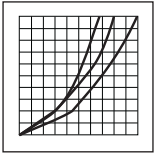


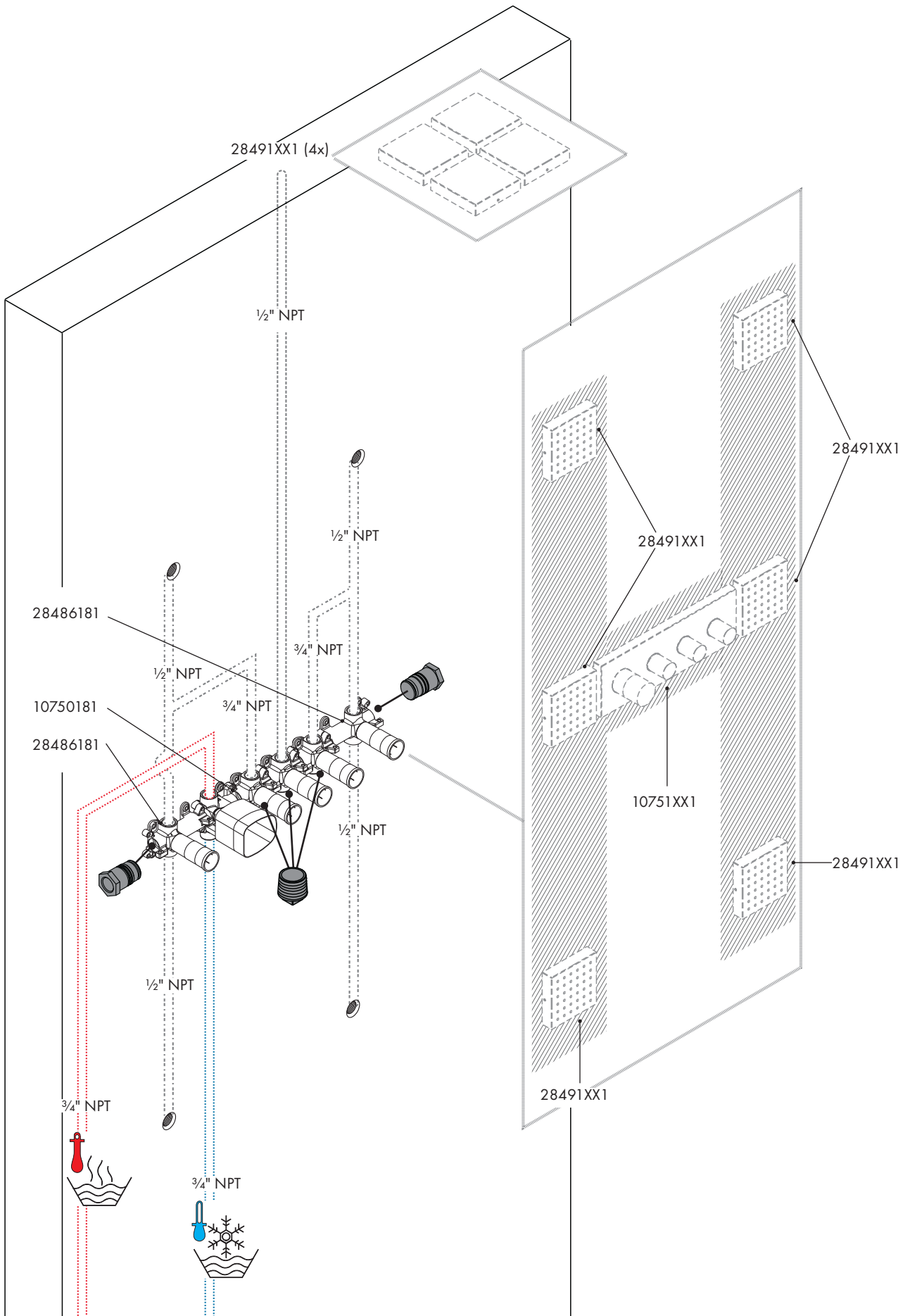
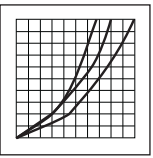


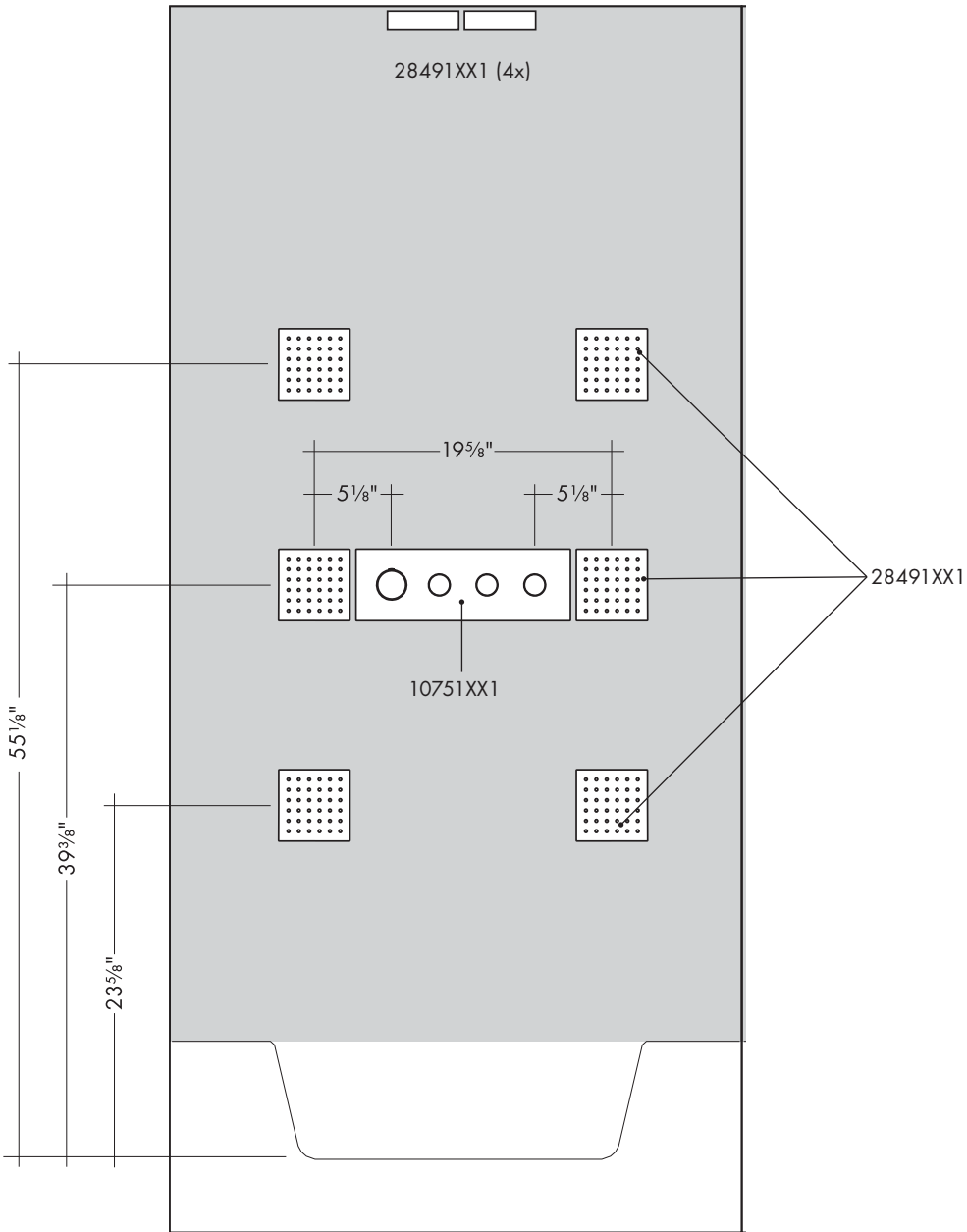
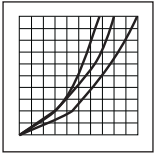


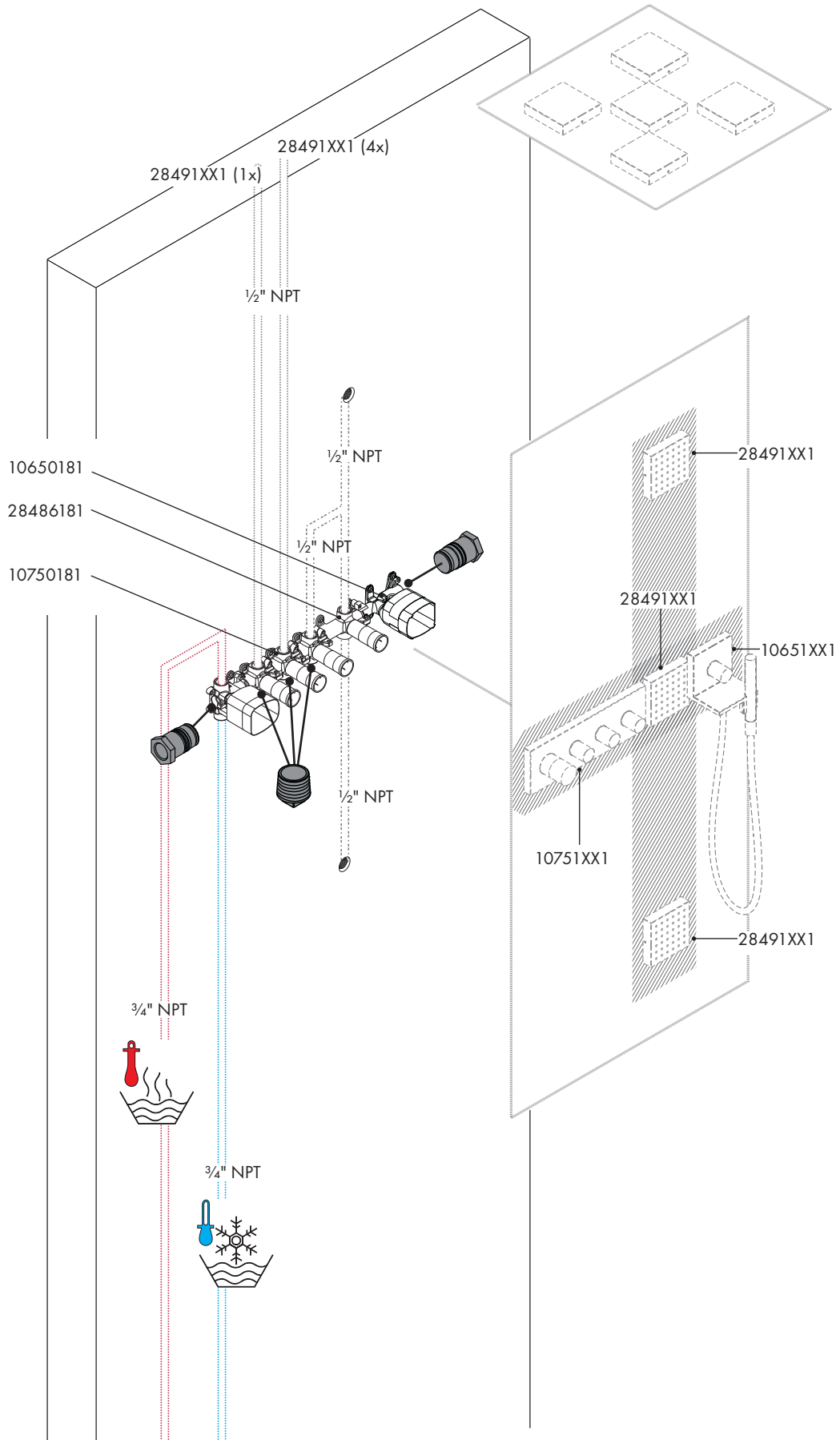
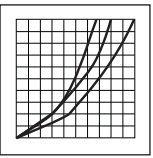


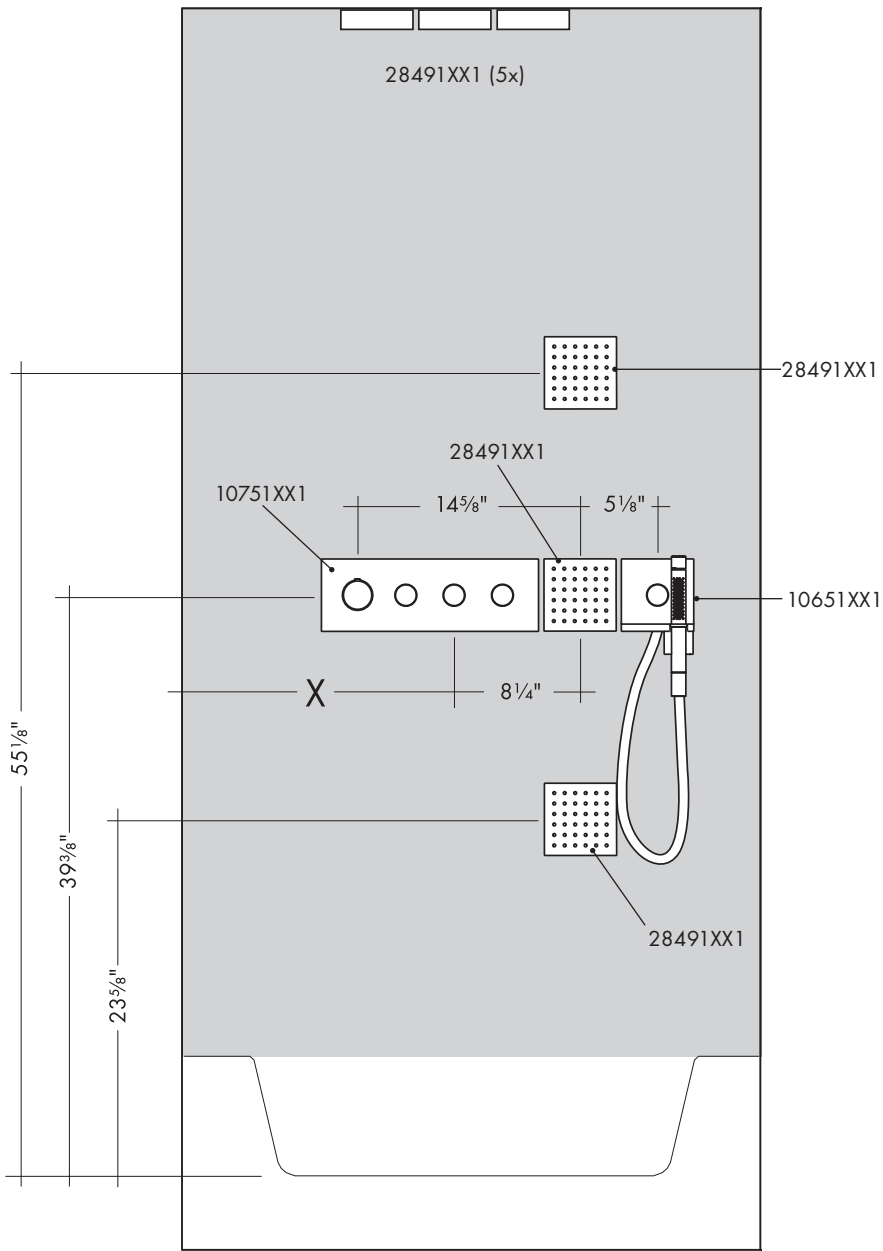
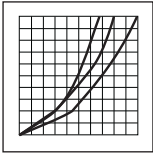


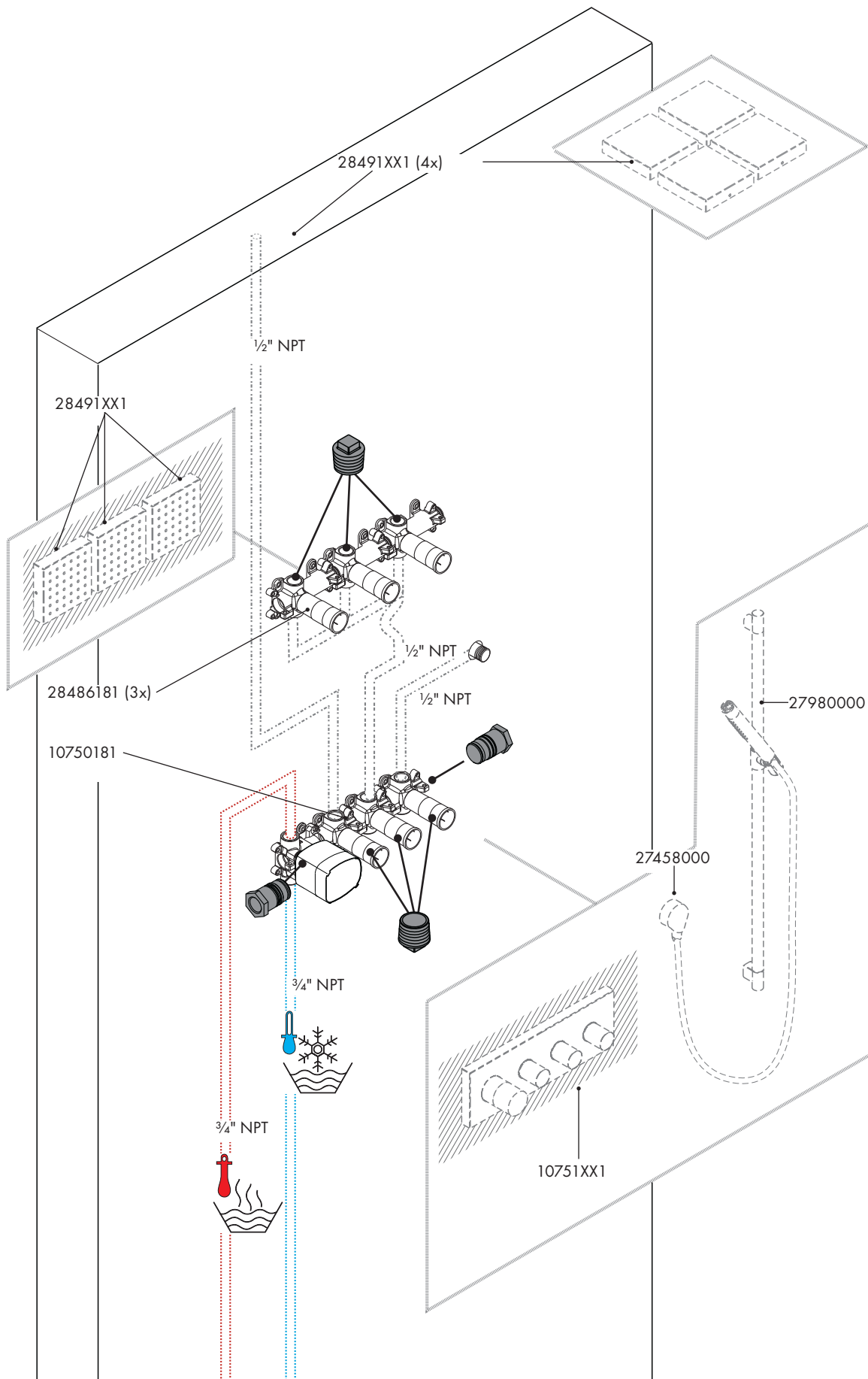
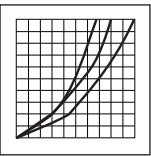


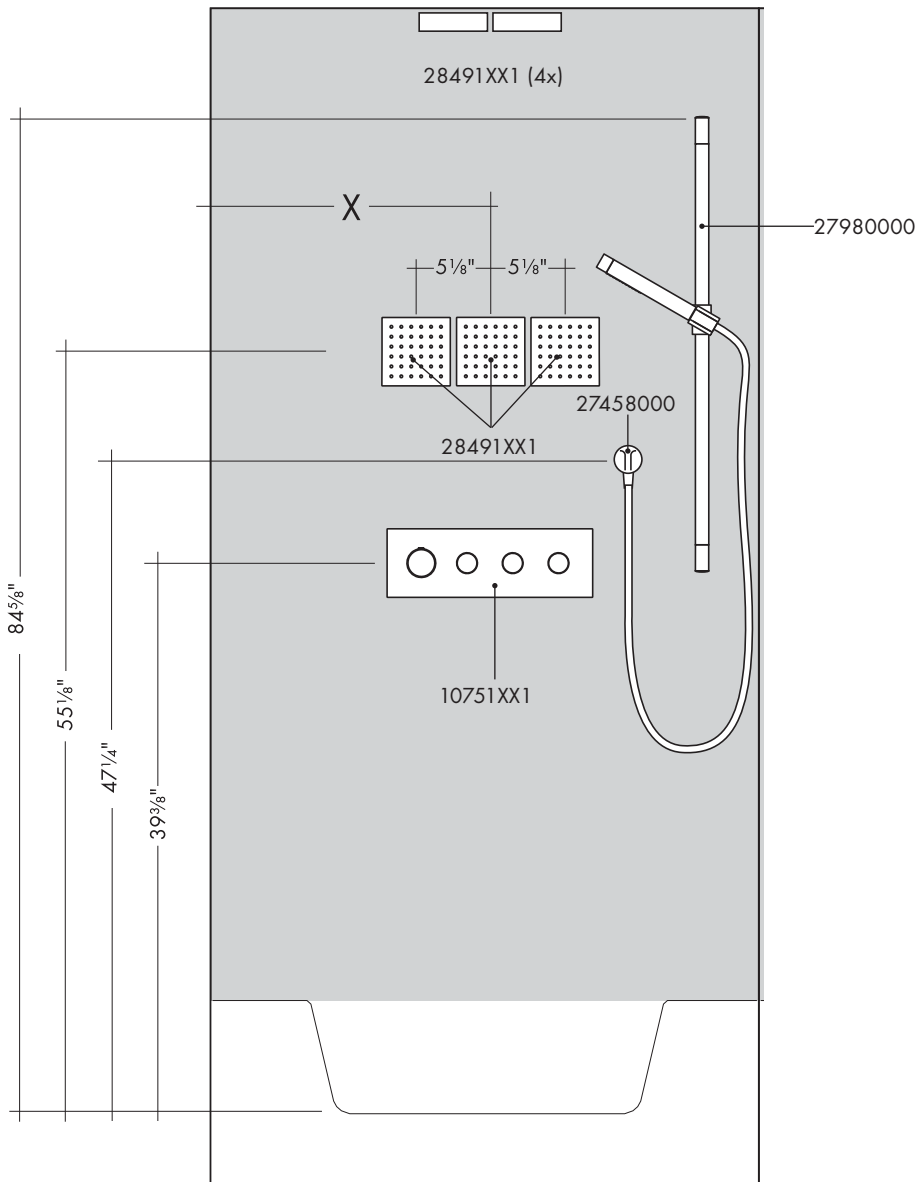
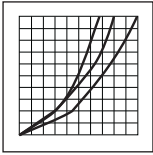


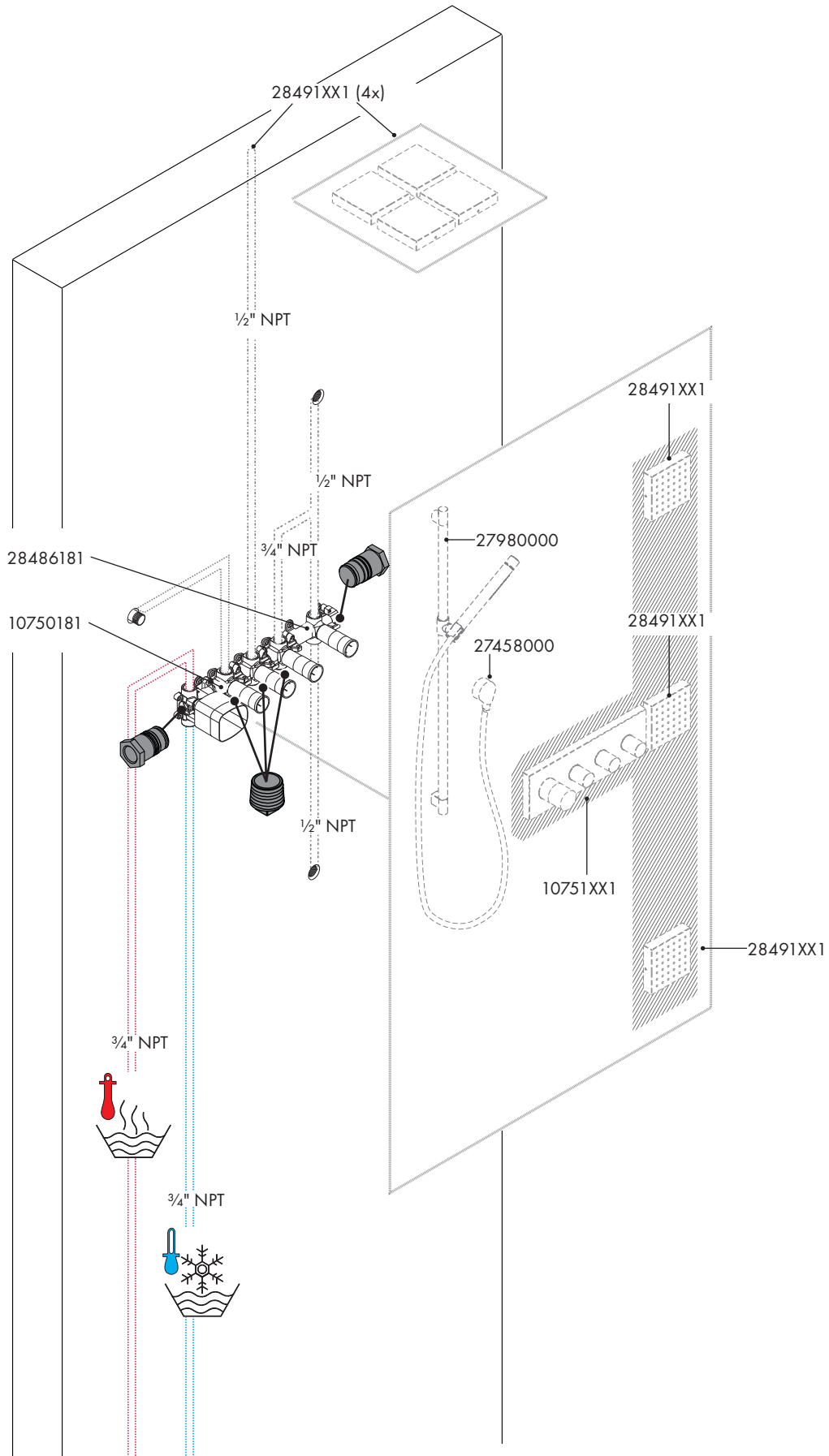
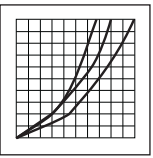


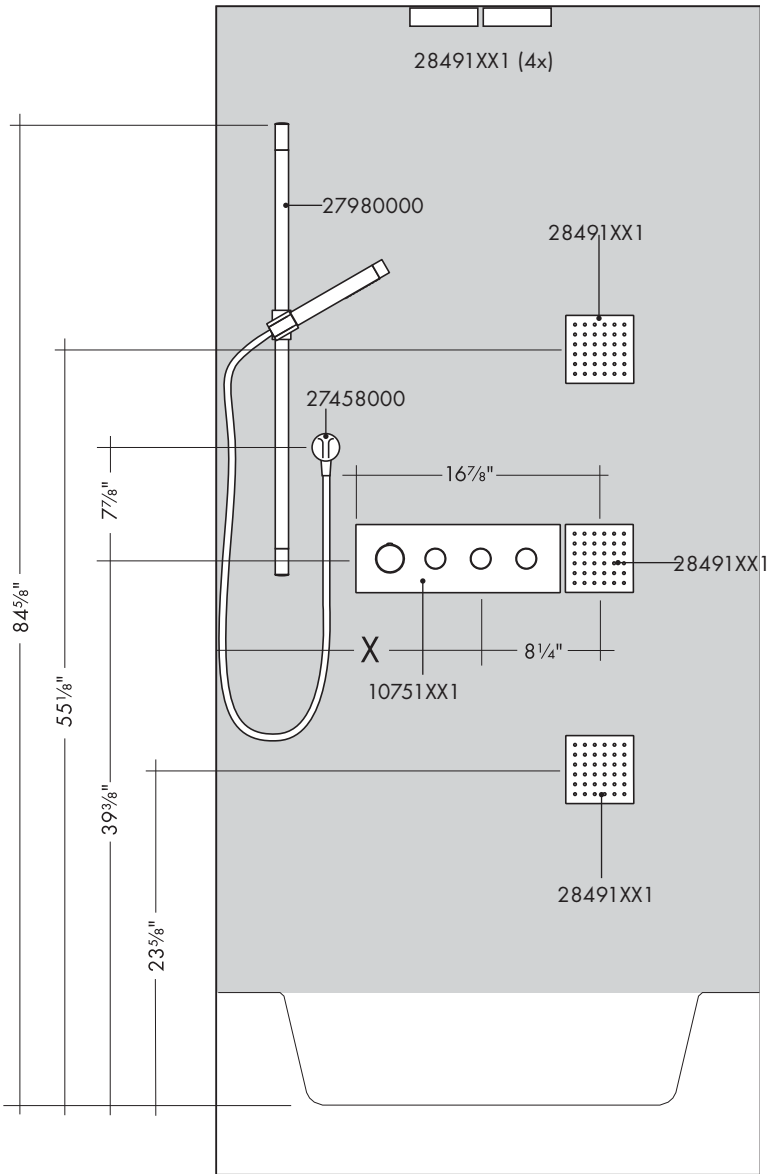
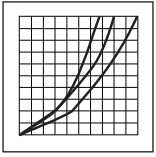


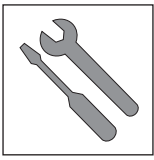










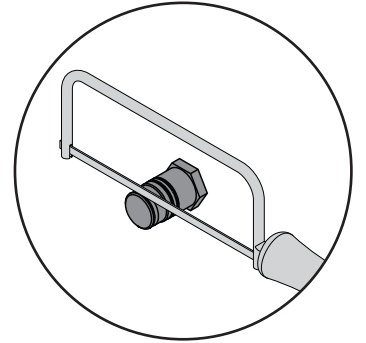
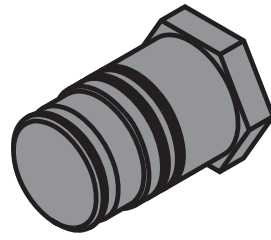


Installation Notes

The 10750181 thermostat module includes two plugs. Handshower module 10650181 and volume control 10971181 each include one plug.

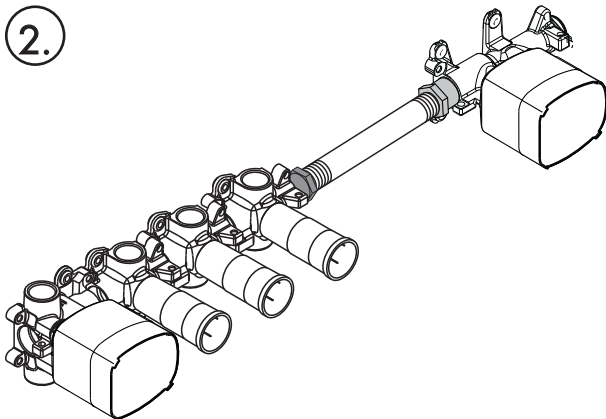
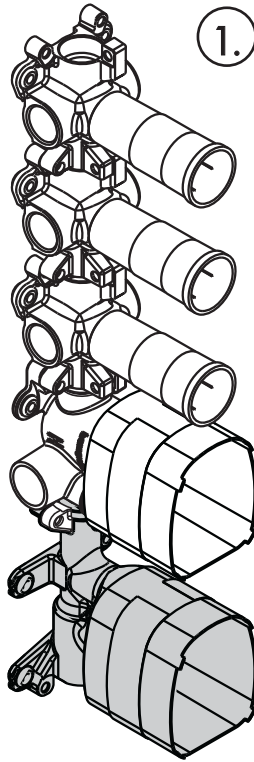
If 1/2" NPT pipe is to be connected to the end of a valve, cut the plug as shown to create an adapter.

If nothing is connected to the end of a valve, seal it using an uncut plug.



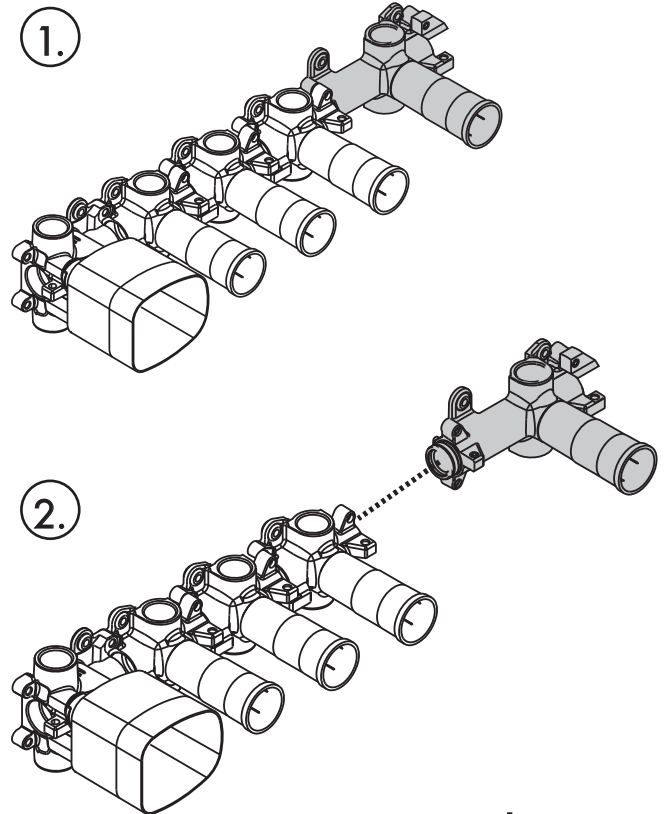
10650181

Starck handshower module 10650181 may be connected directly to the 10750181 thermostat module (1), or connected using 1/2" NPT pipe (2).

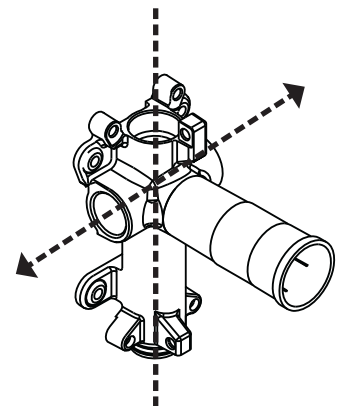


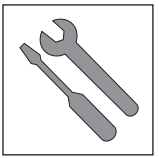
10971181

Volume control 10971181 may be connected directly to the 10750181 thermostat module (1), or in a free installation (2).



The the 3/4" NPT side ports are the outlets. If only one is used, the second must be plugged.

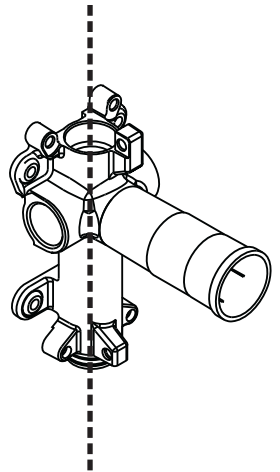




28486181

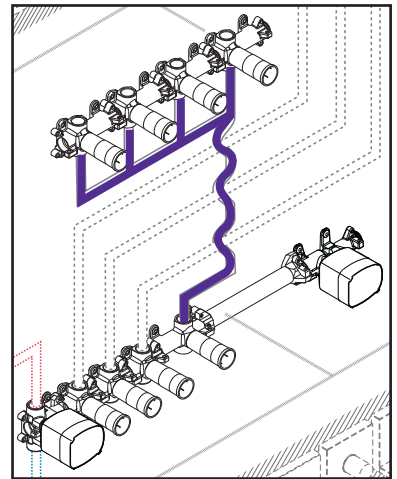
Shower module rough 28486181 may also be connected directly to the thermostat module (1) or connected using 1/2" NPT pipe.

The top and bottom ports act only as a "pass through" for water going from the thermostat module to another valve. The shower module is not supplied from these ports.

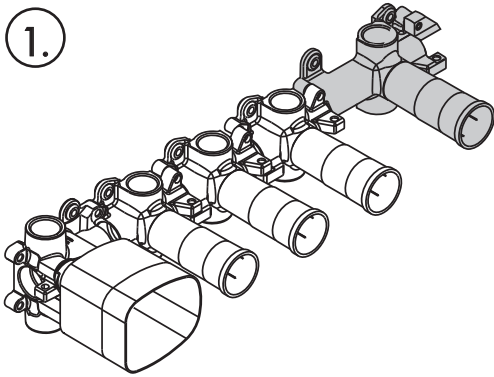


Multiple shower module roughs may be connected.

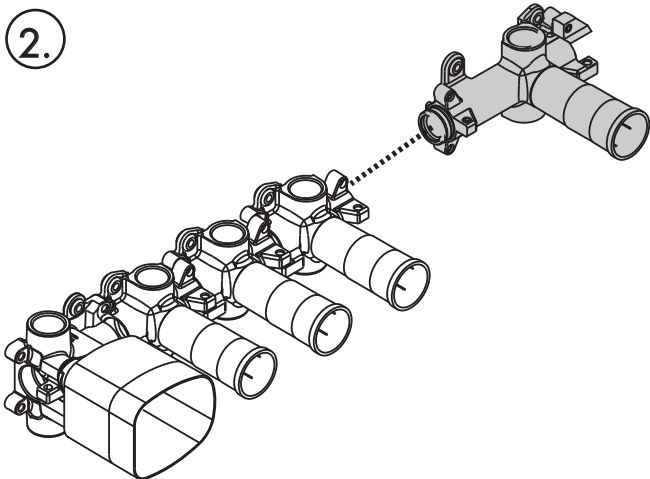
In this diagram, the four connected 28486181 are supplied from the 10971181 volume control.



1.

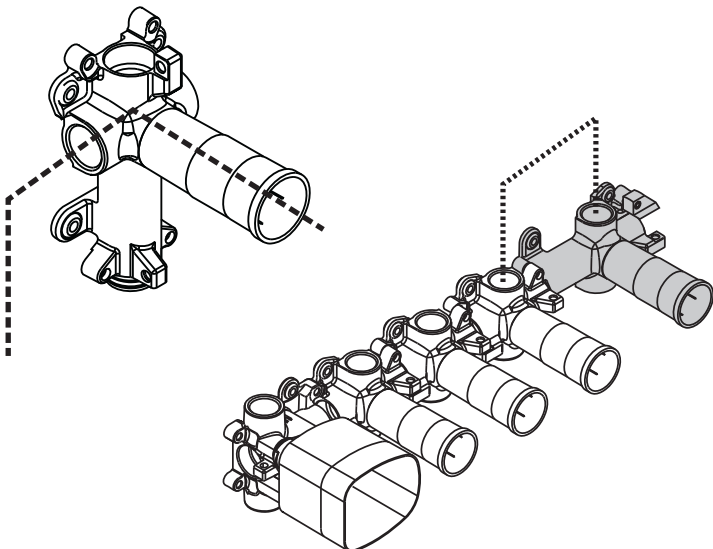


2.



The shower module must be supplied through one of the 3/4" NPT side inlets.

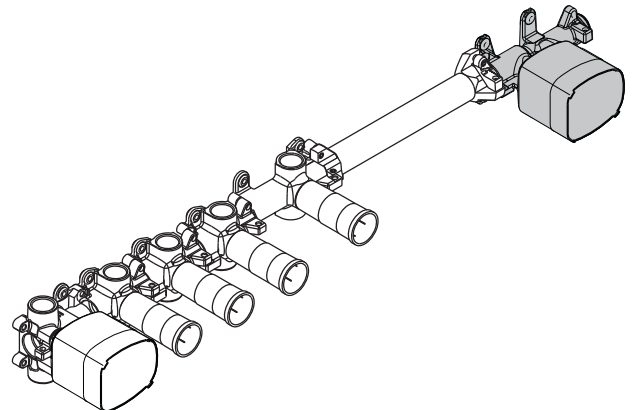
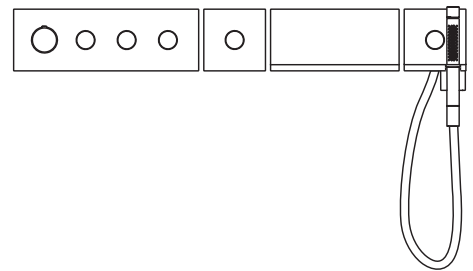
The unused inlet must be plugged.

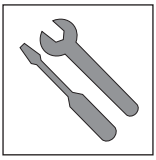


40878180

40877180

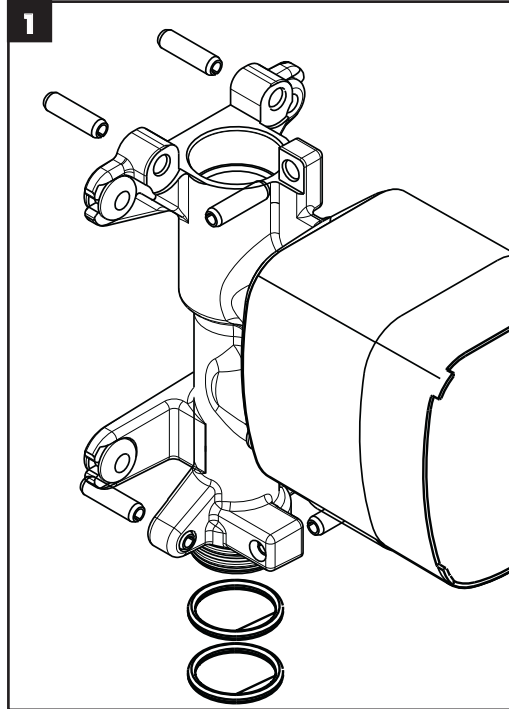
Use the extension pipe when a shelf is to be installed between two connected valves.





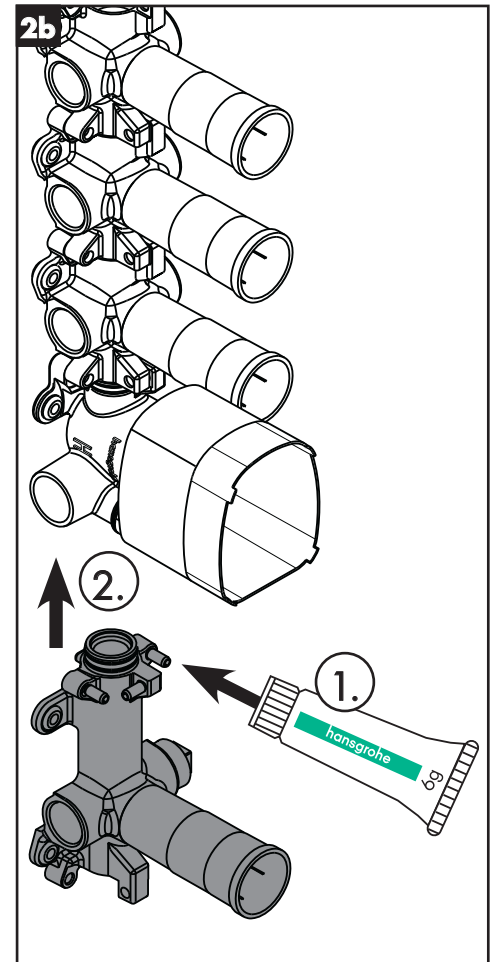
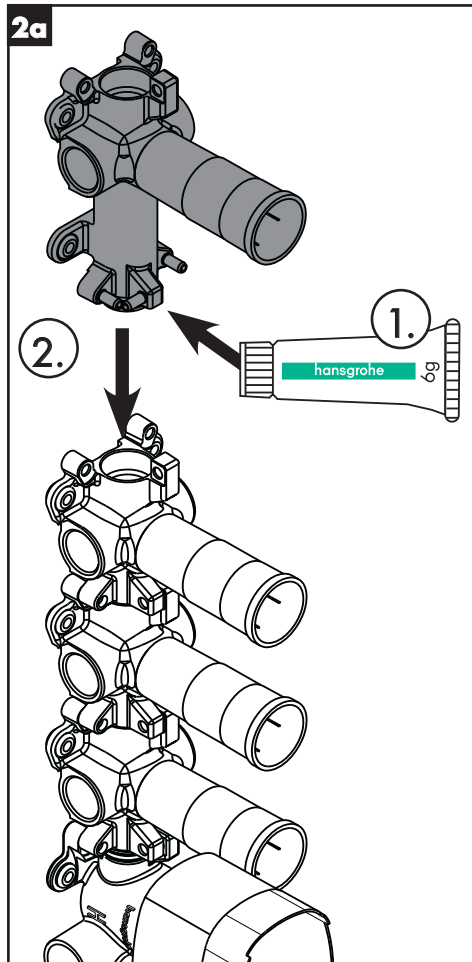
Installation

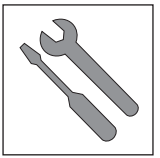
Multiple valves may be connected.
Install the dowel pins on the valve.



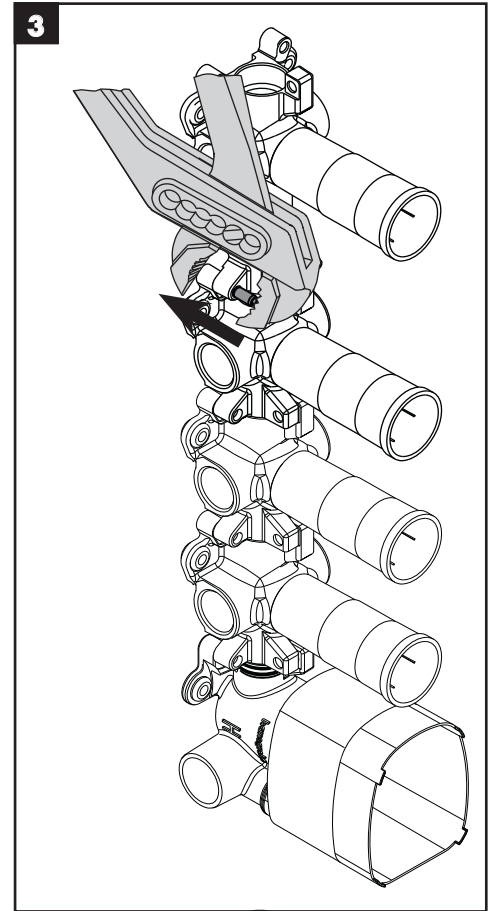
Lubricate the o-rings using the enclosed grease (1). Push the valve inlet of one valve over the outlet of another (2).

The additional valve(s) may be connected to either end of the thermostat module.



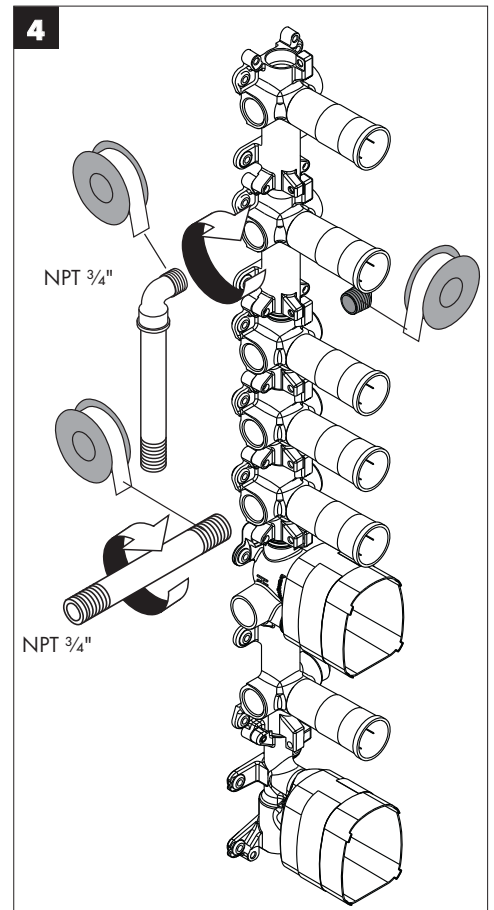


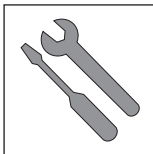
Use a plier to connect the valves with the dowel pins.



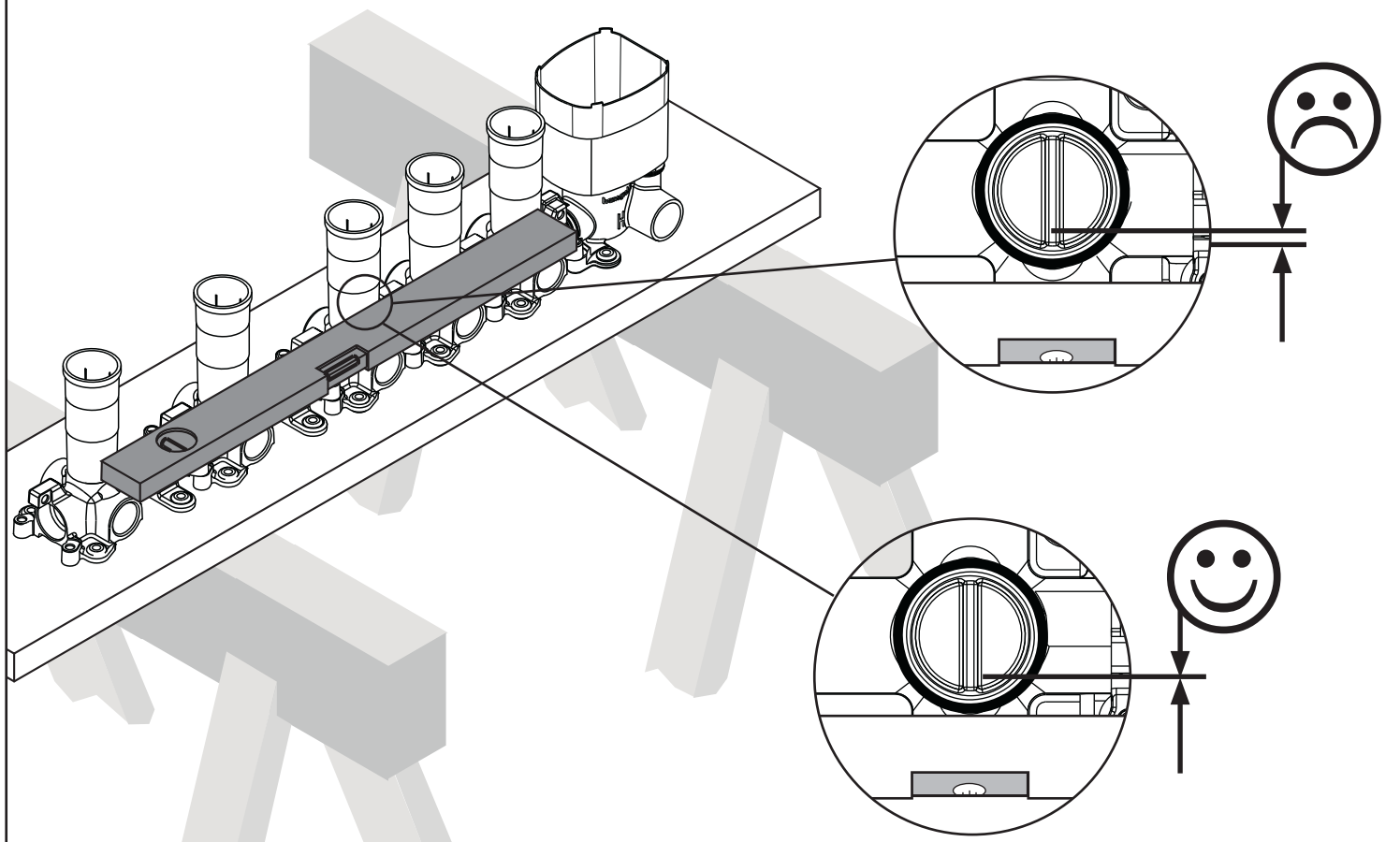
Install outlet pipes on the volume control valves. Wrap the threads using Teflon tape.

Plug unused outlets using $\frac{3}{4}$ " plugs.





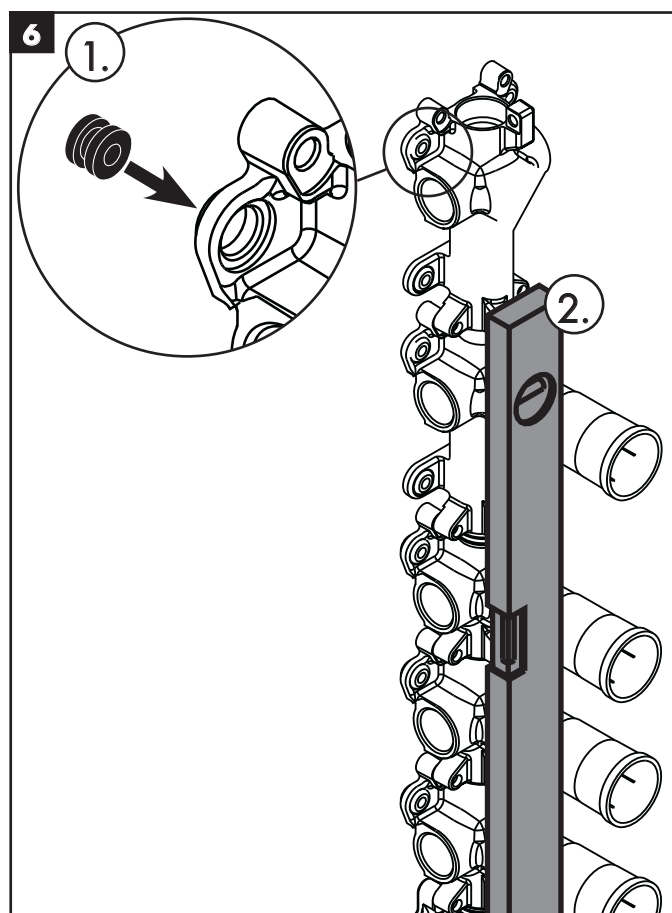
5

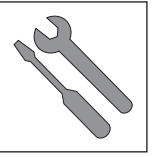


Make sure that the connected valves are level.

Install the noise reducers on the valves (1).

Confirm that the connected valves are level in all planes (2).

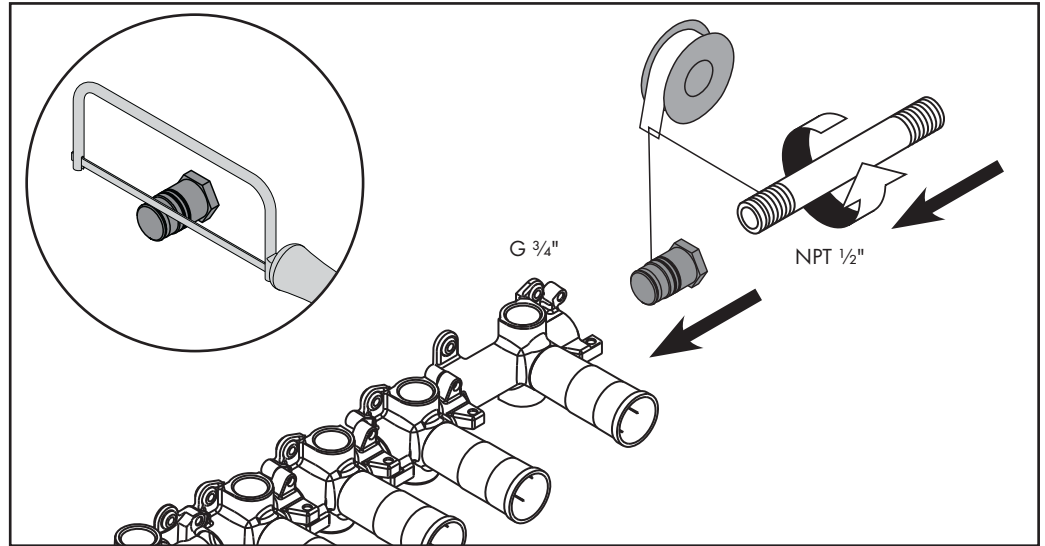




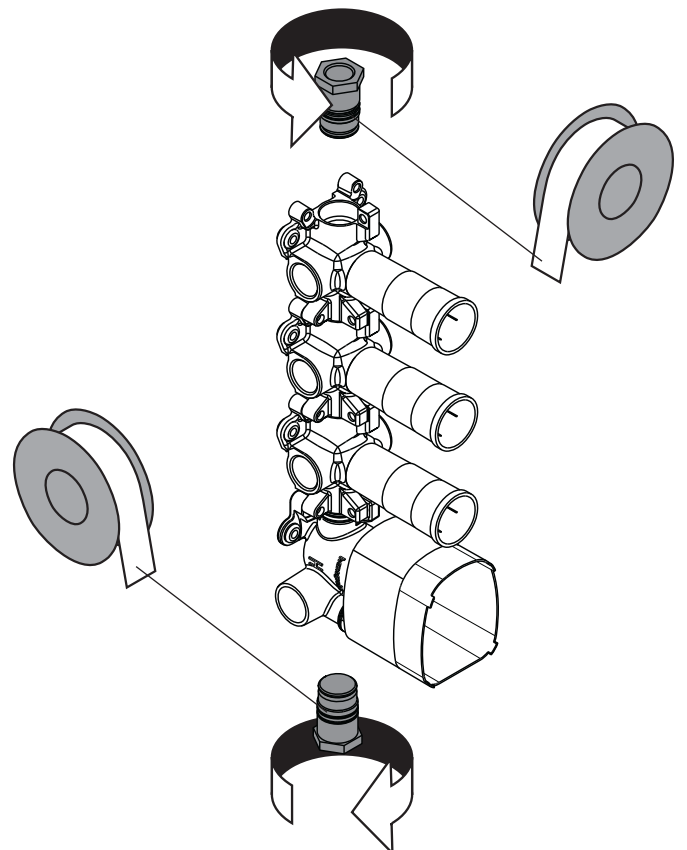
If installing 1/2" NPT pipe between the thermostat module and another valve or bodysprays, install the adapter (see page 26).

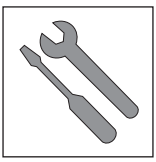
Wrap the adapter with Teflon tape. Install it in the end of the thermostat module or valve group.

Wrap the threads on the pipe with Teflon tape and install it in the adapter.



Wrap the threads on the plugs with Teflon tape and install them in the ends of the valve group.

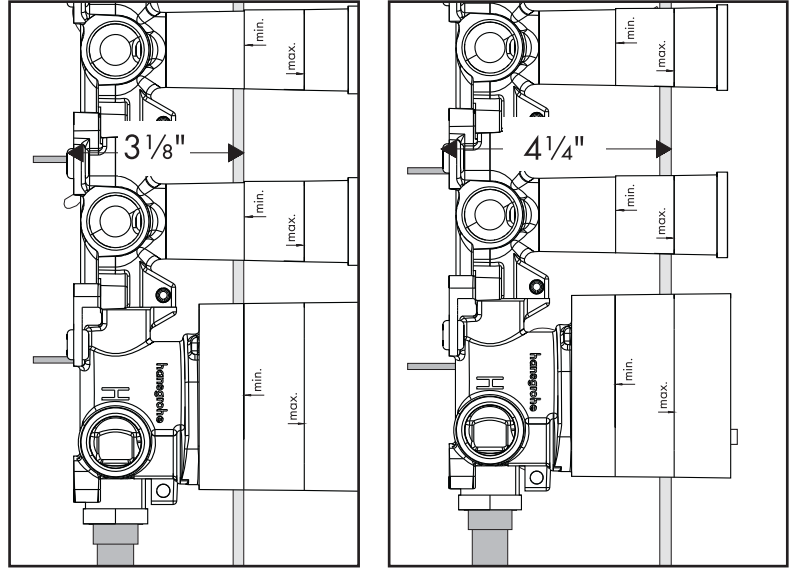




Install the valve group in the wall.

To insure proper fit of the trim, the outside surface of the finished wall must fall between the "min" and "max" markings on the plaster shields.

The thermostat module should be screwed firmly to a header board or other backing.



Install the hot and cold supplies on the thermostatic mixer.

To insure correct operation of the valve, the hot supply must be connected to the hot inlet, and the cold supply must be connected to the cold inlet.

Flush the valves

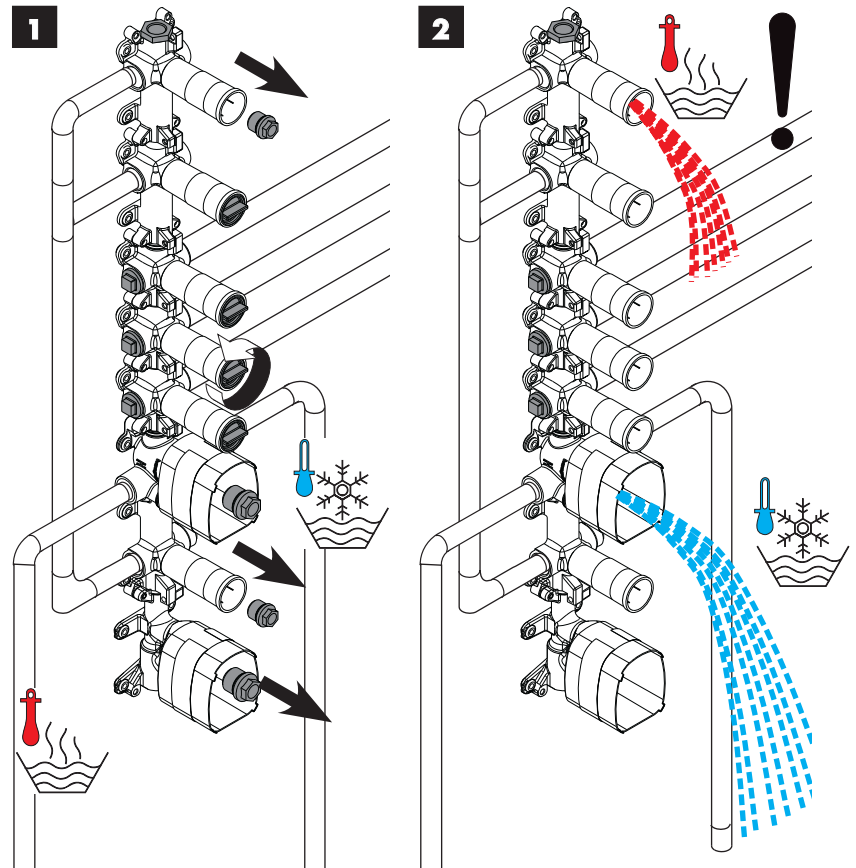
Remove the plug at the front of the thermostatic mixer.

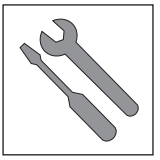
If bodyspray rough 28486181 is used, remove the plug from it.

Turn the volume controls to the "on" position.

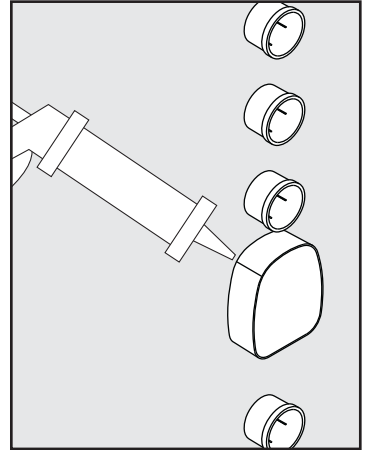
Turn on the water and flush the hot and cold supply lines through the thermostatic mixer valve for at least five minutes.

The cold supply will flush through the outlet at the front of the thermostatic mixer. The hot supply will flush through the valves.

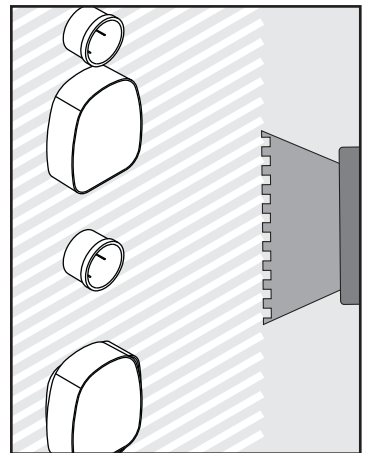




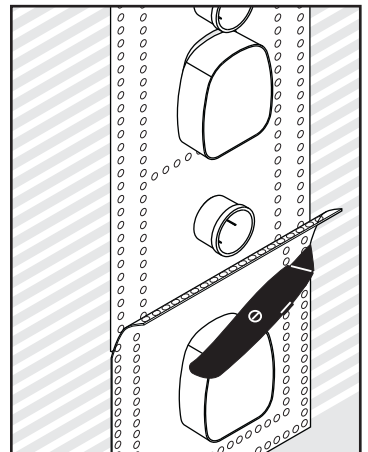
Install sheet rock or backer board over the valves.
Seal the wall around the plaster shields using waterproof sealant.



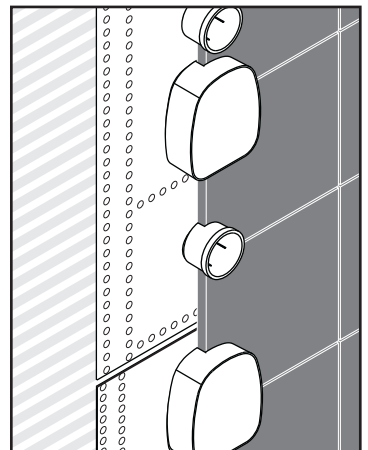
Brush adhesive (not included) over the backer board.



Install the sealing gasket(s).
Cut the sealing gasket to size.

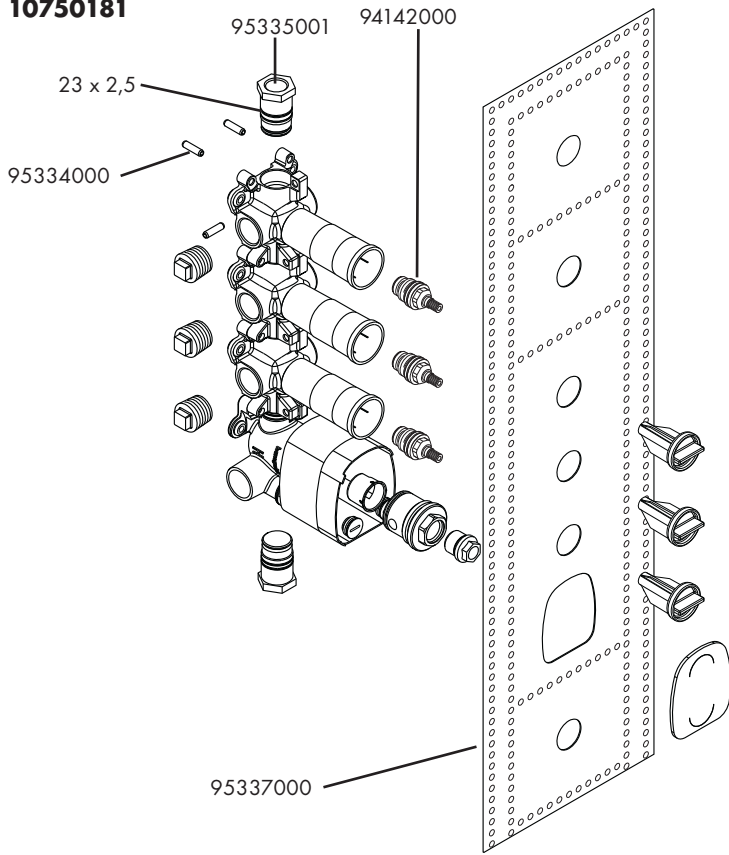


Install the tile or other finished wall material over the sealing gasket.

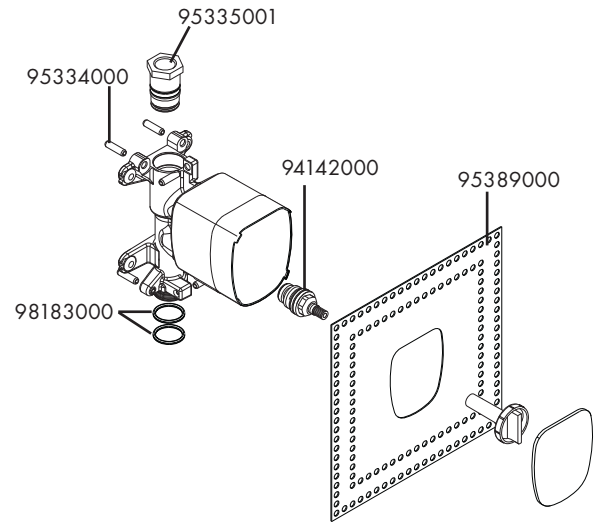


Replacement Parts

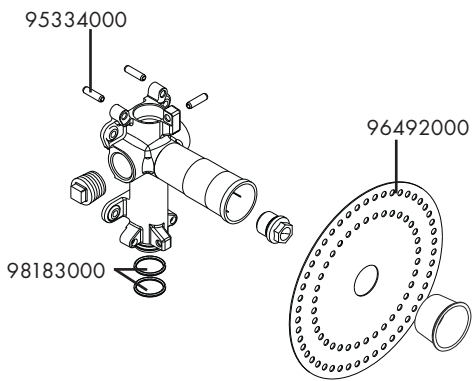
10750181



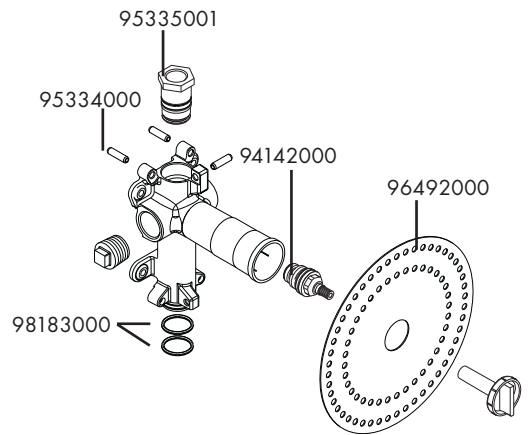
10650181



28486181



10971181



Cleaning Recommendation for Hansgrohe Products

Modern lavatory faucets, kitchen faucets, and showers consist of very different materials to comply with the needs of the market with regard to design and functionality. To avoid damage and returns, it is necessary to consider certain criteria when cleaning.

Cleaning Materials for Faucets and Showers

Acids are a necessary ingredient of cleaning materials for removing lime, however please pay attention to the following points when cleaning faucets and showers:

- Only use cleaning materials which are explicitly intended for this type of application.
- Never use cleaning materials which contain hydrochloric, formic, phosphoric, or acetic acid, as they cause considerable damage.
- Never mix one cleaning material with another.
- Never use cleaning materials or appliances with an abrasive effect, such as unsuitable cleaning powders, sponge pads, or micro fiber cloths.

Cleaning Instructions for Faucets and Showers

Please follow the cleaning material manufacturer's instructions. In addition, pay attention to the following points:

- Clean the faucets and showers as and when required
- Use the amount of cleaning product and the amount of time recommended by the manufacturer. Do not leave the cleaner on the fixture longer than necessary.
- Regular cleaning can prevent calcification.
- When using spray cleaners, spray first onto a soft cloth or sponge. Never spray directly onto the faucet as droplets can enter openings and gaps and cause damage.
- After cleaning, rinse thoroughly with clean water to remove any cleaner residue.

Important

Residues of liquid soaps, shampoos, and shower foams can also cause damage, so rinse with clean water after using.

Please note: if the surface is already damaged, the effect of cleaning materials will cause further damage.

Components with damaged surfaces must be replaced or injury could result.

Damage caused by improper treatment is not covered under the warranty.

Limited Lifetime Consumer Warranty

This product has been manufactured and tested to the highest quality standards by Hansgrohe, Inc. ("Hansgrohe"). This warranty is limited to Hansgrohe products which are purchased by a consumer in the United States after March 1, 1996, and installed in either the United States or Canada.

WHO IS COVERED BY THE WARRANTY

This warranty extends to the original consumer purchaser only. This warranty is non-transferable.

WHAT IS COVERED BY THE WARRANTY

This warranty covers only your Hansgrohe manufactured product. Hansgrohe warrants this product against defects in material or workmanship as follows: Hansgrohe will repair at no charge for parts only or, at its option, replace any product or part of the product that proves defective because of improper workmanship and/or material, under normal installation, use, service and maintenance. If Hansgrohe is unable to provide a replacement and repair is not practical or cannot be timely made, Hansgrohe may elect to refund the purchase price in exchange for the return of the product.

LENGTH OF WARRANTY

Replacement or repaired parts of products will be covered for the term of this warranty as stated in the following two sentences. If you are a consumer who purchased the product for use primarily for personal, family, or household purposes, this warranty extends for as long as you own the product and the home in which the product is originally installed. If you purchased the product for use primarily for any other purpose, including, without limitation, a commercial purpose, this warranty extends only (i) for 1 year, with respect to Hansgrohe and Commercial products, and (ii) for 5 years, with respect to AXOR products.

THIS WARRANTY DOES NOT COVER, AND HANSGROHE WILL NOT PAY FOR:

- A. Conditions, malfunctions or damage not resulting from defects in material or workmanship.
- B. Conditions, malfunctions or damage resulting from (1) normal wear and tear, improper installation, improper maintenance, misuse, abuse, negligence, accident or alteration, or (2) the use of abrasive or caustic cleaning agents or "no-rinse" cleaning products, or the use of the product in any manner contrary to the product instructions. (3) Conditions in the home such as excessive water pressure or corrosion.
- C. Labor or other expenses for the disconnection, deinstallation, or return of the product for warranty service, or for installation or reinstallation of the product (including but not limited to proper packaging and shipping costs), or for installation or reinstallation of the product.
- D. Accessories, connected materials and products, or related products not manufactured by Hansgrohe.

TO OBTAIN WARRANTY PARTS OR INFORMATION

Contact your Hansgrohe retailer, or contact Technical Service at:

Hansgrohe Inc.
1492 Bluegrass Lakes Parkway
Alpharetta GA 30004
Toll-free (800) 334-0455.

In requesting warranty service, you will need to provide

1. The sales receipt or other evidence of the date and place of purchase.
2. A description of the problem.
3. Delivery of the product or the defective part, postage prepaid and carefully packed and insured, to Hansgrohe Inc. 1492 Bluegrass Lakes Parkway, Alpharetta, Georgia 30004, Attention: Technical Service, if required by Hansgrohe.

When warranty service is completed, any repaired or replacement product or part will be returned to you postage prepaid.

EXCLUSIONS AND LIMITATIONS

REPAIR OR REPLACEMENT (OR, IN LIMITED CIRCUMSTANCES, REFUND OF THE PURCHASE PRICE) AS PROVIDED UNDER THIS WARRANTY IS THE EXCLUSIVE REMEDY OF THE PURCHASER. HANSGROHE NEITHER ASSUMES NOR AUTHORIZES ANY PERSON TO CREATE FOR IT ANY OBLIGATION OR LIABILITY IN CONNECTION WITH THIS PRODUCT.

HANSGROHE SHALL NOT BE LIABLE TO PURCHASER OR ANY PERSON FOR ANY INCIDENTAL, SPECIAL, OR CONSEQUENTIAL DAMAGES, ARISING OUT OF BREACH OF THIS WARRANTY OR ANY IMPLIED WARRANTY (INCLUDING MERCHANTABILITY).

Some States do not allow the exclusion or limitation of incidental or consequential damages, so the above limitation or exclusion may not apply to you. This warranty gives you specific legal rights, and you may have other rights which vary from State to State. You may be required by law to give us a reasonable opportunity to correct or cure any failure to comply before you can bring any action in court against us under the Magnuson-Moss Warranty Act.

PRODUCT INSTRUCTIONS AND QUESTIONS

Upon purchase or prior to installation, please carefully inspect your Hansgrohe product for any damage or visible defect. Prior to installing, always carefully study the enclosed instructions on the proper installation and the care and maintenance of the product. If you have questions at any time about the use, installation, or performance of your Hansgrohe product, or this warranty, please call or write to us or call us toll-free at 800 334 0455.

hansgrohe

Hansgrohe, Inc. • 1490 Bluegrass Lakes Parkway • Alpharetta, GA 30004
Tel. 770-360-9880 • Fax 770-360-9887

www.hansgrohe-usa.com