

Brand AXOR
Art. Name **AXOR Citterio** Wall-Mounted Single-Handle Faucet, 1.2 GPM, without Pop-up
Drain
Art. Nr. 39116001
Surface Chrome
Pos. 1

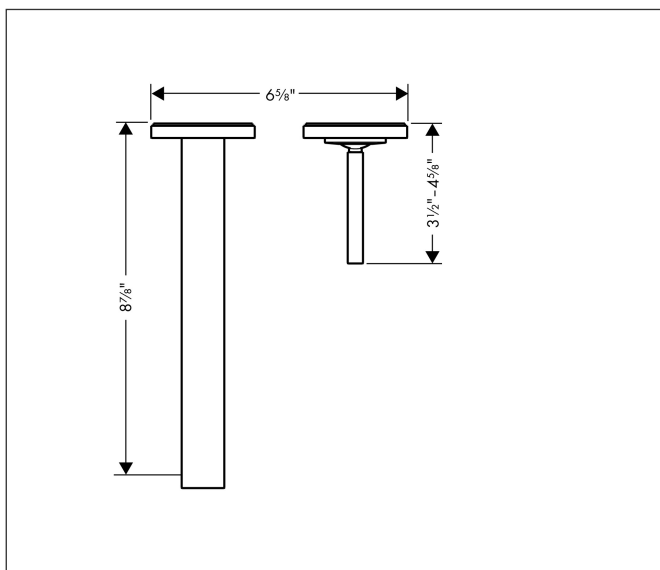
Product Picture



Features

- Handle design: pin handle
- Spray pattern: Aerated spray
- Maximum flow rate (at 3 bar): 4.5 l/min
- Ceramic cartridge

Drawing

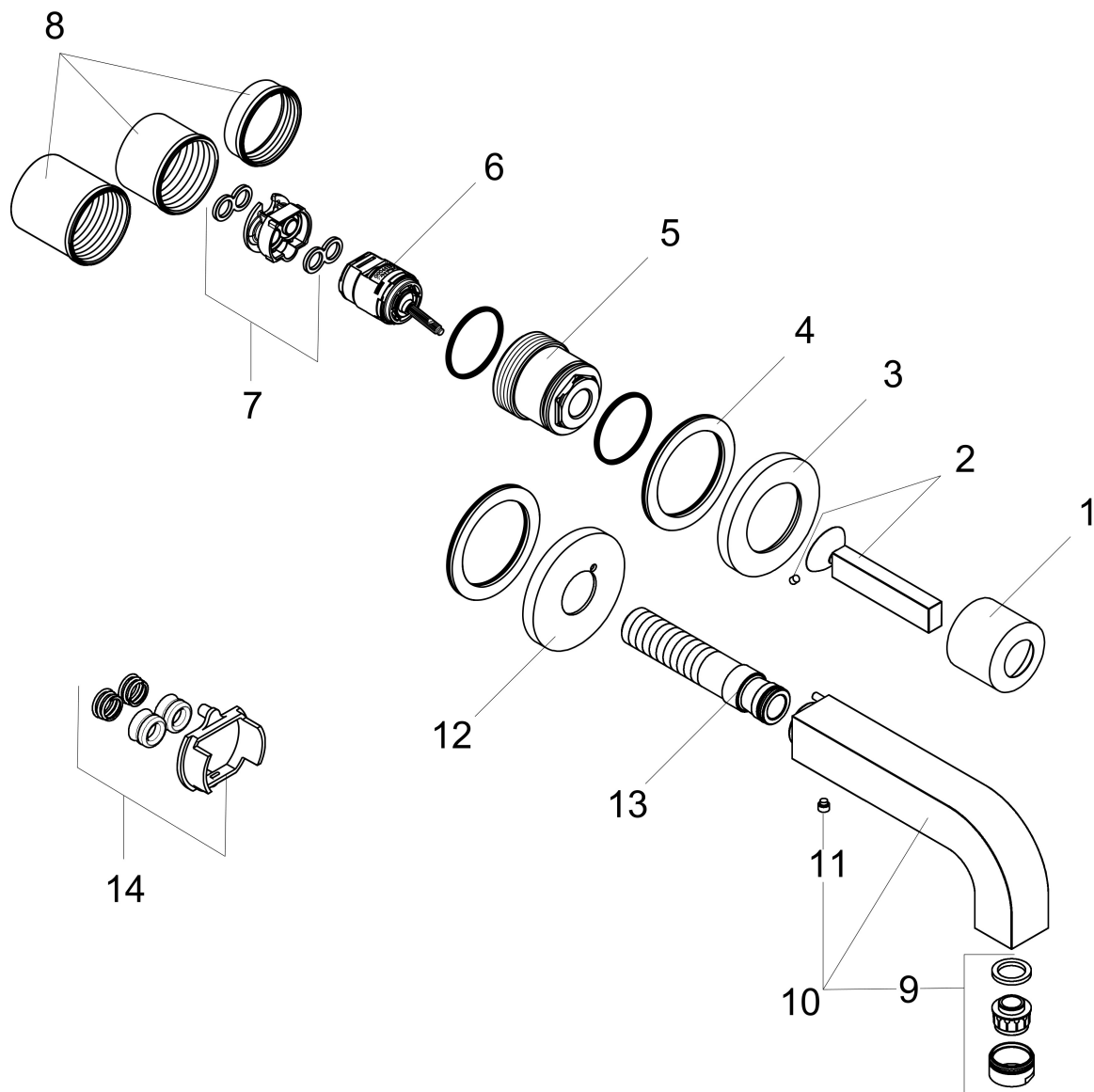


Technology



Brand AXOR
Art. Name **AXOR Citterio** Wall-Mounted Single-Handle Faucet, 1.2 GPM, without Pop-up
Drain
Art. Nr. 39116001
Surface Chrome
Pos. 1

Spare Parts Drawings for build year: >07/16



Brand AXOR
 Art. Name **AXOR Citterio** Wall-Mounted Single-Handle Faucet, 1.2 GPM, without Pop-up Drain
 Art. Nr. 39116001
 Surface Chrome
 Pos. 1

Spare parts list for build year: >07/16

Pos.	Description	Article number
1	flange	96908000
2	handle	39092000
3	escutcheon for handle	96909000
4	washer	97600000
5	nut	95645000
6	cartridge, assy	96339000
7	adapter for cartridge	95644000
8	fixing set	97971000
9	aerator M24x1 (4,5 l/min)	92877000
10	spout 220 mm	97239000
11	hollow set screw M4x6	97767000
12	escutcheon	98720000
13	connecting thread G½	97228000
14	conversion kit	95643000
a	extension set 25 mm for 13622180	31971000
b	base body	13622181
c	Grease	90920000