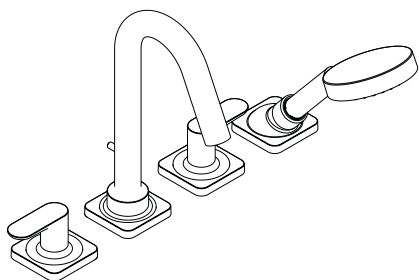


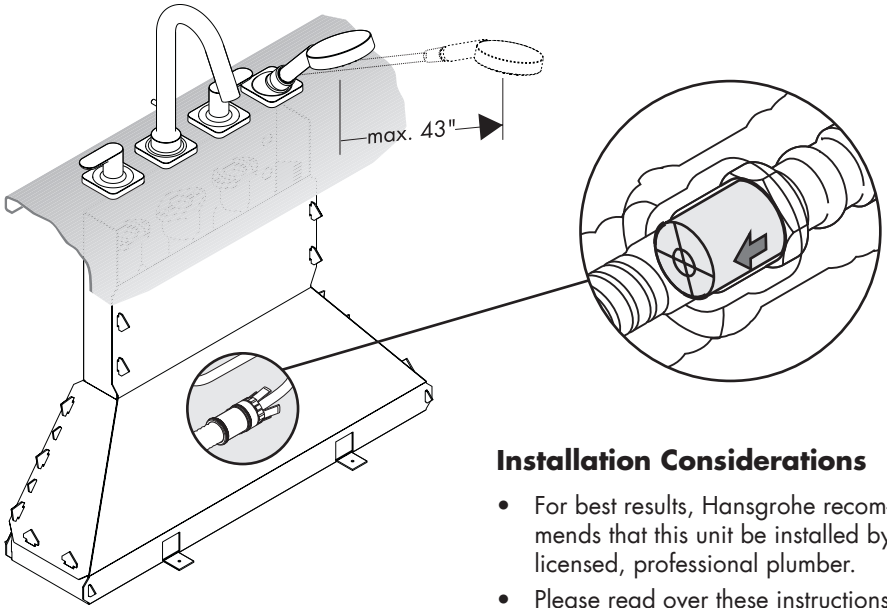
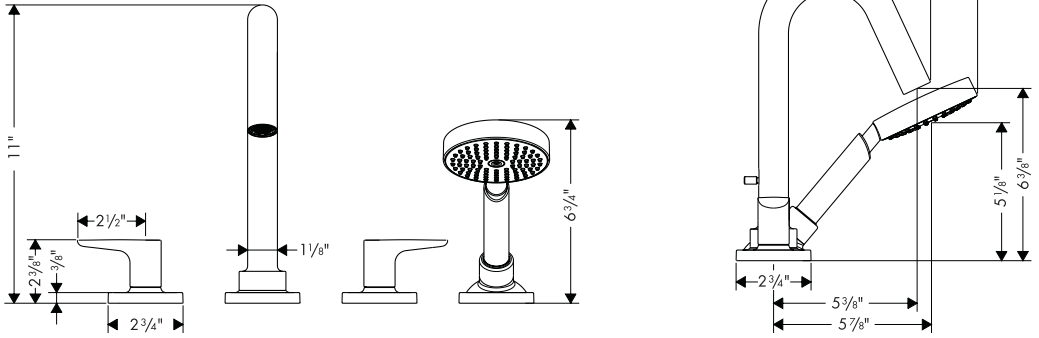
# Installation Instructions / Warranty



**Citterio M**  
34444XX1

**AXOR**<sup>®</sup>  
hansgrohe

# Axor Citterio M Trim, 4-Hole Roman Tub Set 34444XX1



## Technical Information

Recommended water pressure	14.7 - 72.5 psi
Max. water pressure	147 psi
Recommended hot water temp.	120° - 140° F*
Max. hot water temp	176°F*
Max. flow rate	5.8 gpm
Handshower flow rate	2.5 gpm

\*Please know and follow all applicable local plumbing codes when setting the temperature on the water heater.

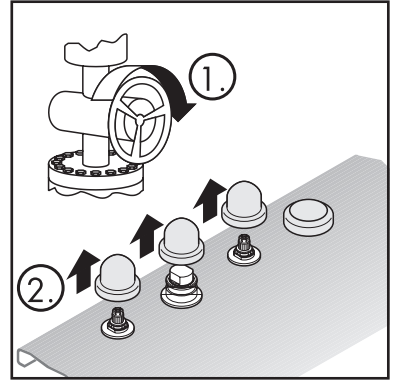
## Installation Considerations

- For best results, Hansgrohe recommends that this unit be installed by a licensed, professional plumber.
- Please read over these instructions thoroughly before beginning installation. Make sure that you have all tools and supplies needed to complete the installation.
- 4-hole roman tub rough 13444181 must be installed, and the finished surface complete and made watertight.
- Protection against back siphonage is provided by check valve. The check valve should be inspected yearly.

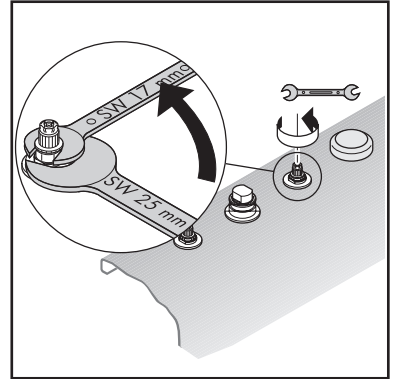
## Installation

Turn the water off at the main (1).

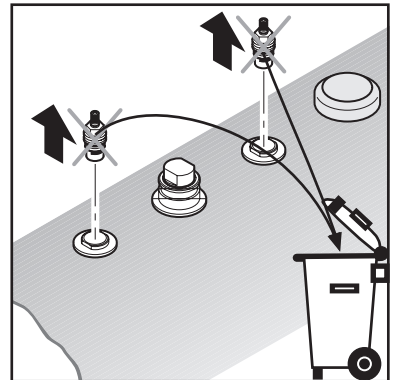
Remove the plaster shields from the valves and spout tee (2).



Remove the hot and cold cartridges from the rough. Hold the valve still with a 25 mm wrench while unscrewing the cartridge with a 17 mm wrench.

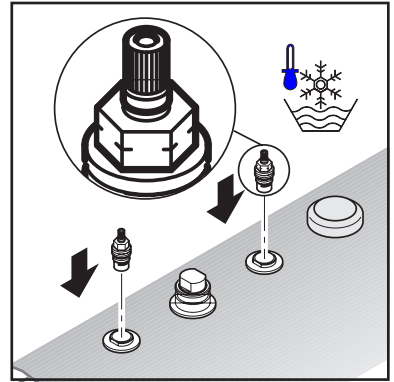


Discard the old cartridges.



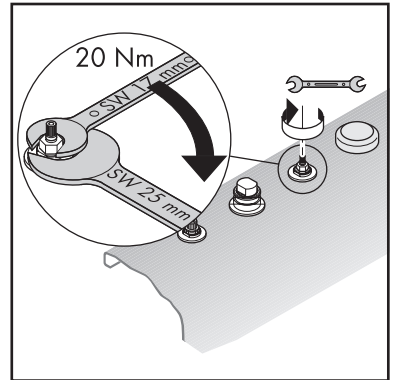
Install the new cartridges.

The cold cartridge is marked with notches on the wrench flats.



Hold the valve steady with a 25 mm wrench while tightening the cartridge with a 17 mm wrench.

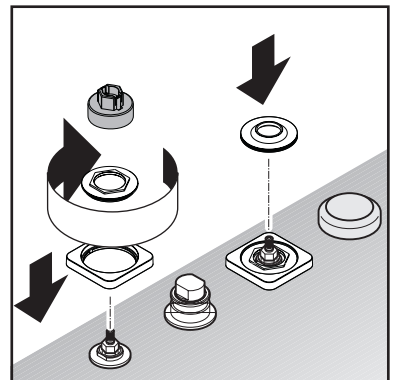
Take care not to overtighten or damage to the valve may result!



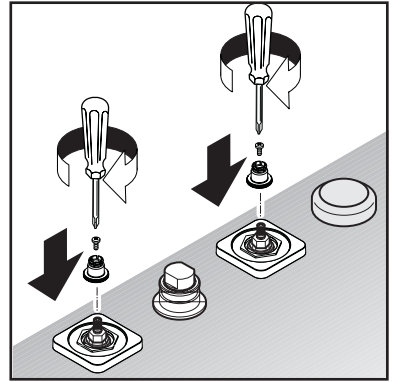
Place the square escutcheon over the valve.

Place the nut over the valve and escutcheon. Tighten the nut with the special tool.

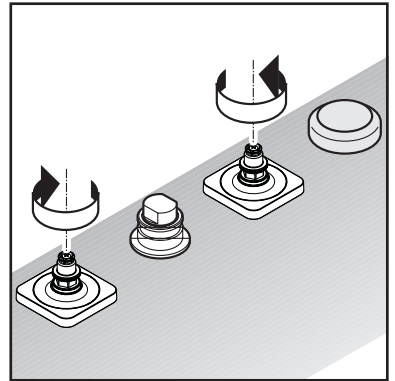
Install the round flange.



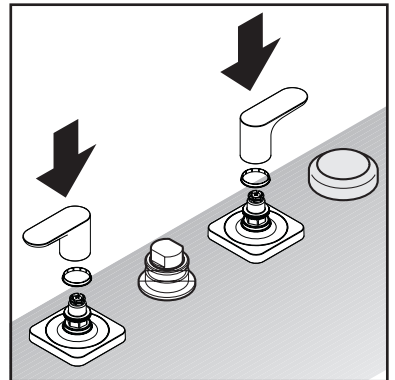
Install the handle snap connectors on the valve stems.  
Tighten the screws.



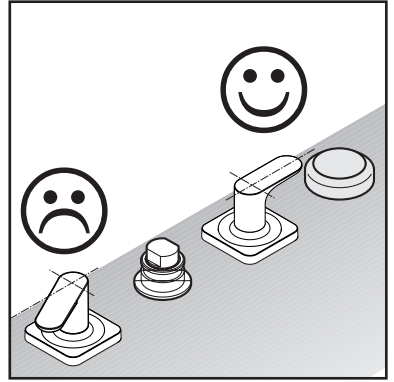
Make sure that the valve stems are in the off position.  
Turn the hot valve stem clockwise and the cold valve stem counter-clockwise.



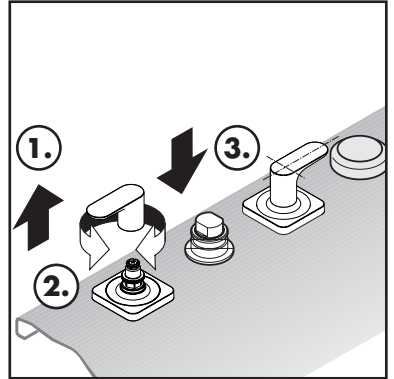
Position the handle and color ring over the stem. Press the handle firmly into place.



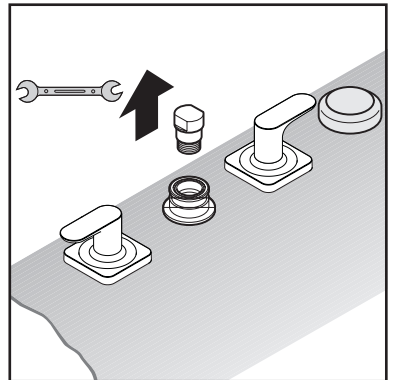
Make sure that the handles are parallel.



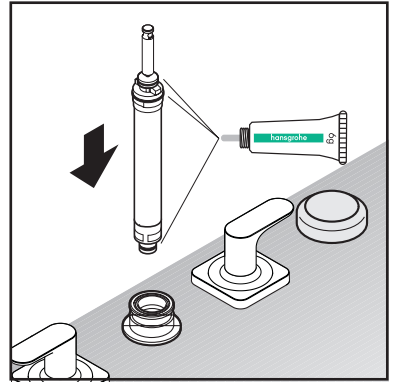
If one is not, remove it (1), turn it slightly (2), and push it back into place (3).



Remove the spout tee plug using a 27 mm wrench.



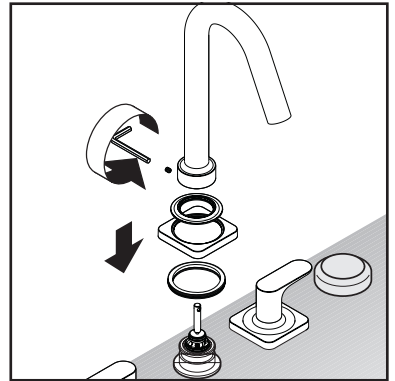
Grease the diverter o-rings with the enclosed lubricant.  
Push the diverter firmly into the spout tee.



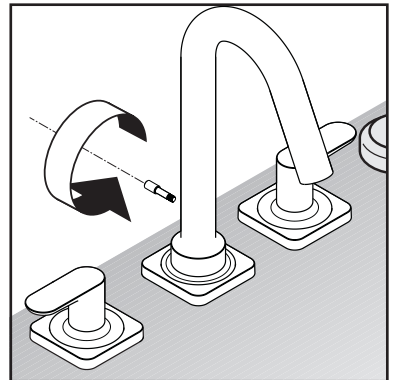
Place the sealing ring, escutcheon, and flange over the diverter stem.

Push the spout into place.

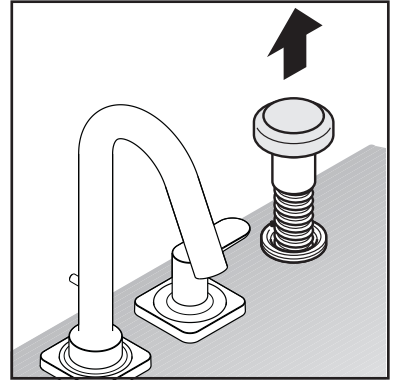
Tighten the spout screw with a 3 mm Allen wrench.



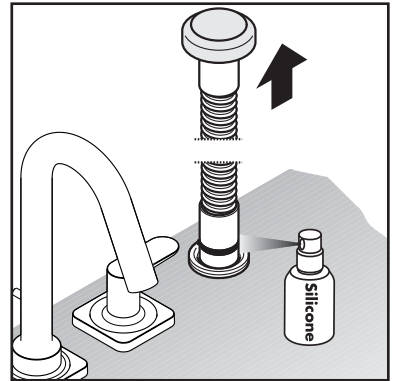
Install the diverter knob.



Grasp the Secuflex hose and pull it up and away from the mounting surface.



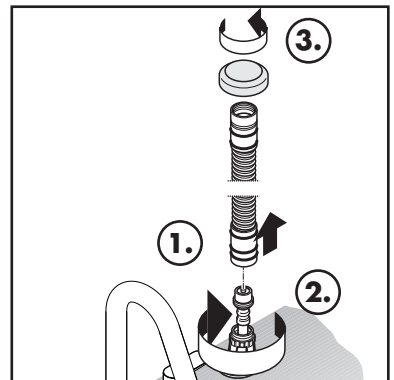
Lubricate the o-rings with silicon spray.



Pull the Secuflex hose out until the white plastic nut clears the mounting surface and the metal high pressure hose can be grasped (1).

Unscrew the Secuflex hose from the white plastic nut (2).

Remove the plaster shield from the Secuflex hose (3).

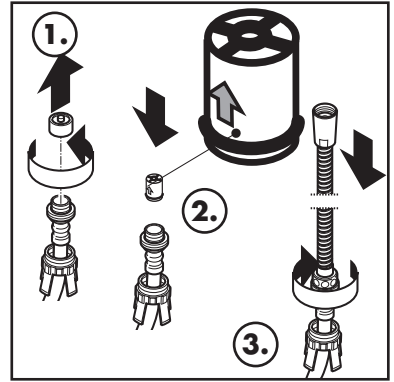




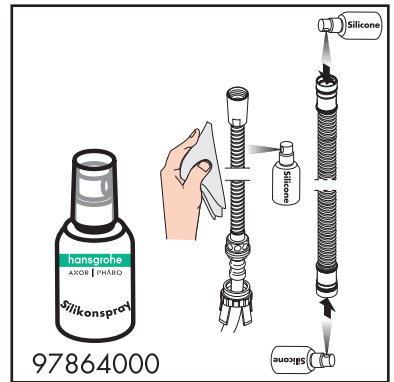
Remove the plug from the end of the high pressure hose (1).

Insert the check valve into the hose, o-ring side first (2). The arrow will indicate the direction of the water flow.

Install the handshower hose on the high pressure hose (3).

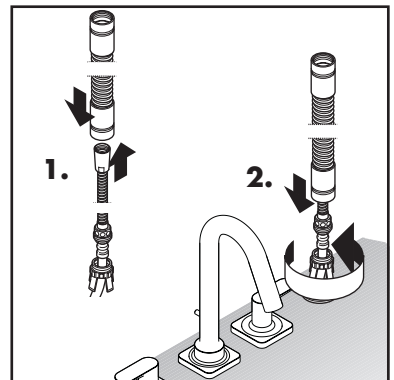


Lubricate the handshower hose and the ends of the Secuflex hose with the silicon spray.



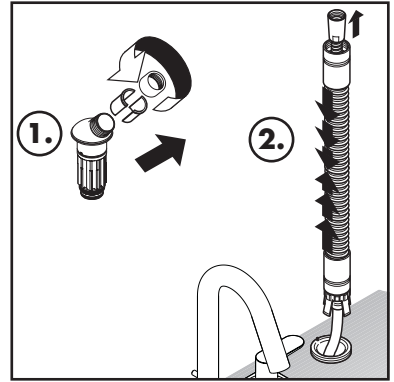
Feed the handshower hose up through the Secuflex hose (1).

Connect the Secuflex hose to the white plastic nut (2).



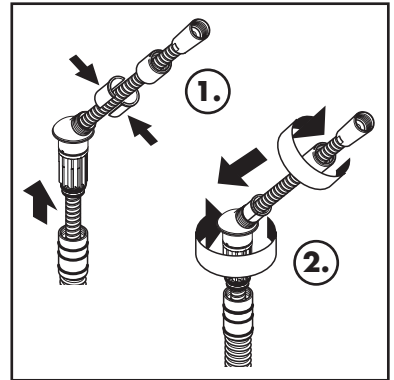
Remove the nut and insert from the handshower holder (1).

Compress the Secuflex hose until the end of the handshower hose is exposed (2).



Feed the handshower hose through the handshower holder. Snap the two halves of the insert around the hose. Slide the nut over the end of the hose (1).

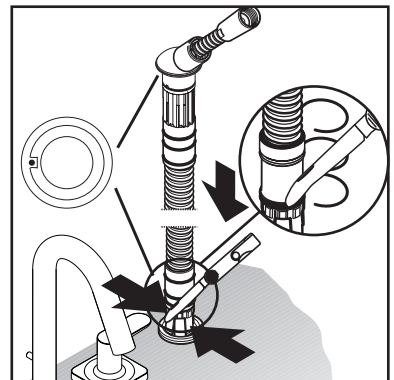
Push the insert down into the handshower holder. Screw the nut onto the handshower holder (2).



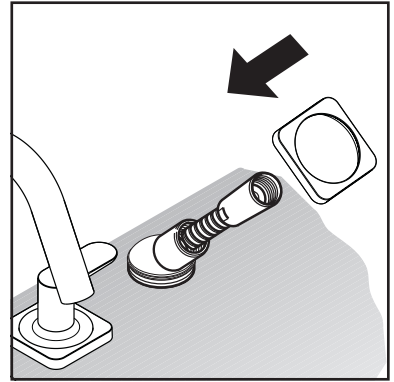
Remove the o-rings from the bottom of the Secuflex hose.

Feed the Secuflex hose down through the mounting surface.

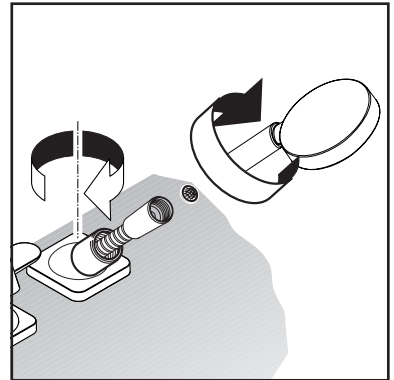
Rest the handshower holder on the shank with the hole over the shank pin.



Push the escutcheon down over the handshower holder.  
Turn it clockwise, so that it threads down over the shank.

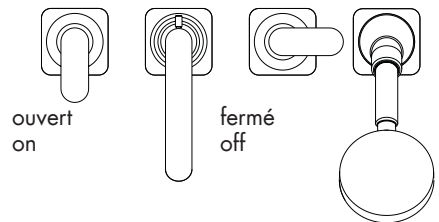


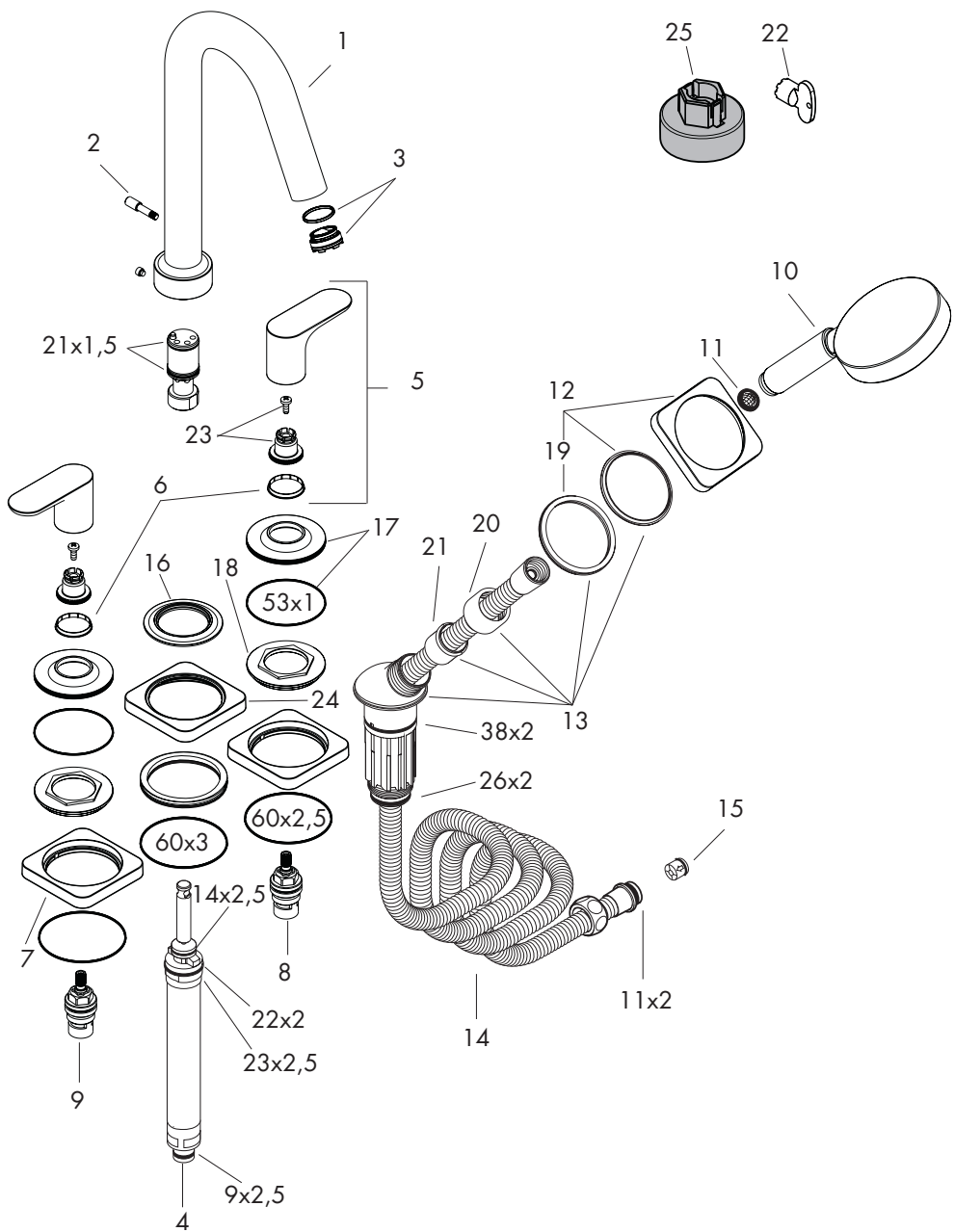
Place the screen washer in the end of the hose (1).  
Install the handshower (2).



## User Instructions

Pivot the handle forward to turn the water on – counter-clockwise for hot, clockwise for cold.





## Replacement Parts

1	spout cpl.	98997XX0
2	diverter knob	96774XX0
3	aerator cpl.	98998000
4	diverter	94037000
5	handle for cold water	98999XX0
6	color-ring for cold / hot water	96319000
7	handle escutcheon	98508XX0
8	cold cartridge	96351000
9	hot cartridge	96350000
10	handshower	28509XX1
11	screen washer	94246000
12	escutcheon for shower holder	98507XX0
13	shower holder, assy	96433XX0
14	hose	94148000
15	check valve (2)	94074000
16	flange	98501XX0
17	flange for handle	98991XX0
18	nut	98502000
19	flange chuck	97105000
20	nut	97584XX0
21	insert for shower holder	96942000
22	special tool	95158000
23	handle snap connector	94184000
24	spout escutcheon	98509XX0
25	special tool	98861000

XX = color

00 = chrome

82 = brushed nickel

# Cleaning Recommendation for Hansgrohe Products

Modern lavatory faucets, kitchen faucets, and showers consist of very different materials to comply with the needs of the market with regard to design and functionality. To avoid damage and returns, it is necessary to consider certain criteria when cleaning.

## Cleaning Materials for Faucets and Showers

Acids are a necessary ingredient of cleaning materials for removing lime, however please pay attention to the following points when cleaning faucets and showers:

- Only use cleaning materials which are explicitly intended for this type of application.
- Never use cleaning materials which contain hydrochloric, formic, phosphoric, or acetic acid, as they cause considerable damage.
- Never mix one cleaning material with another.
- Never use cleaning materials or appliances with an abrasive effect, such as unsuitable cleaning powders, sponge pads, or micro fiber cloths.

## Cleaning Instructions for Faucets and Showers

Please follow the cleaning material manufacturer's instructions. In addition, pay attention to the following points:

- Clean the faucets and showers as and when required
- Use the amount of cleaning product and the amount of time recommended by the manufacturer. Do not leave the cleaner on the fixture longer than necessary.
- Regular cleaning can prevent calcification.
- When using spray cleaners, spray first onto a soft cloth or sponge. Never spray directly onto the faucet as droplets can enter openings and gaps and cause damage.
- After cleaning, rinse thoroughly with clean water to remove any cleaner residue.

## Important

Residues of liquid soaps, shampoos, and shower foams can also cause damage, so rinse with clean water after using.

**Please note:** if the surface is already damaged, the effect of cleaning materials will cause further damage.

**Components with damaged surfaces must be replaced or injury could result.**

**Damage caused by improper treatment is not covered under the warranty.**

# Limited Lifetime Consumer Warranty

This product has been manufactured and tested to the highest quality standards by Hansgrohe, Inc. ("Hansgrohe"). This warranty is limited to Hansgrohe products which are purchased by a consumer in the United States after March 1, 1996, and installed in either the United States or Canada.

## WHO IS COVERED BY THE WARRANTY

This warranty extends to the original consumer purchaser only. This warranty is non-transferable.

## WHAT IS COVERED BY THE WARRANTY

This warranty covers only your Hansgrohe manufactured product. Hansgrohe warrants this product against defects in material or workmanship as follows: Hansgrohe will repair at no charge for parts only or, at its option, replace any product or part of the product that proves defective because of improper workmanship and/or material, under normal installation, use, service and maintenance. If Hansgrohe is unable to provide a replacement and repair is not practical or cannot be timely made, Hansgrohe may elect to refund the purchase price in exchange for the return of the product.

## LENGTH OF WARRANTY

Replacement or repaired parts of products will be covered for the term of this warranty as stated in the following two sentences. If you are a consumer who purchased the product for use primarily for personal, family, or household purposes, this warranty extends for as long as you own the product and the home in which the product is originally installed. If you purchased

the product for use primarily for any other purpose, including, without limitation, a commercial purpose, this warranty extends only (i) for 1 year, with respect to Hansgrohe and Commercial products, and (ii) for 5 years, with respect to AXOR products.

THIS WARRANTY DOES NOT COVER, AND HANSGROHE WILL NOT PAY FOR:

- A. Conditions, malfunctions or damage not resulting from defects in material or workmanship.
- B. Conditions, malfunctions or damage resulting from (1) normal wear and tear, improper installation, improper maintenance, misuse, abuse, negligence, accident or alteration, or (2) the use of abrasive or caustic cleaning agents or “no-rinse” cleaning products, or the use of the product in any manner contrary to the product instructions. (3) Conditions in the home such as excessive water pressure or corrosion.
- C. Labor or other expenses for the disconnection, deinstallation, or return of the product for warranty service, or for installation or reinstallation of the product (including but not limited to proper packaging and shipping costs), or for installation or reinstallation of the product.
- D. Accessories, connected materials and products, or related products not manufactured by Hansgrohe.

TO OBTAIN WARRANTY PARTS OR INFORMATION

Contact your Hansgrohe retailer, or contact Technical Service at:

Hansgrohe Inc.  
1492 Bluegrass Lakes Parkway  
Alpharetta GA 30004  
Toll-free (800) 334-0455.

In requesting warranty service, you will need to provide

- 1. The sales receipt or other evidence of the date and place of purchase.
- 2. A description of the problem.
- 3. Delivery of the product or the defective part, postage prepaid and carefully packed and insured, to Hansgrohe Inc. 1492 Bluegrass Lakes Parkway, Alpharetta, Georgia 30004, Attention: Technical Service, if required by Hansgrohe.

When warranty service is completed, any repaired or replacement product or part will be returned to you postage prepaid.

EXCLUSIONS AND LIMITATIONS

REPAIR OR REPLACEMENT (OR, IN LIMITED CIRCUMSTANCES, REFUND OF THE PURCHASE PRICE) AS PROVIDED UNDER THIS WARRANTY IS THE EXCLUSIVE REMEDY OF THE PURCHASER. HANSGROHE NEITHER ASSUMES NOR AUTHORIZES ANY PERSON TO CREATE FOR IT ANY OBLIGATION OR LIABILITY IN CONNECTION WITH THIS PRODUCT.

HANSGROHE SHALL NOT BE LIABLE TO PURCHASER OR ANY PERSON FOR ANY INCIDENTAL, SPECIAL, OR CONSEQUENTIAL DAMAGES, ARISING OUT OF BREACH OF THIS WARRANTY OR ANY IMPLIED WARRANTY (INCLUDING MERCHANTABILITY).

Some States do not allow the exclusion or limitation of incidental or consequential damages, so the above limitation or exclusion may not apply to you. This warranty gives you specific legal rights, and you may have other rights which vary from State to State. You may be required by law to give us a reasonable opportunity to correct or cure any failure to comply before you can bring any action in court against us under the Magnuson-Moss Warranty Act.

PRODUCT INSTRUCTIONS AND QUESTIONS

Upon purchase or prior to installation, please carefully inspect your Hansgrohe product for any damage or visible defect. Prior to installing, always carefully study the enclosed instructions on the proper installation and the care and maintenance of the product. If you have questions at any time about the use, installation, or performance of your Hansgrohe product, or this warranty, please call or write to us or call us toll-free at 800 334 0455.

**hansgrohe**

Hansgrohe, Inc. • 1490 Bluegrass Lakes Parkway • Alpharetta, GA 30004  
Tel. 770-360-9880 • Fax 770-360-9887

**[www.hansgrohe-usa.com](http://www.hansgrohe-usa.com)**