

Product Features

- For use with Axor Starck thermostatic shower system
- Multiple units can be connected or used separately
- 3/4" NPT female inlets

Code Compliance

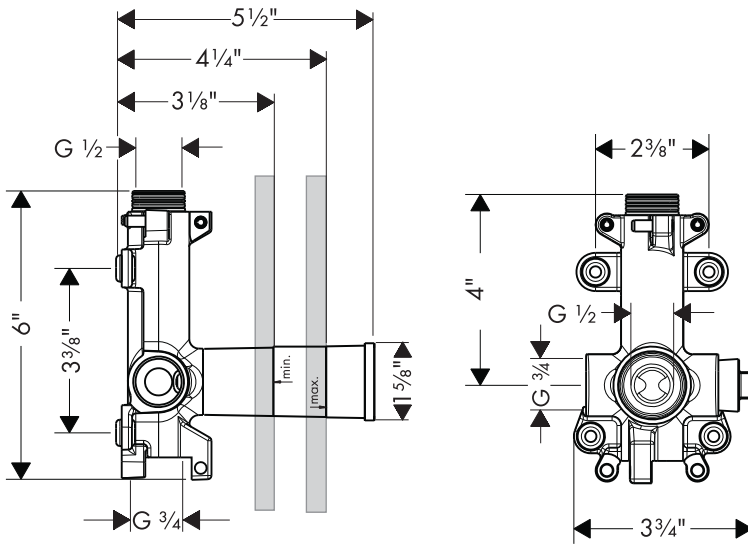
This unit meets or exceeds the following (when installed with trim kit):

- ASME A112.18.1
- CSA B125.1
- Listed by IAPMO

Required Accessories

Axor Starck shower module

28491XX1



The measurements shown are for reference only.

Products and specifications shown are subject to change without notice.

Specification sheet revised 2/2010