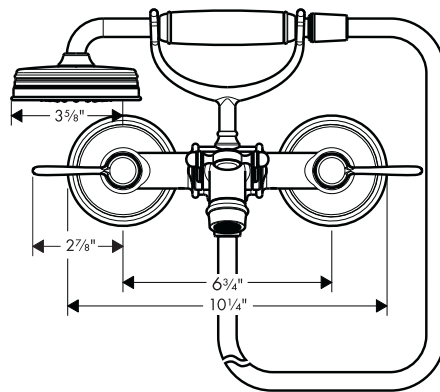
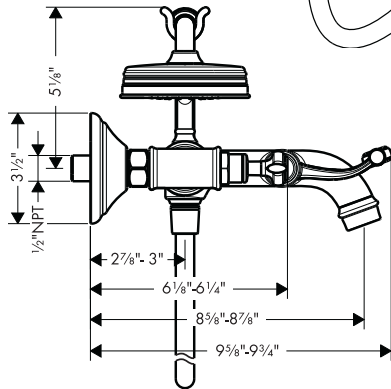
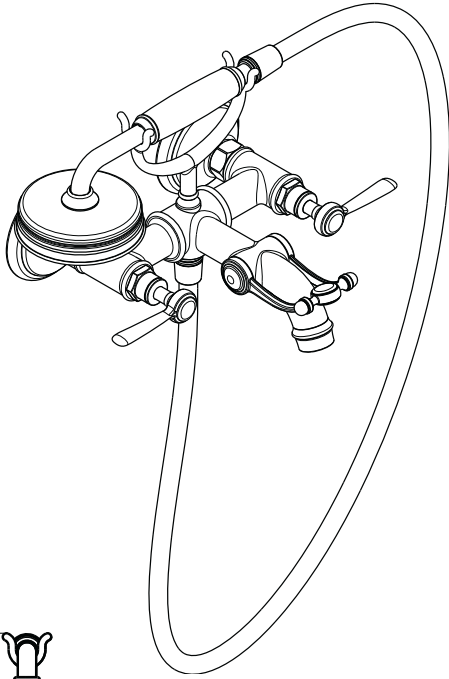


Axor Montreux Tub Filler, Wall Mounted

16551xx1



Product Features

- Traditional styling
- Solid brass
- Cross handles with ceramic cartridges
- Tub spout with diverter, 5.8 GPM @ 44 psi
- Includes Axor Montreux handshower with AIR injection, 2.5 GPM

Code Compliance

This unit meets or exceeds the following:

- ASME A112.18.1
- CSA B125.1
- Listed by IAPMO

Available Finishes

Chrome	16551001
Brushed Nickel	16551821
Polished Nickel	16551831

Optional Accessories

Remote pressure balance valve if required by local code	13418181
--	----------

The measurements shown are for reference only.

Products and specifications shown are subject to change without notice.

Specification sheet revised 10/2010