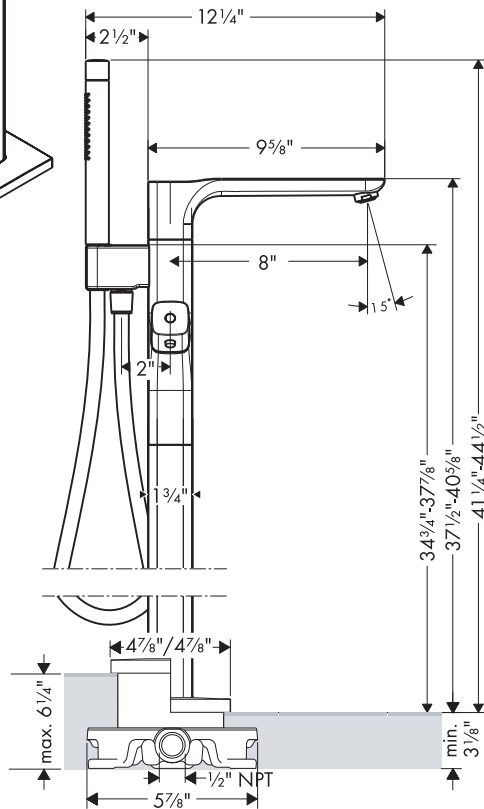
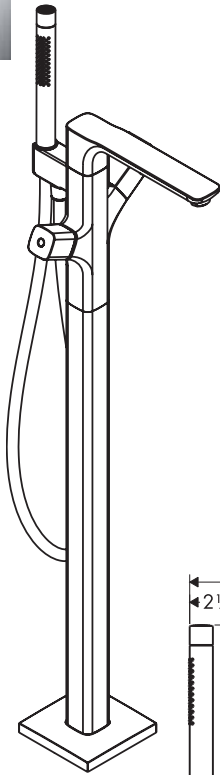


# Axor Urquiola Thermostatic Bath Mixer, Floor Standing

11422XX1

**QUICK  
CLEAN**



The measurements shown are for reference only.

Products and specifications shown are subject to change without notice.

Specification sheet revised 3/2010

## Product Features

- Thermostatic temperature control
- High temperature limit stop may be set to comply with local plumbing codes
- Ceramic shutoff and diverter valve
- Max. flow rate 5.3 gpm @ 44 psi
- Axor Starck handshower with normal and soft spray modes, Quick Clean self-cleaning system, 2.5 gpm
- 45" Techniflex handshower hose

## Available Finishes

Chrome	11422001
Polished Nickel	11422831

## Required Accessories

Rough valve	10452181
-------------	----------