

## Product Features

- Ceramic cartridge with high temperature limit stop
- 2.2 gpm
- Aerator with pivot ball
- Includes pop-up drain

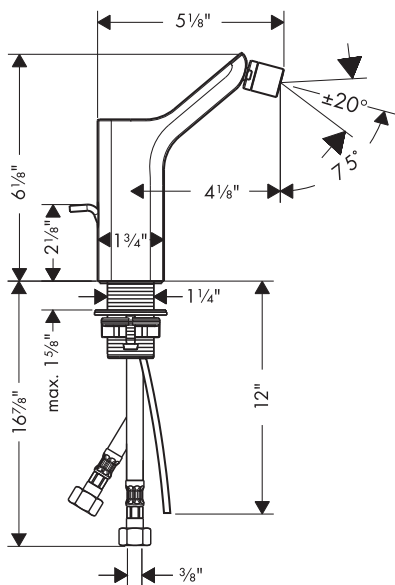
## Available Finishes

Chrome

11220XX1

Polished Nickel

11220831



The measurements shown are for reference only.

Products and specifications shown are subject to change without notice.

Specification sheet revised 2/2010