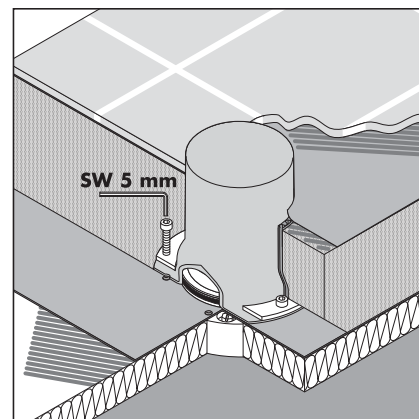
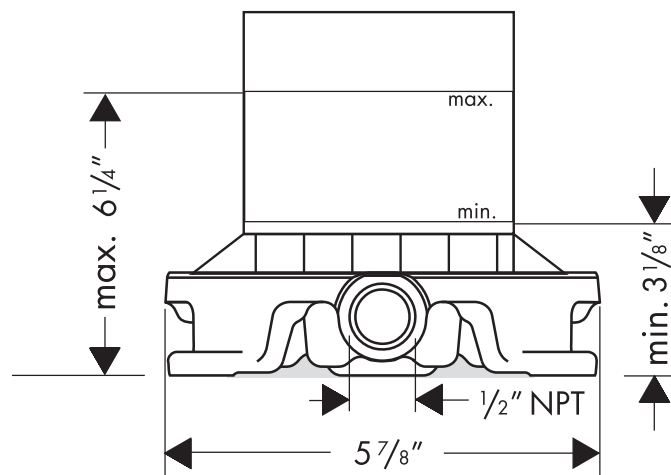
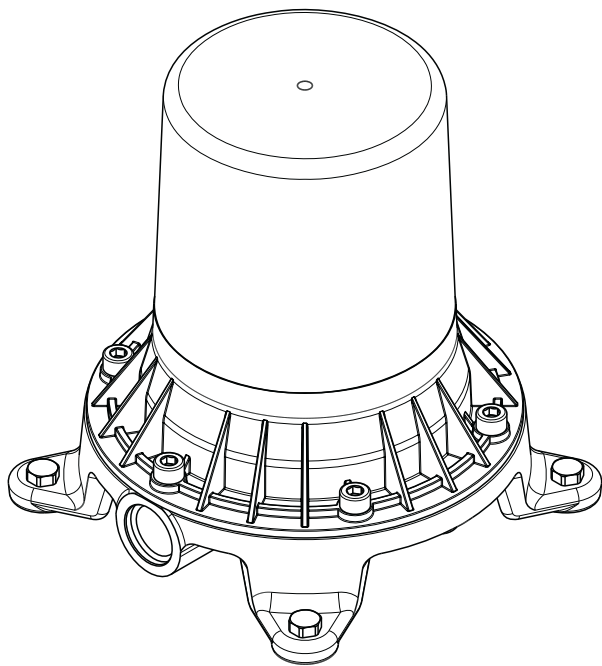


Axor Starck Free-standing Tub Filler Rough 10452181



Product Specification

For use with Axor Starck free-standing tub fillers 10456XX1, 10458XX1, and Axor Starck X 10406XX1

Operating pressure:	max. 145 psi
Recommended operating pressure:	14.5 - 72 psi
Hot water temperature:	max. 176° F*
Recommended hot water temperature:	120° F - 140° F*

1/2" NPT inlets

These tub fillers are not anti-scald. If required by local plumbing code, install remote pressure balance valve 13418181 to the hot and cold supplies within 6' of the rough.

*Please know and follow all applicable local plumbing codes when setting the temperature on the water heater.