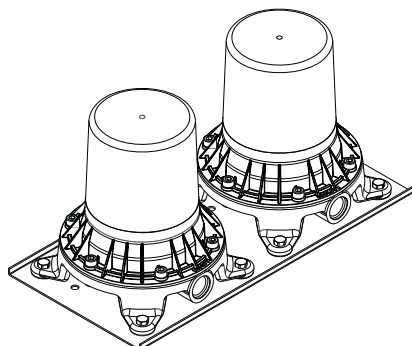


Axor Starck
10452181



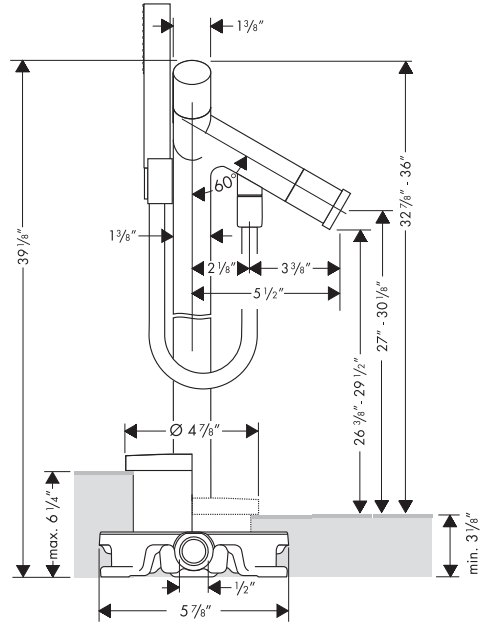
Axor Montreux
16549181

hangrohe

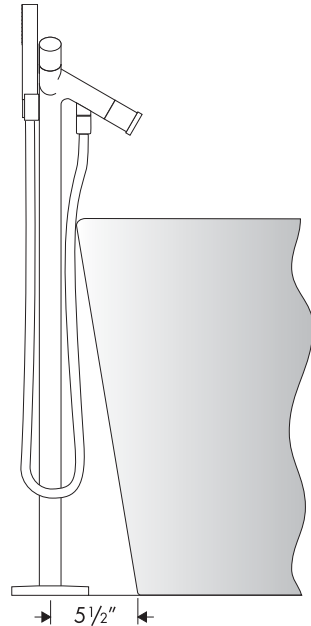
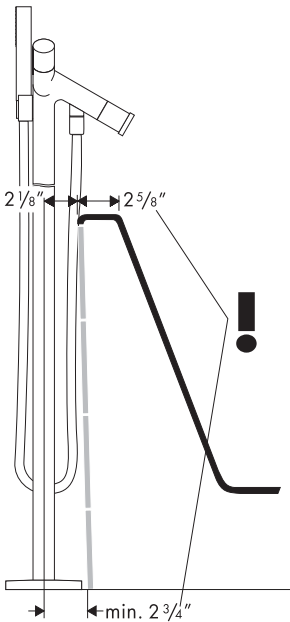
Axor Starck Free-standing Tub Filler Rough 10452181

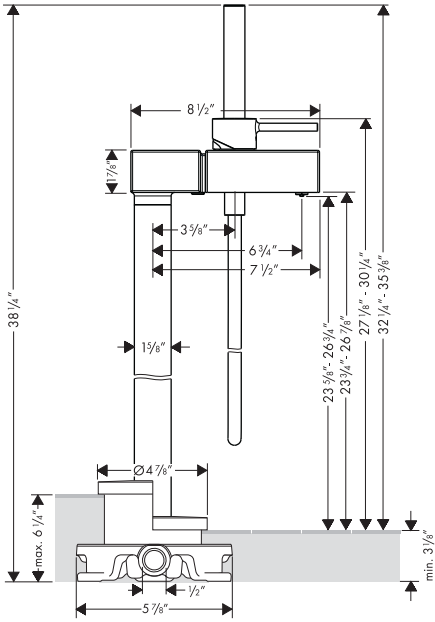
This rough is for use with Axor Starck free-standing tub fillers 10458XX1, 10456XX1 and 10406XX1.

If using Axor Montreux Rough 16549181, go to page 8.

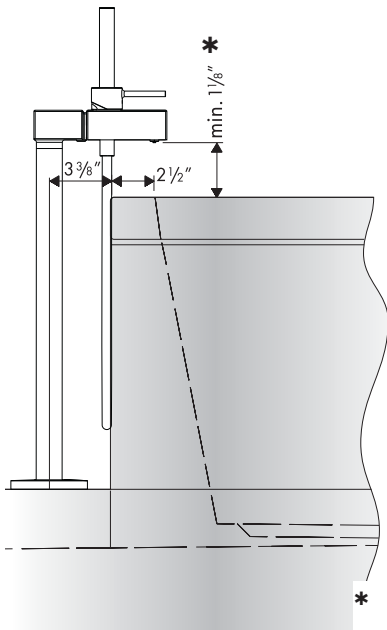
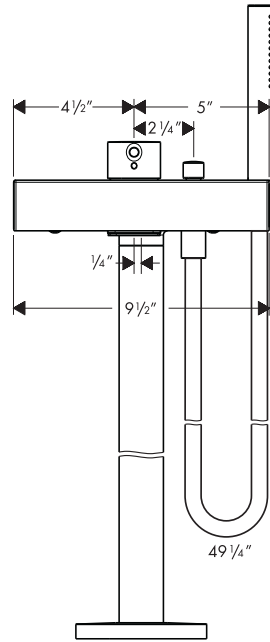


Starck 10458XX1





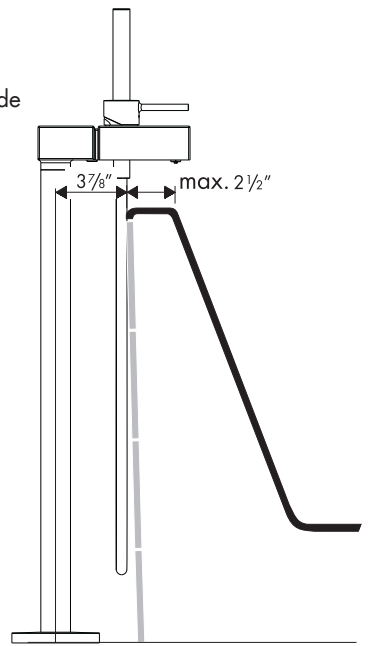
Starck 10406001



* If clearance is less than 1 1/8",
order extension 97686000.

**Tub shown: Duravit
Philippe Starck
Starck X**

Freestanding tub with outside
covering.



Technical Data

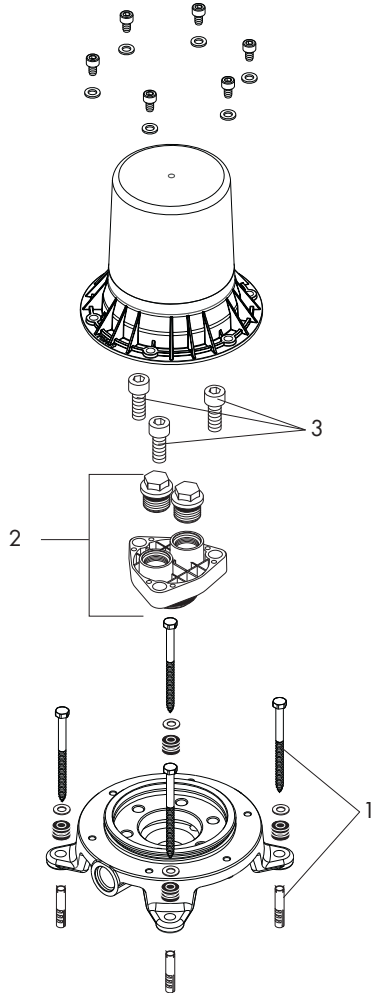
Operating pressure:	max. 145 psi
Recommended operating pressure:	14.5 - 72 psi
Test pressure:	232 psi
Hot water temperature:	max. 176° F*
Recommended hot water temperature:	120° F - 140° F*
1/2" NPT inlets	

These tub fillers are not anti-scald. If required by local plumbing code, install remote pressure balance valve 13418181 to the hot and cold supplies within 6' of the rough.

*Please know and follow all applicable local plumbing codes when setting the temperature on the water heater. In Massachusetts, the water heater may be set no higher than 112°F.

Replacement Parts

1	mounting kit	96260000
2	flush unit	96459000
3	hex socket screw	97670000

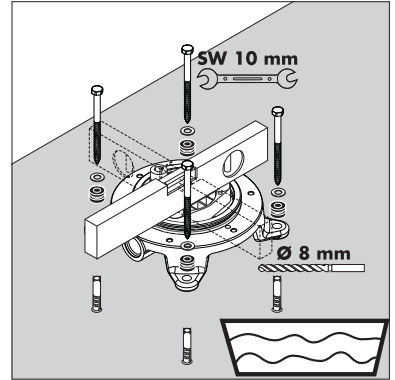


Installation - 10452181

Use the rough as a template to mark the positions of the screw holes in the subfloor. Use an 8 mm bit to drill the holes.

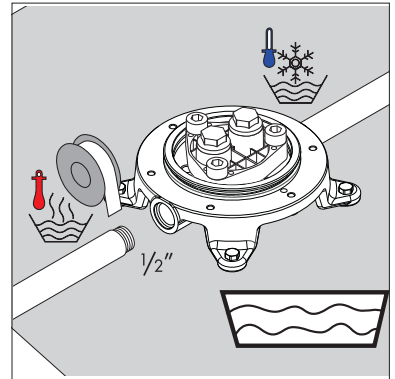
Install the anchors (included).

Install the screws with the noise reducers and washers. Make sure that the rough is level.



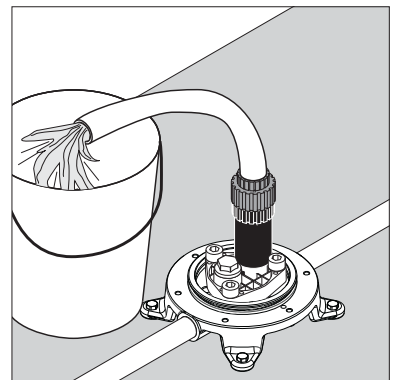
Wrap the threads on the supplies with Teflon tape.

Install the supplies in the rough. For proper operation of the tub filler, the hot supply should be installed on the left, the cold supply on the right.

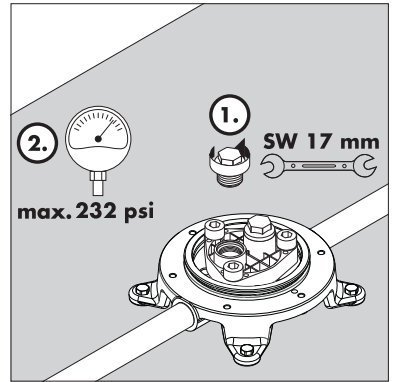


Remove the flush insert plug from the cold water side of the rough using a 17 mm wrench. Install a hose bibb and a hose. Turn on the water and allow the line to flush thoroughly.

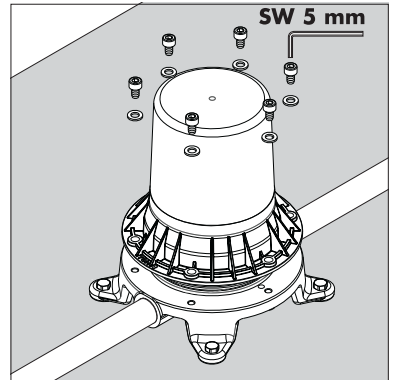
Repeat the flushing procedure on the hot water side.



Replace and tighten the plugs (1). Pressure test the unit (2).

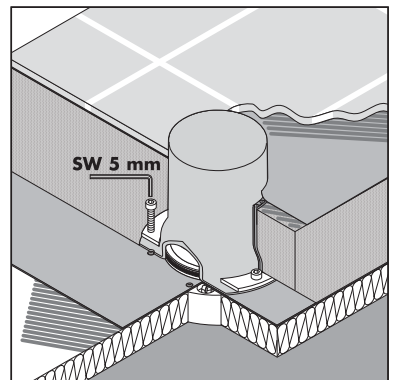


Install the plaster shield. Use a 5 mm Allen wrench to tighten the screws.



Install the flooring material. Please know and follow all applicable local codes regarding waterproofing.

To insure proper fit of the trim, the surface of the finished floor must fall somewhere between the "minimum" and "maximum" markings on the plaster shield.



Technical Data

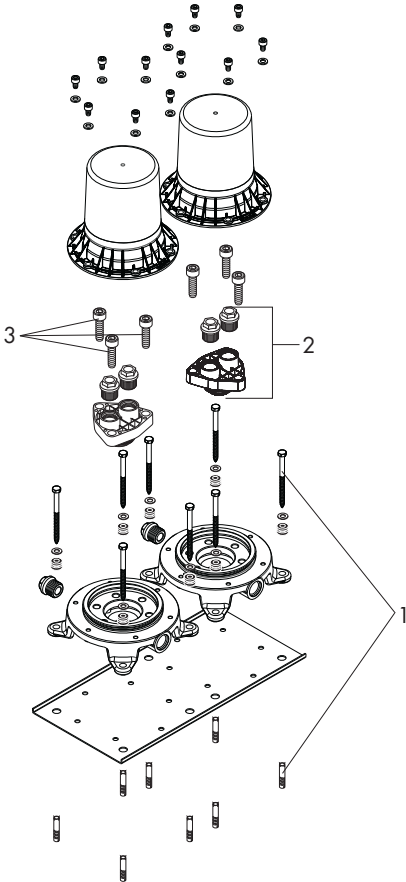
Operating pressure:	max. 145 psi
Recommended operating pressure:	14.5 - 72 psi
Test pressure:	232 psi
Hot water temperature:	max. 176° F*
Recommended hot water temperature:	120° F - 140° F*

These tub fillers are not anti-scald. If required by local plumbing code, install remote pressure balance valve 13418181 to the hot and cold supplies within 6' of the rough.

*Please know and follow all applicable local plumbing codes when setting the temperature on the water heater. In Massachusetts, the water heater may be set no higher than 112°F.

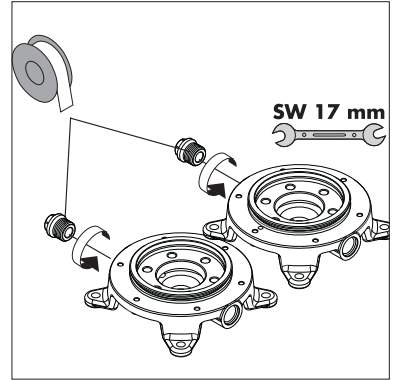
Replacement Parts

1	mounting kit	96260000
2	flush insert	96459000
3	hex socket screw	97670000



Installation - 16549181

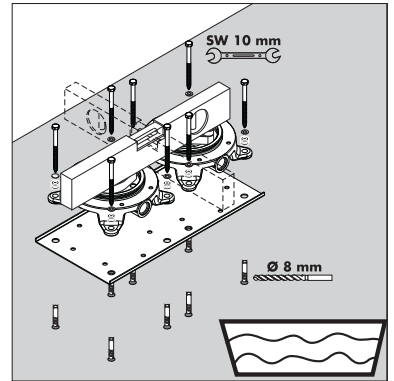
Wrap the threads on the two plugs with Teflon tape.
Install one plug on each rough.



Use the mounting plate as a template to mark the positions of the screw holes in the subfloor. Use an 8 mm bit to drill the holes.

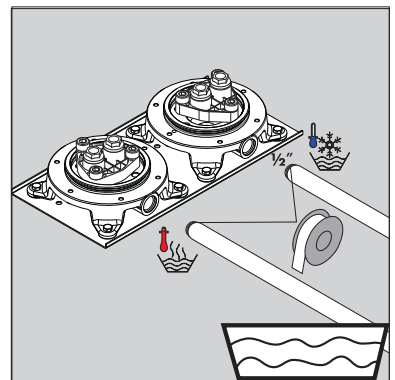
Install the anchors (included).

Install the screws with the noise reducers and washers.
Make sure that the roughs are level.



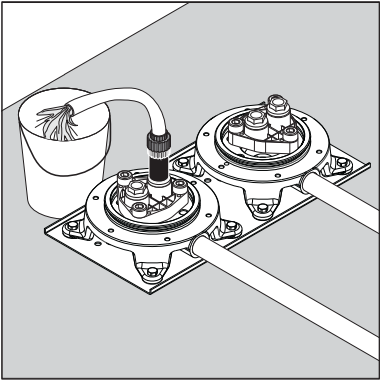
Wrap the threads on the supplies with Teflon tape.

Install the supplies in the roughs. For proper operation of the tub filler, the hot supply should be on the left, the cold supply on the right.

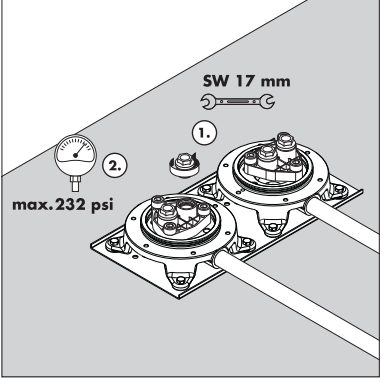


Remove the flush insert plug from the cold water side of the rough. Install a hose bibb and a hose. Turn on the water and allow the line to flush thoroughly.

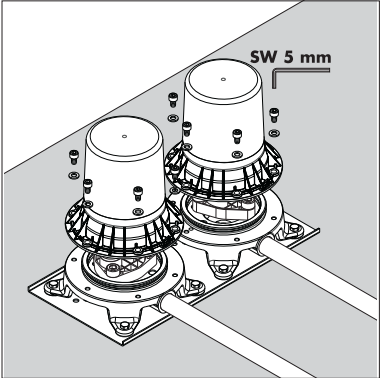
Repeat the flushing procedure on the hot water side.



Replace and tighten the plugs. Pressure test the unit.

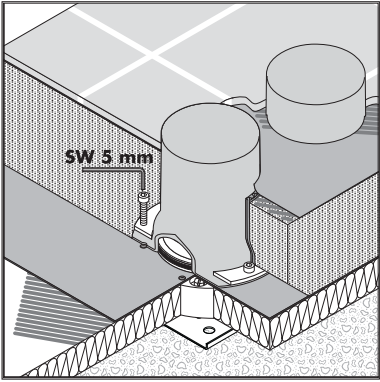


Install the plaster shields. Use a 5 mm Allen wrench to tighten the screws.



Install the flooring material. Please know and follow all applicable local codes regarding waterproofing.

To insure proper fit of the trim, the surface of the finished floor must fall somewhere between the "minimum" and "maximum" markings on the plaster shield.



Cleaning Recommendation for Hansgrohe Products

Modern lavatory faucets, kitchen faucets, and showers consist of very different materials to comply with the needs of the market with regard to design and functionality. To avoid damage and returns, it is necessary to consider certain criteria when cleaning.

Cleaning Materials for Faucets and Showers

Acids are a necessary ingredient of cleaning materials for removing lime, however please pay attention to the following points when cleaning faucets and showers:

- Only use cleaning materials which are explicitly intended for this type of application.
- Never use cleaning materials which contain hydrochloric, formic, phosphoric, or acetic acid, as they cause considerable damage.
- Never mix one cleaning material with another.
- Never use cleaning materials or appliances with an abrasive effect, such as unsuitable cleaning powders, sponge pads, or micro fiber cloths.

Cleaning Instructions for Faucets and Showers

Please follow the cleaning material manufacturer's instructions. In addition, pay attention to the following points:

- Clean the faucets and showers as and when required
- Use the amount of cleaning product and the amount of time recommended by the manufacturer. Do not leave the cleaner on the fixture longer than necessary.
- Regular cleaning can prevent calcification.
- When using spray cleaners, spray first onto a soft cloth or sponge. Never spray directly onto the faucet as droplets can enter openings and gaps and cause damage.
- After cleaning, rinse thoroughly with clean water to remove any cleaner residue.

Important

Residues of liquid soaps, shampoos, and shower foams can also cause damage, so rinse with clean water after using.

Please note: if the surface is already damaged, the effect of cleaning materials will cause further damage.

**Components with damaged surfaces must be replaced or injury could result.
Damage caused by improper treatment is not covered under the warranty.**

Limited Lifetime Consumer Warranty

This product has been manufactured and tested to the highest quality standards by Hansgrohe, Inc. ("Hansgrohe"). This warranty is limited to Hansgrohe products which are purchased by a consumer in the United States after March 1, 1996, and installed in either the United States or Canada.

WHO IS COVERED BY THE WARRANTY

This warranty extends to the original consumer purchaser only. This warranty is non-transferable.

WHAT IS COVERED BY THE WARRANTY

This warranty covers only your Hansgrohe manufactured product. Hansgrohe warrants this product against defects in material or workmanship as follows: Hansgrohe will repair at no charge for parts only or, at its option, replace any product or part of the product that proves defective because of improper workmanship and/or material, under normal installation, use, service and maintenance. If Hansgrohe is unable to provide a replacement and repair is not practical or cannot be timely made, Hansgrohe may elect to refund the purchase price in exchange for the return of the product.

LENGTH OF WARRANTY

Replacement or repaired parts of products will be covered for the term of this warranty as stated in the following two sentences. If you are a consumer who purchased the product for use primarily for personal, family, or household purposes, this warranty extends for as long as you own the product and the home in which the product is originally installed. If you purchased the product for use primarily for any other purpose, including, without limitation, a commercial purpose, this warranty extends only (i) for 1 year, with respect to Hansgrohe and Commercial products, and (ii) for 5 years, with respect to AXOR products.

THIS WARRANTY DOES NOT COVER, AND HANSGROHE WILL NOT PAY FOR:

- A. Conditions, malfunctions or damage not resulting from defects in material or workmanship.
- B. Conditions, malfunctions or damage resulting from (1) normal wear and tear, improper installation, improper maintenance, misuse, abuse, negligence, accident or alteration, or (2) the use of abrasive or caustic cleaning agents or "no-rinse" cleaning products, or the use of the product in any manner contrary to the product instructions. (3) Conditions in the home such as excessive water pressure or corrosion.
- C. Labor or other expenses for the disconnection, deinstallation, or return of the product for warranty service, or for installation or reinstallation of the product (including but not limited to proper packaging and shipping costs), or for installation or reinstallation of the product.
- D. Accessories, connected materials and products, or related products not manufactured by Hansgrohe.

TO OBTAIN WARRANTY PARTS OR INFORMATION

Contact your Hansgrohe retailer, or contact Technical Service at:

Hansgrohe Inc.
1492 Bluegrass Lakes Parkway
Alpharetta GA 30004
Toll-free (800) 334-0455.

In requesting warranty service, you will need to provide

1. The sales receipt or other evidence of the date and place of purchase.
2. A description of the problem.
3. Delivery of the product or the defective part, postage prepaid and carefully packed and insured, to Hansgrohe Inc. 1492 Bluegrass Lakes Parkway, Alpharetta, Georgia 30004, Attention: Technical Service, if required by Hansgrohe.

When warranty service is completed, any repaired or replacement product or part will be returned to you postage prepaid.

EXCLUSIONS AND LIMITATIONS

REPAIR OR REPLACEMENT (OR, IN LIMITED CIRCUMSTANCES, REFUND OF THE PURCHASE PRICE) AS PROVIDED UNDER THIS WARRANTY IS THE EXCLUSIVE REMEDY OF THE PURCHASER. HANSGROHE NEITHER ASSUMES NOR AUTHORIZES ANY PERSON TO CREATE FOR IT ANY OBLIGATION OR LIABILITY IN CONNECTION WITH THIS PRODUCT.

HANSGROHE SHALL NOT BE LIABLE TO PURCHASER OR ANY PERSON FOR ANY INCIDENTAL, SPECIAL, OR CONSEQUENTIAL DAMAGES, ARISING OUT OF BREACH OF THIS WARRANTY OR ANY IMPLIED WARRANTY (INCLUDING MERCHANTABILITY).

Some States do not allow the exclusion or limitation of incidental or consequential damages, so the above limitation or exclusion may not apply to you. This warranty gives you specific legal rights, and you may have other rights which vary from State to State. You may be required by law to give us a reasonable opportunity to correct or cure any failure to comply before you can bring any action in court against us under the Magnuson-Moss Warranty Act.

PRODUCT INSTRUCTIONS AND QUESTIONS

Upon purchase or prior to installation, please carefully inspect your Hansgrohe product for any damage or visible defect. Prior to installing, always carefully study the enclosed instructions on the proper installation and the care and maintenance of the product. If you have questions at any time about the use, installation, or performance of your Hansgrohe product, or this warranty, please call or write to us or call us toll-free at 800 334 0455.

hansgrohe

Hansgrohe, Inc. • 1490 Bluegrass Lakes Parkway • Alpharetta, GA 30004
Tel. 770 360-9880 • Fax 770 360 9887

www.hansgrohe-USA.com