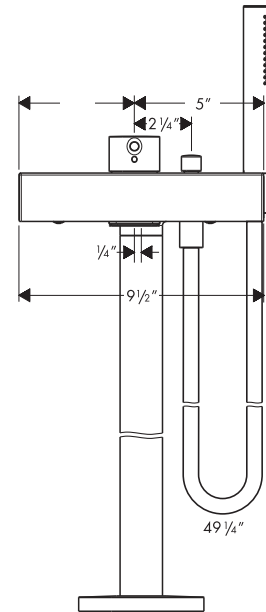
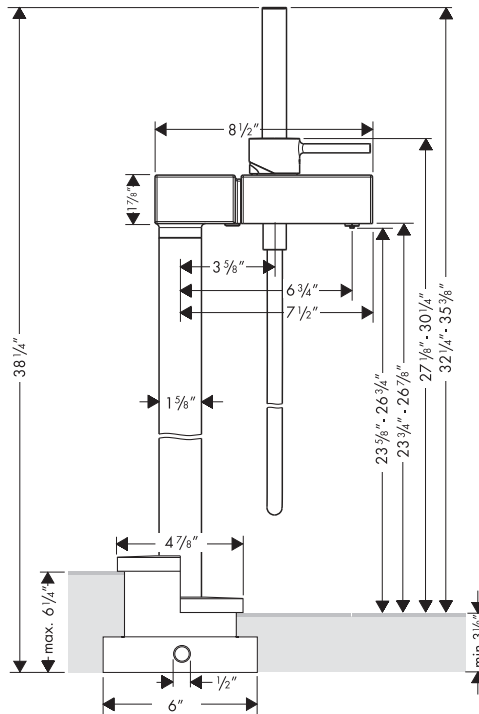
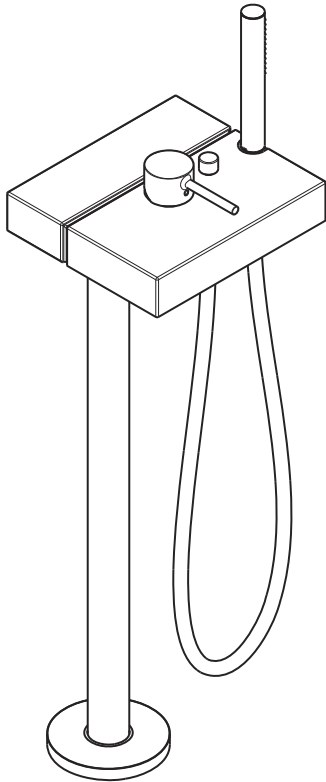


# Starck Free-Standing Tub Filler

10406001

Available in Chrome



## Product Specification

Mounts on floor beside tub

Requires rough-in 10452181 (purchased separately)

M2 Ceramic cartridge

Diverter for handshower

1/2" outlet for handshower

49 1/4" Starck handshower hose

tub spout

Not anti-scald - install with remote pressure balance valve 13418181 if required.

Backflow prevention furnished by check valve in the handspray outlet and automatically closing diverter

Maximum incoming water pressure

145 psi

Recommended water pressure

14.5 - 72 psi

Recommended max. incoming hot water temp.

120°F - 140°F\*

Flow rate of tub filler @ 45 psi

5.75 gpm

Flow rate of handshower

2.5 gpm

\*Know and follow all applicable plumbing codes when setting the temperature on the water heater.