

# HF3801

## INSTALLATION SHEET

### START FROM HERE

- .Make sure power is completely off at the fuse box
- .Have you fixture installed by a qualified licensed electrician
- .Prepare everything in a clear area
- .Wear gloves at all times during this installation
- .Read instructions carefully before you start assembly
- .Keep this instruction sheet for future reference

### Please Note:

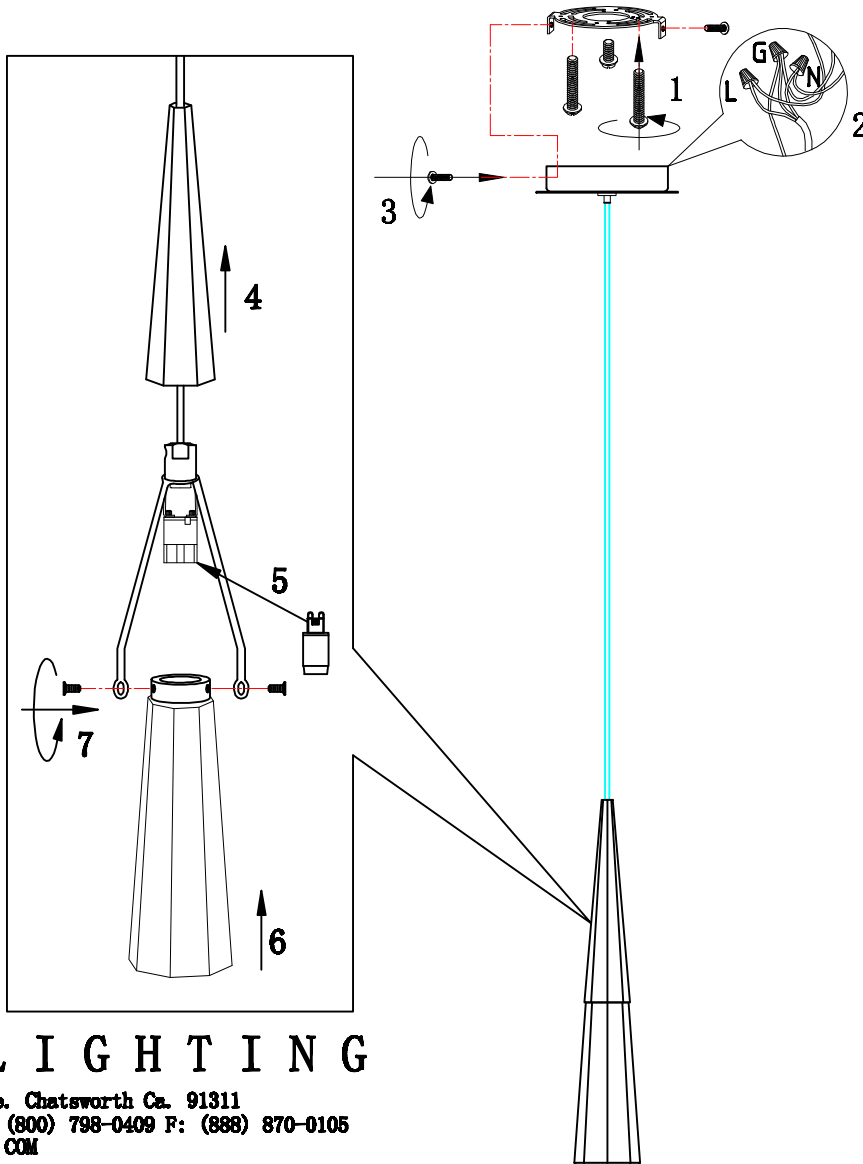
- All AVE LED fixtures come with pre-wired LED module(s)
- Unless instructed to do so, please do not touch any part of the LED module(s) as any unnecessary contact with the module could cause permanent damage
- For dimming, an ELV (Electronic Low Voltage) type of dimmer is required

Technical Support: 8186269149

### Specification of installation

In order to ensure safety use, please notice the following items:

- Read and understand the whole Specification.
- Suitable for the use of 110~130V and 60Hz.
- Please wear gloves as installment and avoid rot on the surface of plating.
- Must be installed on the fixed places and be checked annually.
- Please turn off the lighting source by soft cloth as cleaning prohibited to use of rotted detergent.
- Please connect with the local sales service center when there are any abnormality.



# AVE LIGHTING

9000 Fullbright Ave. Chatsworth Ca. 91311  
O: (818) 626-9149 ; (800) 798-0409 F: (888) 870-0105  
W: WWW.AVENUELIGHTING.COM