



## START FROM HERE

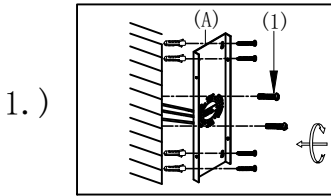
Fixture must be installed by a licensed electrician.  
 Prepare everything in a clear area.  
 Wear gloves at all times during this installation.  
 Read instructions carefully before you start assembly.  
 Keep this instruction sheet for future reference

# AV2918

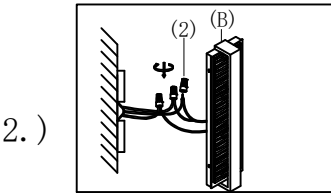
---

## WALL LIGHT

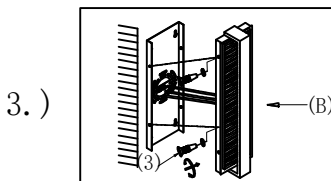
Suitable for wet location



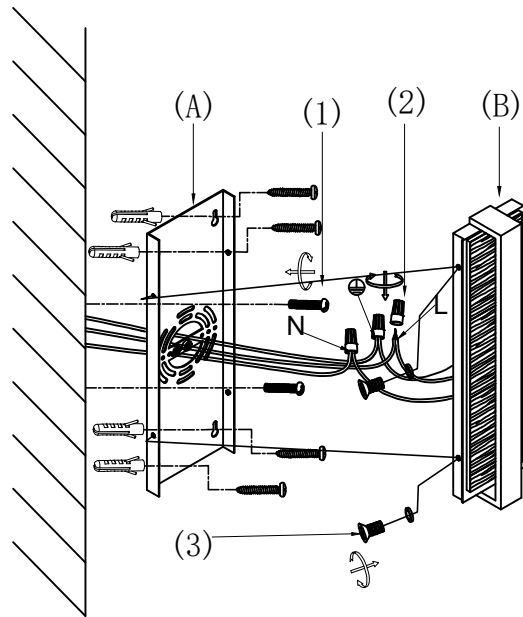
Step 1: Remove mounting bracket from fixture and install to electrical box.



Step 2: Use wire nuts supplied to wire fixture to wires in outlet box. Copper wire is for Ground.



Step 3: Place the fixture on the back plate, and secure with two screws on the sides to hold the fixture in place. Caulk around back-plate where fixture meets the wall using outdoor silicone sealant. Leave a small gap at the bottom to allow moisture to escape.



To prevent moisture from entering the outlet box and causing a short, seal around the top and side perimeter between the fixture and the wall surface with weather resistant caulking (see illustration a).

The space at bottom should be left un-caulked to prevent moisture build-up. Apply a small amount of weather resistant caulking around the side perimeter between the cap nut and mounting plate.

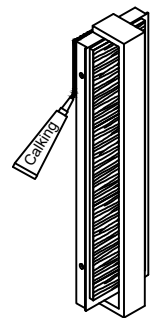


illustration a

Clean with a soft damp cloth.



[www.AvenueLighting.com](http://www.AvenueLighting.com)