

# 3260 WALK-IN BATHTUB 32" x 60"

## Key Attributes

Walk-in Type: ..... Walk-in  
 Material: ..... Acrylic  
 Soaker Weight: ..... 140 lbs  
 Jetted Weight: ..... 180 lbs  
 Average Fill Capacity\*: ..... 60-70 gal  
 \*Estimated with occupant inside. May vary based on occupant's volume.

## Required Electrical

Air Bath or Whirlpool..... 1x 15 amp GFCI  
 Whirlpool w/ Inline Heater..... 1x 20 amp GFCI  
 Whirlpool & Air Jetted..... 1x 20 amp GFCI  
 Soaker..... n/a

## Service 110v

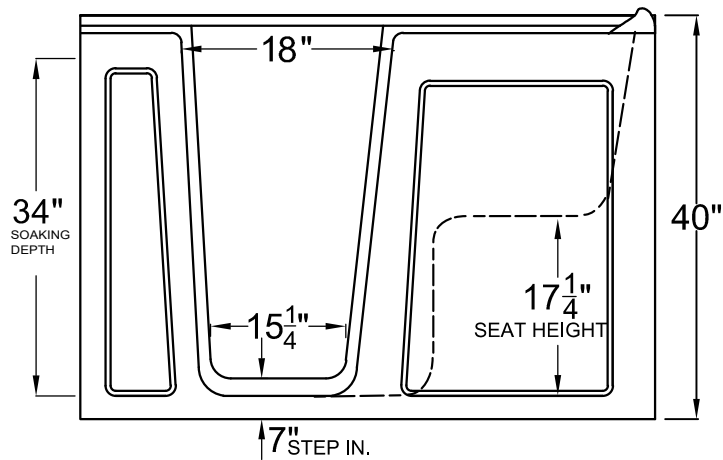
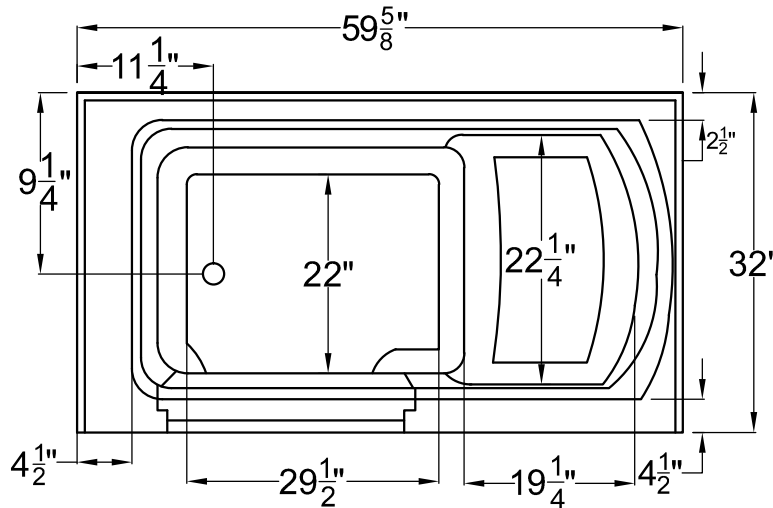
## Available Therapy Systems

3260\*\*S ..... Non-Jetted Soaking  
 3260\*\*H ..... Whirlpool Jetted  
 3260\*\*A ..... Air Jetted  
 3260\*\*D ..... Whirlpool & Air Jetted

## Key Measurements (inches)

Overall Outer: ..... 59.625 x 32 x 40  
 Interior Width: ..... 25  
 Standing Area: ..... 29.5 x 22  
 Seat Width: ..... 22.25  
 Seat Height: ..... 17.25  
 Soaking Depth: ..... 34  
 Drain to Side Wall: ..... 11.25  
 Drain to Back Wall: ..... 9.25  
 Step-in Height: ..... 7  
 Door Clearance: ..... 14.5  
 Faucet Deck: ..... 4.5  
 Tile Flange: ..... 1  
 Extension Kit: ..... n/a

It is vital that tub is completely level with all leveling feet touching the floor for the door, seal and drain to work properly.



**Compliance:** Uniform Plumbing Code  
 UPC®; International Plumbing Code IPC®;  
 ADA

**Standards:** ASME A112.19.15; CSA C22.2  
 No. 218.2-15; UL 1795, 5th Edition Issued  
 September 02, 2016 including revisions  
 through August 25, 2017

**Certified:** UPC, EGS

- **IMPORTANT!** TEST THE TUB'S DRAIN AND JETS (if any) BEFORE PERMANENT INSTALLATION!
- **INSPECT THE TUB WHEN RECEIVED!** Report any damages or missing parts within 5 business days of delivery date.
- Before ordering or installing, please consider future access to equipment.
- **Please measure tub on-site before building tub surrounding!**
- Jet, pump & blower locations are predetermined and cannot be changed.
- Tub door must remain closed when not in use.
- Please note that installer(s) must be certified or warranty will be voided.
- Measurements are subject to a +/- .5" variance and subject to change without notice. Measurements here in supersede all other published specs prior to publication date shown below.
- Inline heater (if included) is designed to maintain water temperature during operation. It will not heat cold water to desired bathing temperature.
- Product must be registered for warranty activation. See user manual or visit SWCORP.com/register for more information.