

3471A FREESTANDING

Key Attributes

Shape: ROUNDED
 Material: ACRYLIC
 Soaker Weight: 115 lbs
 Jetted Weight: 145 lbs
 Average Fill Capacity*: 50-60 gal
 *Estimated with occupant inside. May vary based on occupant's volume.

Required Electrical

Air Bath or Whirlpool..... 1x 15 amp GFCI
 Whirlpool w/ Inline Heater..... 1x 20 amp GFCI
 Whirlpool & Air Jetted..... 1x 20 amp GFCI
 Soaker..... n/a

Service 110v

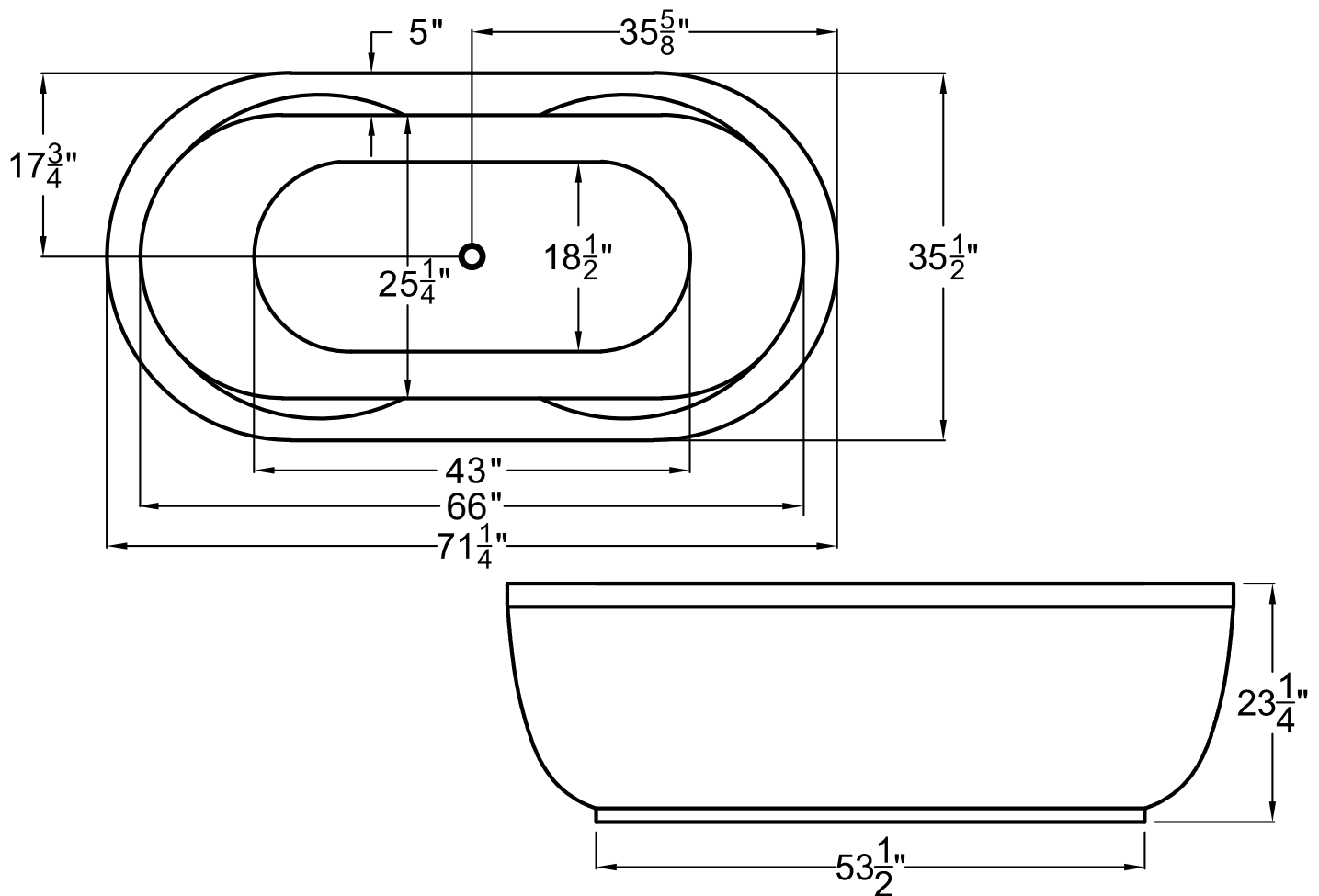
Available Therapy Systems

3471A(S)..... Non-Jetted Soaking
 n/a..... Whirlpool Jetted
 n/a..... Air Jetted
 n/a..... Whirlpool & Air Jetted
 n/a..... Whirlpool & Air Jetted Deluxe

Key Measurements (inches)

Overall Outer: 71.25 L x 35.5 W x 23.25 H
 Overall Interior: 66 L x 25.25 W x 17.625 H
 Interior Base: 43 L x 18.5 W
 Built-in Seat: n/a
 Soaking Depth: 13.625
 Drain to Side Wall: 35.625
 Drain to Nearest Wall: 17.75
 Lip Size: n/a
 Deck Space: 5
 Tile Flange:..... n/a
 Arm Rest: n/a

It is vital that tub is completely level for drain to work properly.



- **IMPORTANT!** TEST THE TUB'S DRAIN AND JETS (if any) BEFORE PERMANENT INSTALLATION!
- **INSPECT THE TUB WHEN RECEIVED!** Report any damages or missing parts within 5 business days of delivery date.
- Before ordering or installing, please consider future access to equipment.
- **Please measure tub on-site before building tub surrounding!**
- Jet, pump & blower locations are predetermined and cannot be changed.
- Tub door must remain closed when not in use.

- Please note that installer(s) must be certified or warranty will be voided.
- Measurements are subject to a +/- .5" variance and subject to change without notice. Measurements here in supersede all other published specs prior to publication date shown below.
- Inline heater (if included) is designed to maintain water temperature during operation. It will not heat cold water to desired bathing temperature.
- Product must be registered for warranty activation. See user manual or visit SWCORP.com/register for more information.