

# 3871B FREESTANDING

## Key Attributes

Shape: ..... ROUNDED  
 Material: ..... ACRYLIC  
 Soaker Weight: ..... 105 lbs  
 Jetted Weight: ..... 135 lbs  
 Average Fill Capacity\*: ..... 50-60 gal  
 \*Estimated with occupant inside. May vary based on occupant's volume.

## Required Electrical

Air Bath or Whirlpool..... 1x 15 amp GFCI  
 Whirlpool w/ Inline Heater..... 1x 20 amp GFCI  
 Whirlpool & Air Jetted..... 1x 20 amp GFCI  
 Soaker..... n/a

## Service 110v

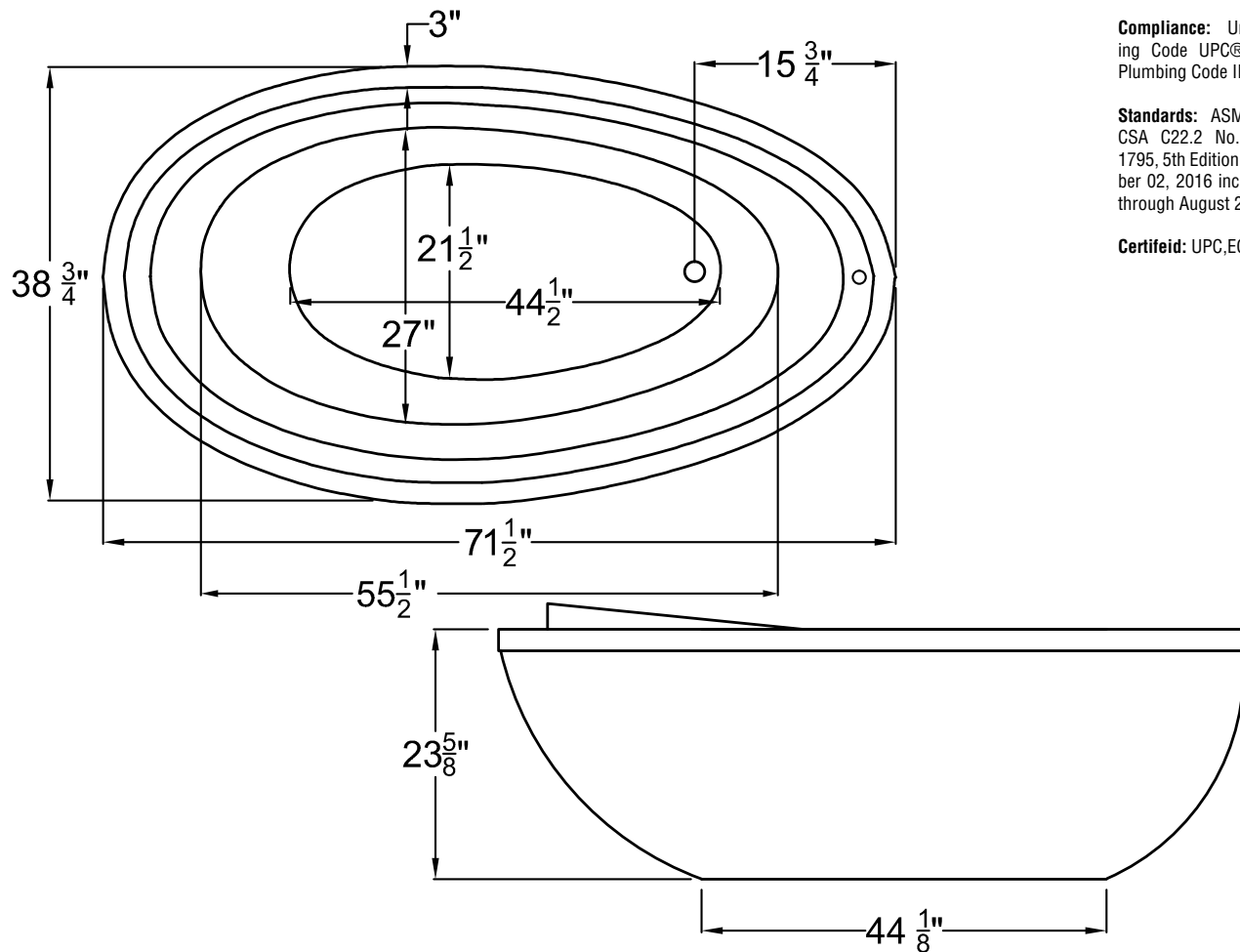
## Available Therapy Systems

3871B(S)..... Non-Jetted Soaking  
 3871BW..... Whirlpool Jetted  
 3871BA ..... Air Jetted  
 n/a..... Whirlpool & Air Jetted  
 n/a..... Whirlpool & Air Jetted Deluxe

## Key Measurements (inches)

Overall Outer: ..... **71.5 L x 38.75 W x 23.625 H**  
 Overall Interior: ..... **55.5 L x 27 W x 20 H**  
 Interior Base: ..... **44.5 L x 21.5 W**  
 Built-in Seat: ..... n/a  
 Soaking Depth: ..... 15  
 Drain to Side Wall: ..... 19.375  
 Drain to Nearest Wall: .... 15.75  
 Lip Size: ..... n/a  
 Deck Space: ..... 3  
 Tile Flange:..... n/a  
 Arm Rest: ..... n/a

It is vital that tub is completely level for drain to work properly.



**Compliance:** Uniform Plumbing Code UPC®; International Plumbing Code IPC®; ADA

**Standards:** ASME A112.19.15; CSA C22.2 No. 218.2-15; UL 1795, 5th Edition Issued September 02, 2016 including revisions through August 25, 2017

**Certified:** UPC, EGS

- **IMPORTANT!** TEST THE TUB'S DRAIN AND JETS (if any) BEFORE PERMANENT INSTALLATION!
- **INSPECT THE TUB WHEN RECEIVED!** Report any damages or missing parts within 5 business days of delivery date.
- Before ordering or installing, please consider future access to equipment.
- **Please measure tub on-site before building tub surrounding!**
- Jet, pump & blower locations are predetermined and cannot be changed.
- Tub door must remain closed when not in use.
- Please note that installer(s) must be certified or warranty will be voided.
- Measurements are subject to a +/- .5" variance and subject to change without notice. Measurements here in supersede all other published specs prior to publication date shown below.
- Inline heater (if included) is designed to maintain water temperature during operation. It will not heat cold water to desired bathing temperature.
- Product must be registered for warranty activation. See user manual or visit SWCORP.com/register for more information.