

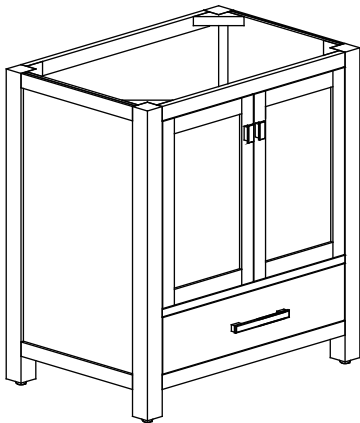
SUGGESTED TOOLS AND MATERIALS / OUTILS ET MATÉRIAUX PROPOSÉES



Tape Measure / Mètre à ruban

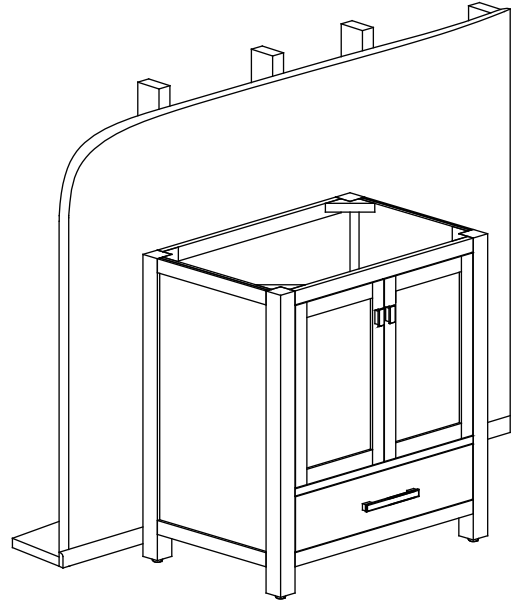
INSTALLATION INSTRUCTIONS / Les instructions d'installation

1



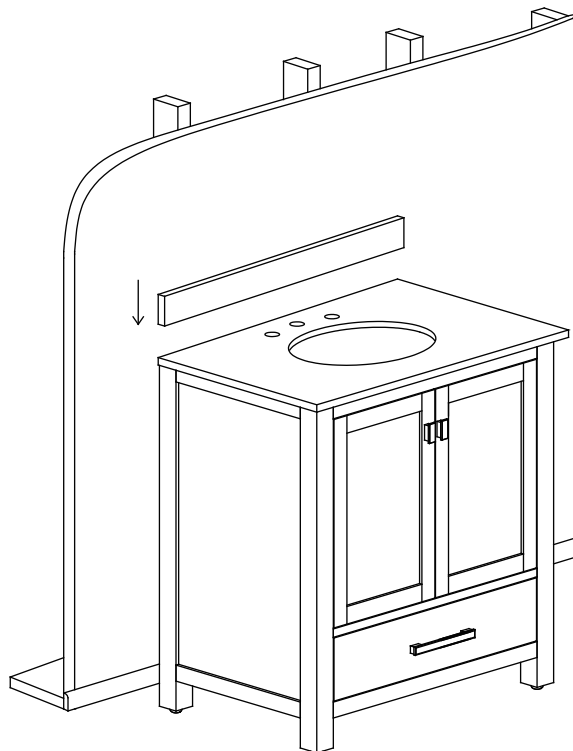
Remove vanity from box and examine vanity for any defects or damage.

2



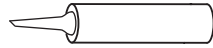
Carefully place vanity against wall.

3



Install vanity top according to manufacturer's directions.

SUGGESTED TOOLS AND MATERIALS



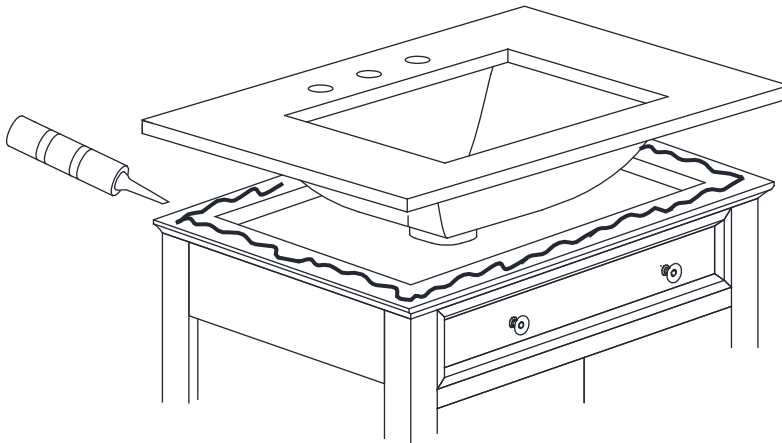
Sealant



Tape Measure

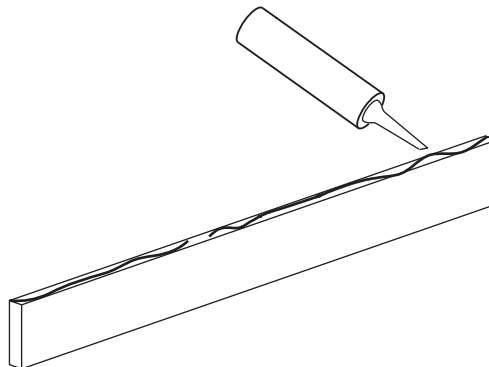
VANITY TOP INSTALLATION

1



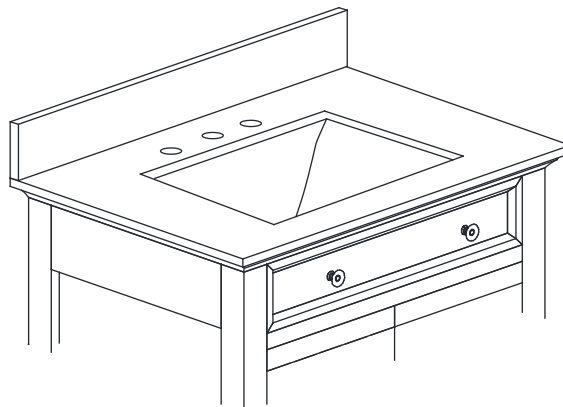
Apply bead of quality sealant evenly along the top of the vanity.

2



Apply silicone sealant evenly along the bottom and backside of back splash.

3



Finally, place the bottom side of back splash with sealant onto the countertop and check alignment of back splash. Adjust the leg levelers as needed