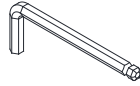


SUGGESTED TOOLS AND MATERIALS / OUTILS ET MATÉRIAUX SUGGÉRÉ



Tape Measure / mètre à ruban

PARTS INCLUDED / PIÈCES INCLUSES



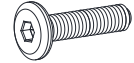
1x



6x



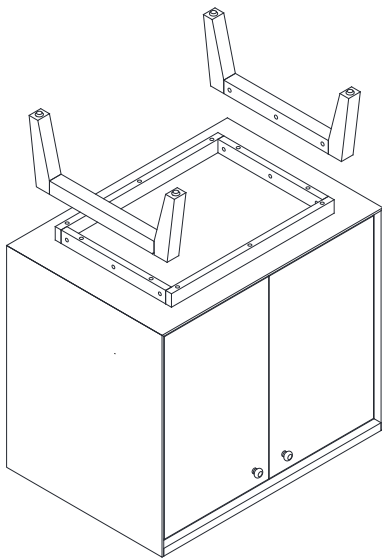
6x



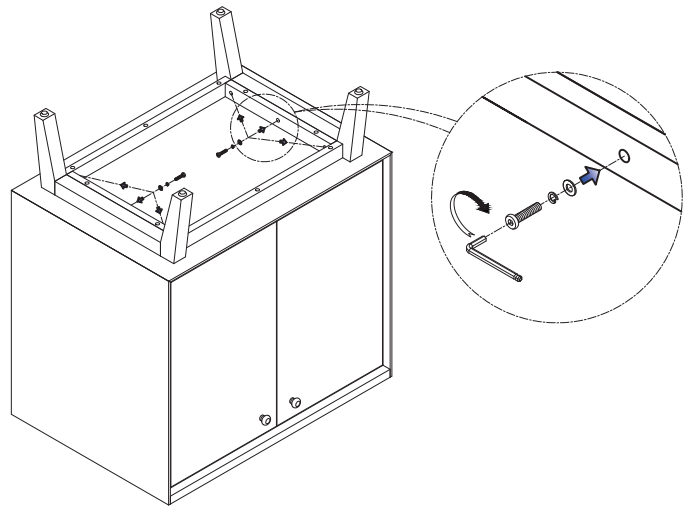
6x

INSTALLATION INSTRUCTIONS / LES INSTRUCTIONS D'INSTALLATION

1



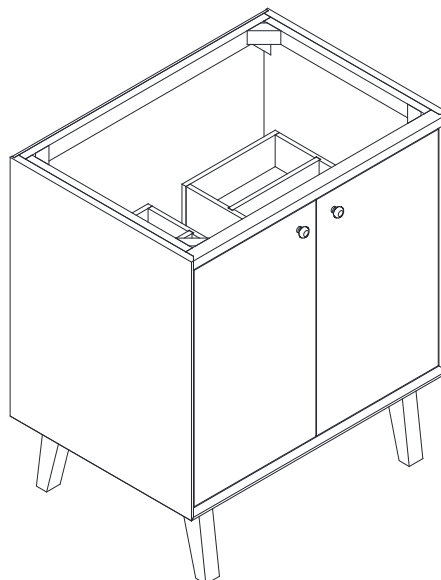
2



Remove vanity and foot from boxes and examine for any defects or damage.
Retirez la vanité et pied de la boîte et examiner pour les défauts ou les dommages.

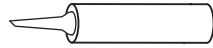
Please assemble this item on a clean, soft surface floor to prevent damage.
Veillez assembler cet article sur un sol propre et doux pour éviter tout dommage.

3



Finished. Install vanity top according to manufacturer's directions.
Fini. Installez le dessus de vanité conformément aux instructions du fabricant.

SUGGESTED TOOLS AND MATERIALS



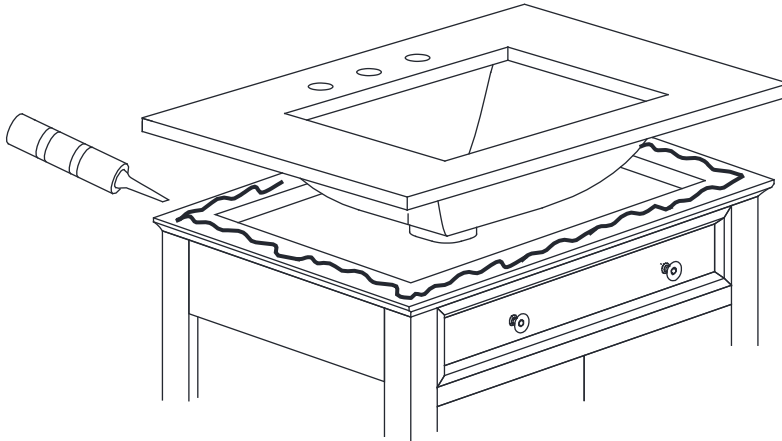
Sealant



Tape Measure

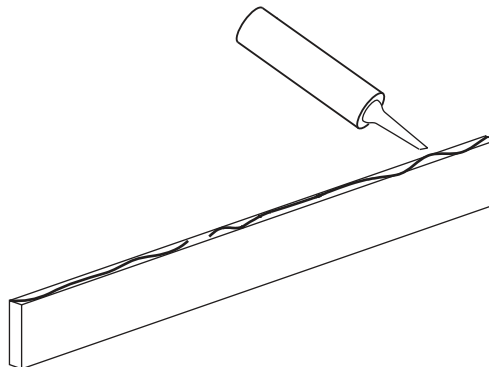
VANITY TOP INSTALLATION

1



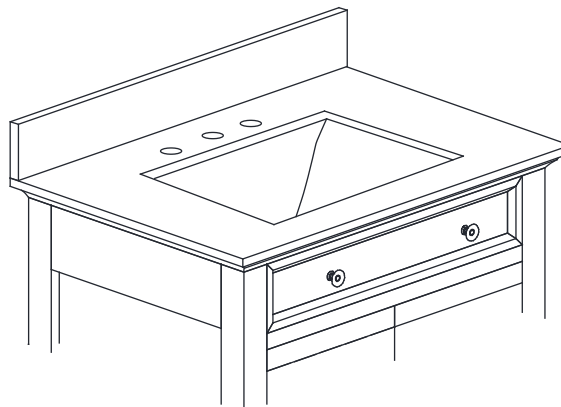
Apply bead of quality sealant evenly along the top of the vanity.

2



Apply silicone sealant evenly along the bottom and backside of back splash.

3



Finally, place the bottom side of back splash with sealant onto the countertop and check alignment of back splash. Adjust the leg levelers as needed