

Avanity

FWS1515CP / FWS1515BN
FWS1515ORB

Features

- Lead free brass body
- Ceramic cartridge
- Metal lever handle
- With plastic quick pop up drain
- Waters saving 1.2 gpm max flow rate (4.5 L/min)(ASME A112.18.1M)

Finishes

FWS1515CP	Chrome Finish
FWS1515BN	Brushed Nickel Finish
FWS1515ORB	Oil Rubbed Bronze Finish

Approvals:

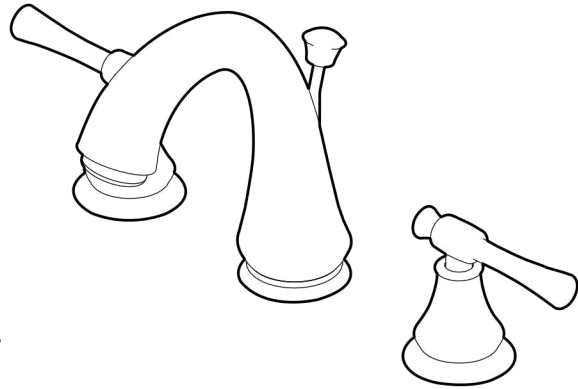
Meets or exceeds the following:

- ASME A112.18.1M
- IAPMO/UPC



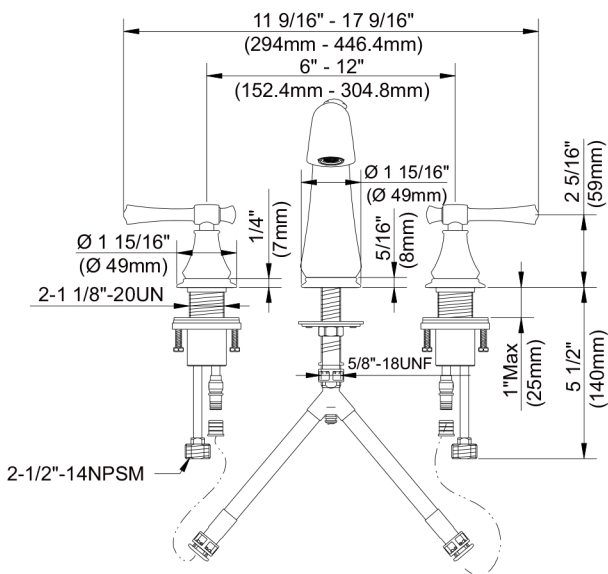
Nominal Dimension

- Handle opened
- 294L x 148.5D x 151H (mm)
- Handle closed
- 152.4L x 148.5D x 151H (mm)



Product Diagrams

Front



Side

